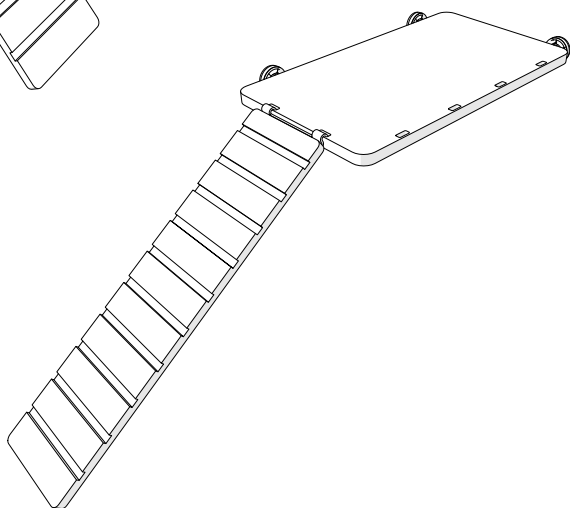


# HAMSTER HABITAT

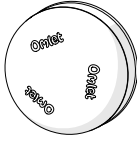
## Platform Assembly Guide



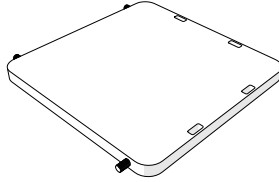
**Omlet**

## What you have received

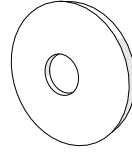
### 099.0057 Small Hamster Platform



**X3**  
Platform Locking Nut  
099.0027



**X1**  
Small Platform  
099.1160

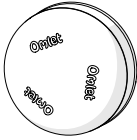


**X3**  
M6 Washer  
800.0467

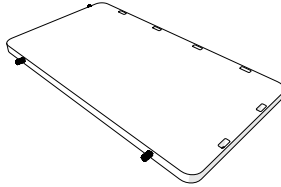
or

oder · ou · of · oppure · o · eller · lub

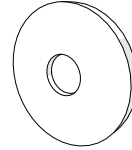
### 099.0058 Large Hamster Platform



**X3**  
Platform Locking Nut  
099.0027

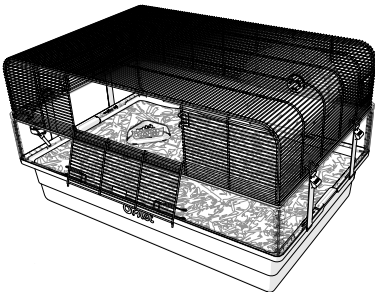


**X1**  
Large Platform  
099.1162

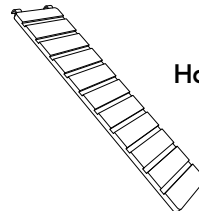


**X3**  
M6 Washer  
800.0467

## You will need...



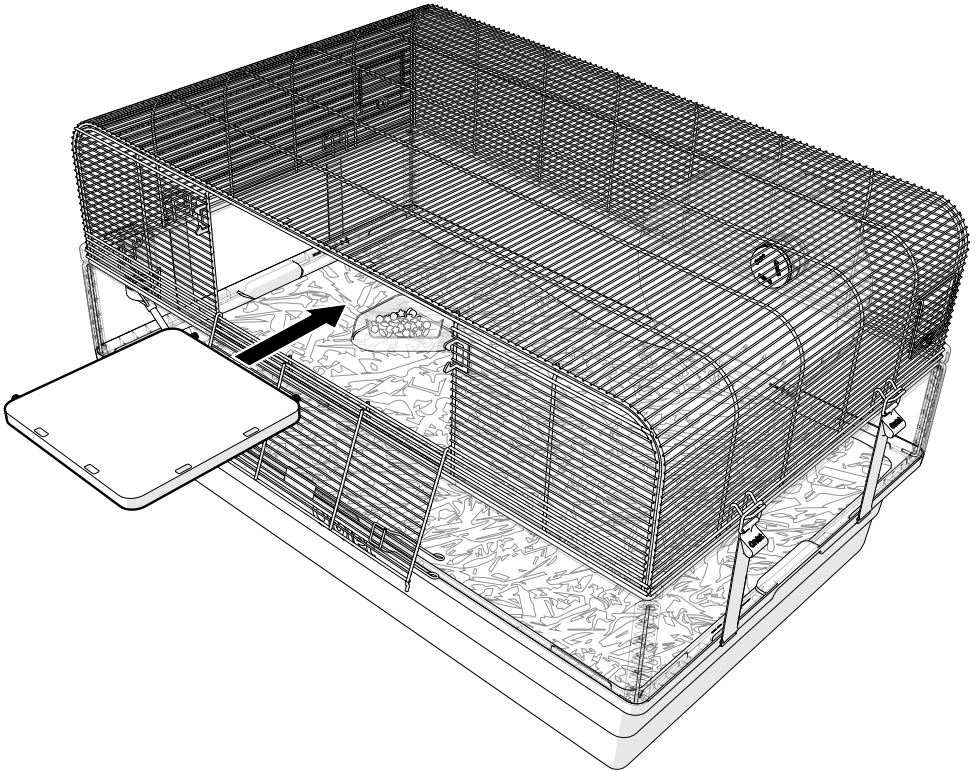
**Hamster Habitat**  
099.0035



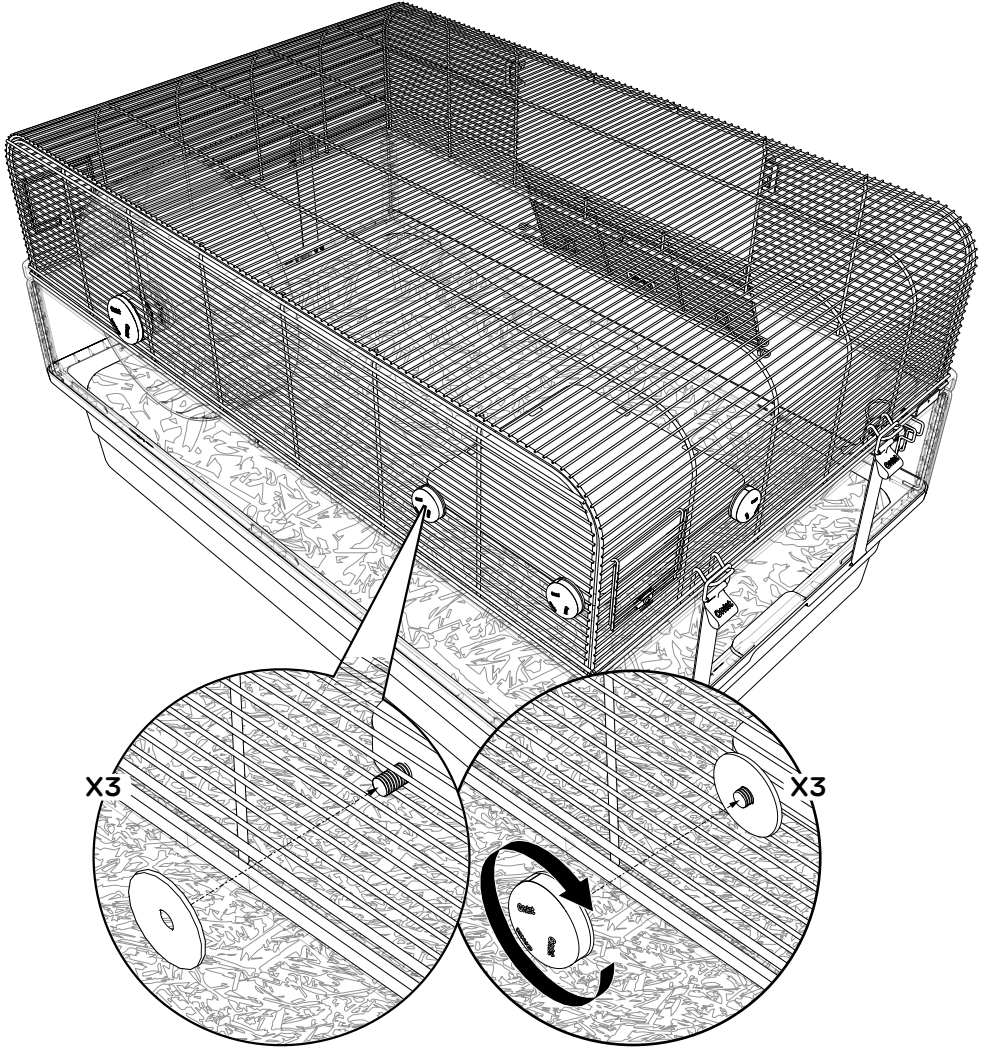
**Hamster Ramp**  
099.0034

1

Follow the same steps for a Large Platform



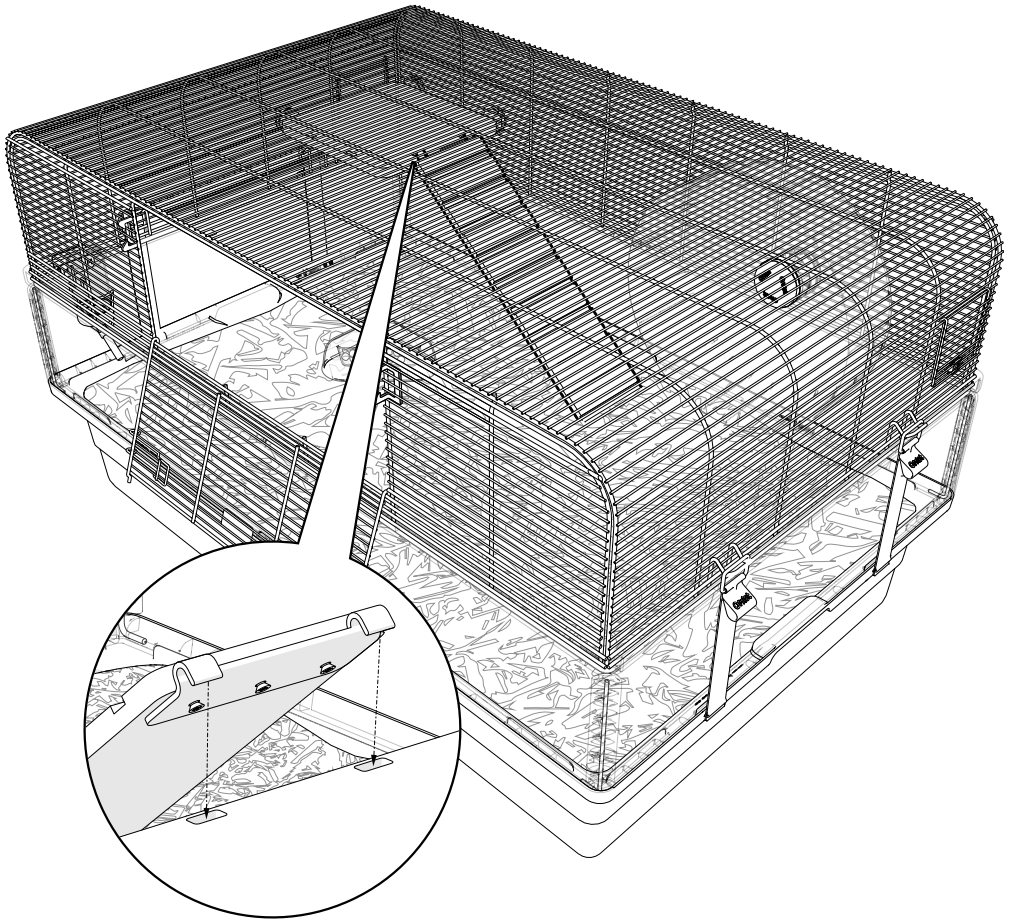
3



**Make sure platform is level with the mesh**





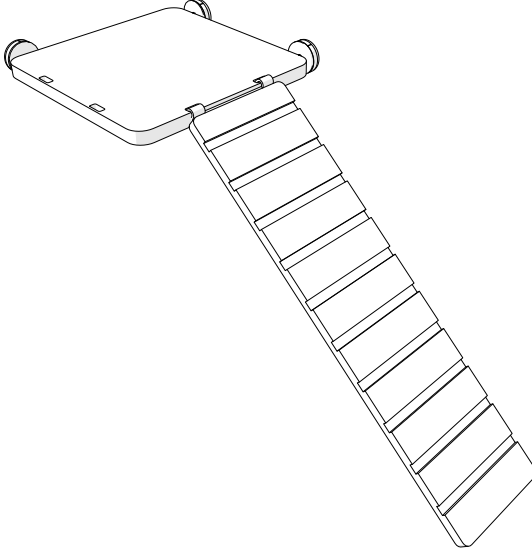


**Make sure the end of the ramp is well supported in bedding**

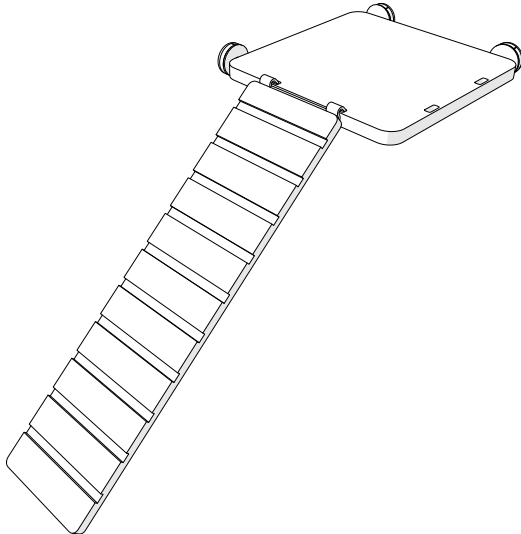


## **Small Platform Ramp Attachments - Options**

### **Option 1**

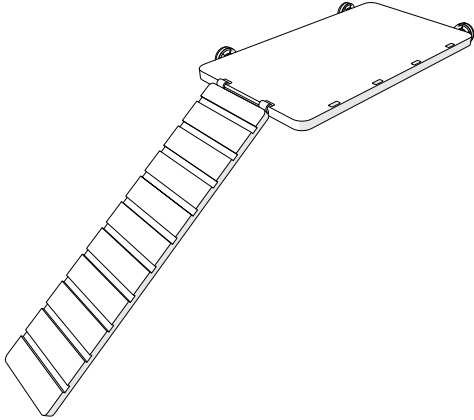


### **Option 2**

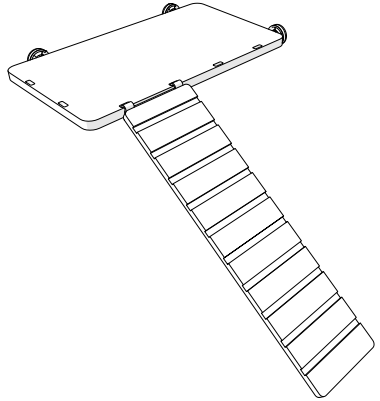


**Large Platform Ramp Attachments - Options**

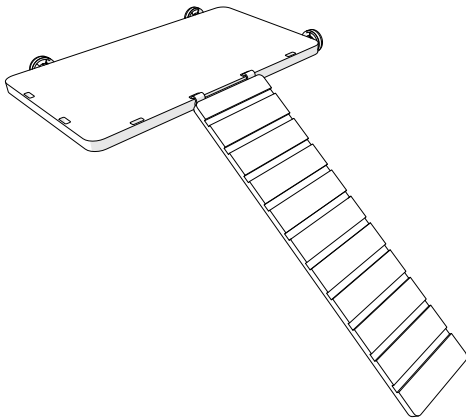
**Option 1**



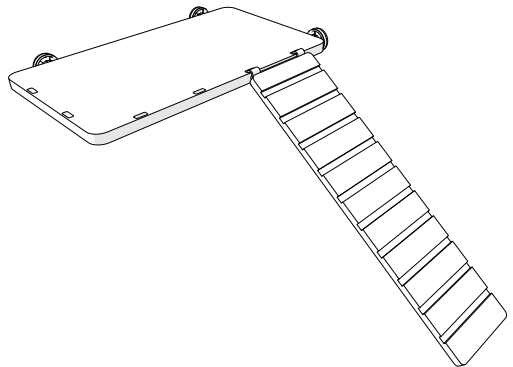
**Option 2**



**Option 3**



**Option 4**



## · DOs and DON'Ts ·

### DOs

- Follow the assembly instructions to make sure that the product works as intended.
- Use a non-abrasive pet safe disinfectant and soft cloth to clean your Hamster Platform.
- Always ensure the three connection points are affixed to the mesh.
- Remove items from platform before removing the mesh.

### DON'Ts

- Exceed 2kg load on the platforms.
- Overtighten the platform locking nuts.
- Submerge the platforms or ramp in water.
- Place heavy objects on the platforms or ramp that could fall and injure your animal.

# Omlet

© Copyright Omlet Ltd. 2024

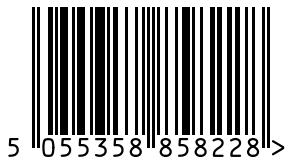
Design registered, patent pending

Omlet is a registered trademark of Hebe Studio Ltd.

820.3271\_Instruction Manual Hamster Habitat Platform\_22/04/24



Please  
reuse &  
recycle.



5 055358 858228 >