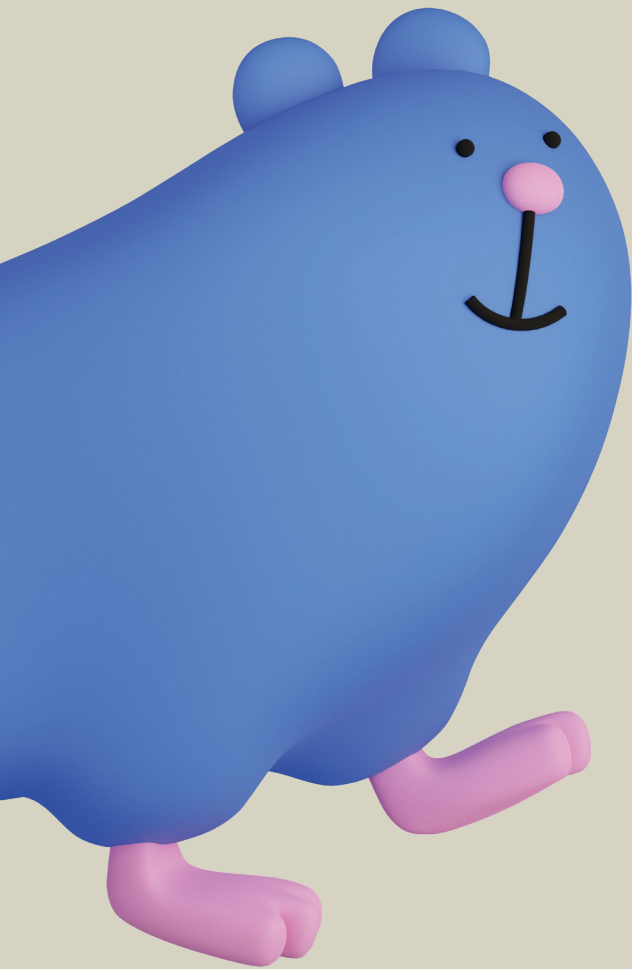


# HAMSTER HABITAT

Assembly guide



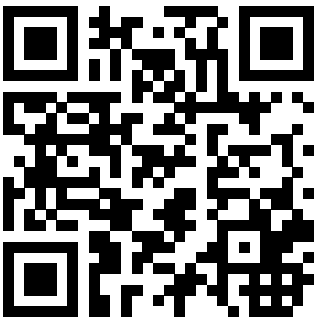
Omlet

# LET'S DO THIS

Some people love to build. Others, maybe not so much. We've made the process as intuitive and straightforward as possible, and as you progress, you should find that it all clicks together. The result will make it well worthwhile.



Watch our step by step video to get it right first go.



[www.omlet.us/how\\_to\\_build](http://www.omlet.us/how_to_build)

## What you have received

### 099.0035 Boxed Hamster Habitat



X1  
Tray  
099.1000



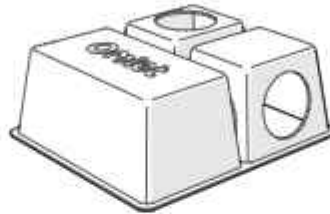
X1  
Mesh  
099.0001



X4  
Strap  
099.0060



X2  
Bedding Spill-Guard Brace  
099.1089



X2  
Chamber Hide  
099.1069



X1  
Water Bottle  
810.0303



X1  
Food Bowl - Plastic 810.0229



X1  
Bottle Holder  
099.1086



X1  
Wheel  
099.0023

### 099.0063 Boxed Bedding Spill-Guard



X2  
Bedding Spill-Guard - Long  
099.1091



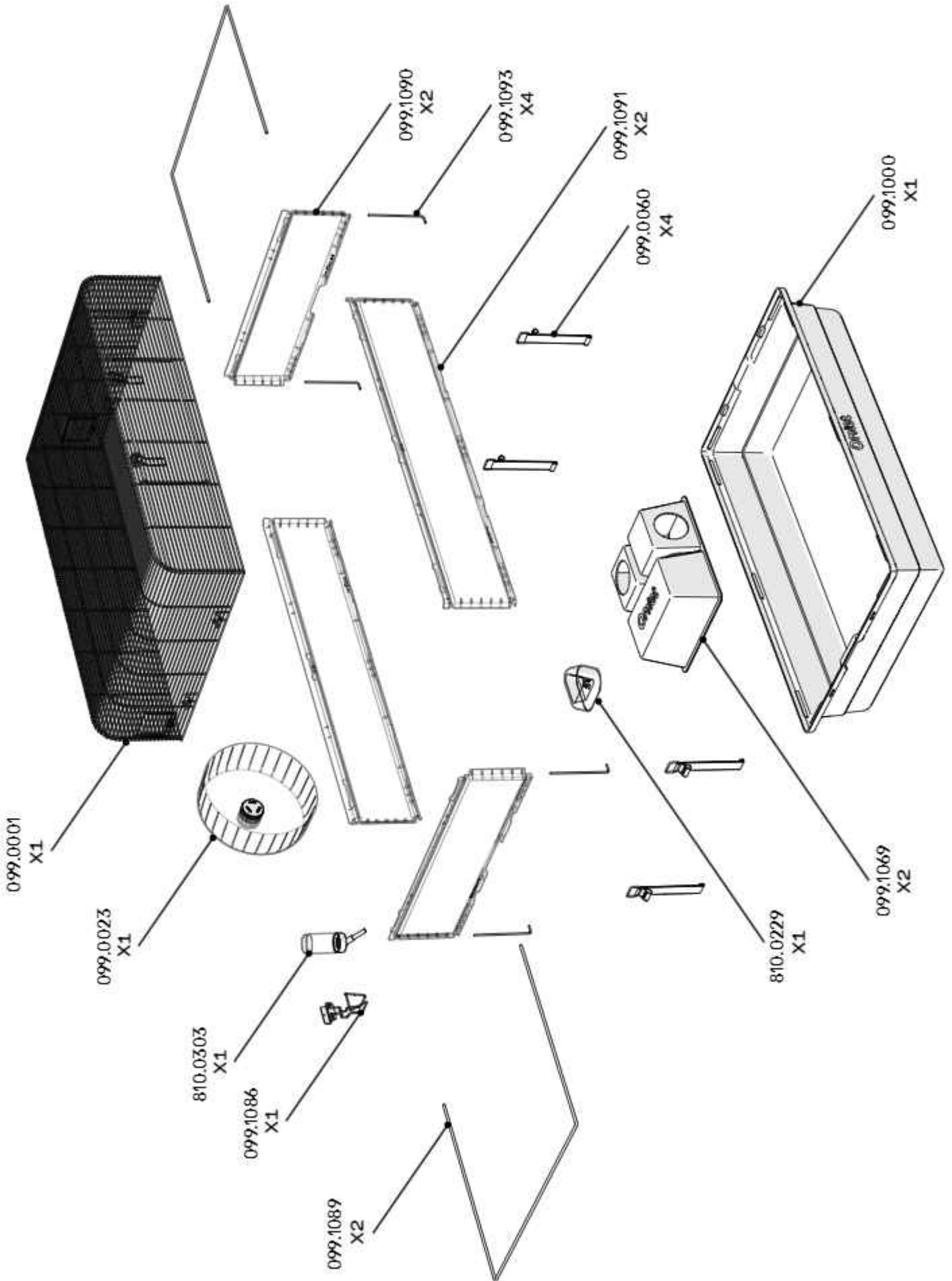
X2  
Bedding Spill-Guard - Short  
099.1090

### 099.0067 Boxed Bedding Spill-Guard Pins Pack



X4  
Bedding Spill-Guard Corner Pin  
099.1093

# Exploded Assembly



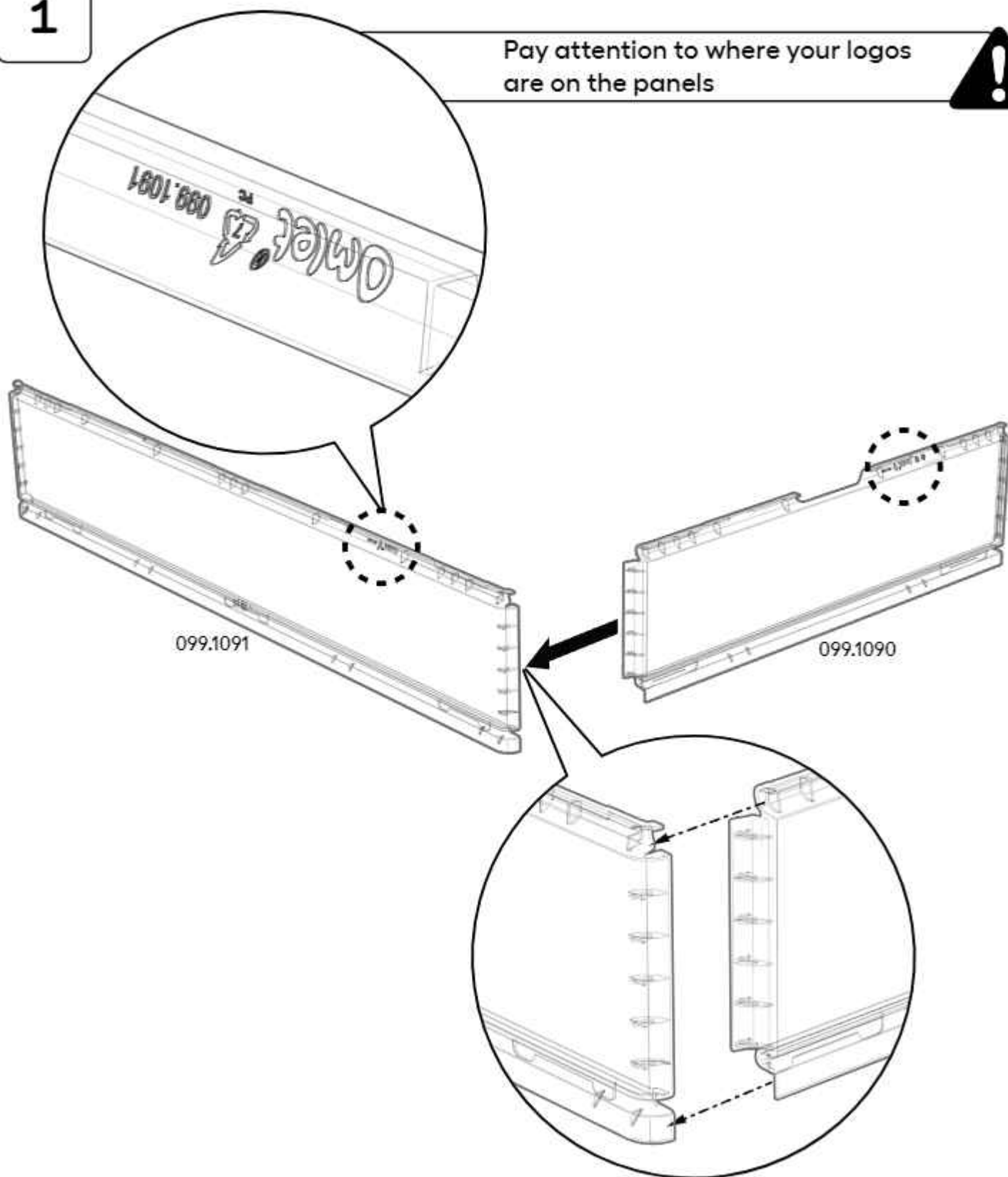


Assemble product on a flat, soft surface like a carpet to prevent scratches

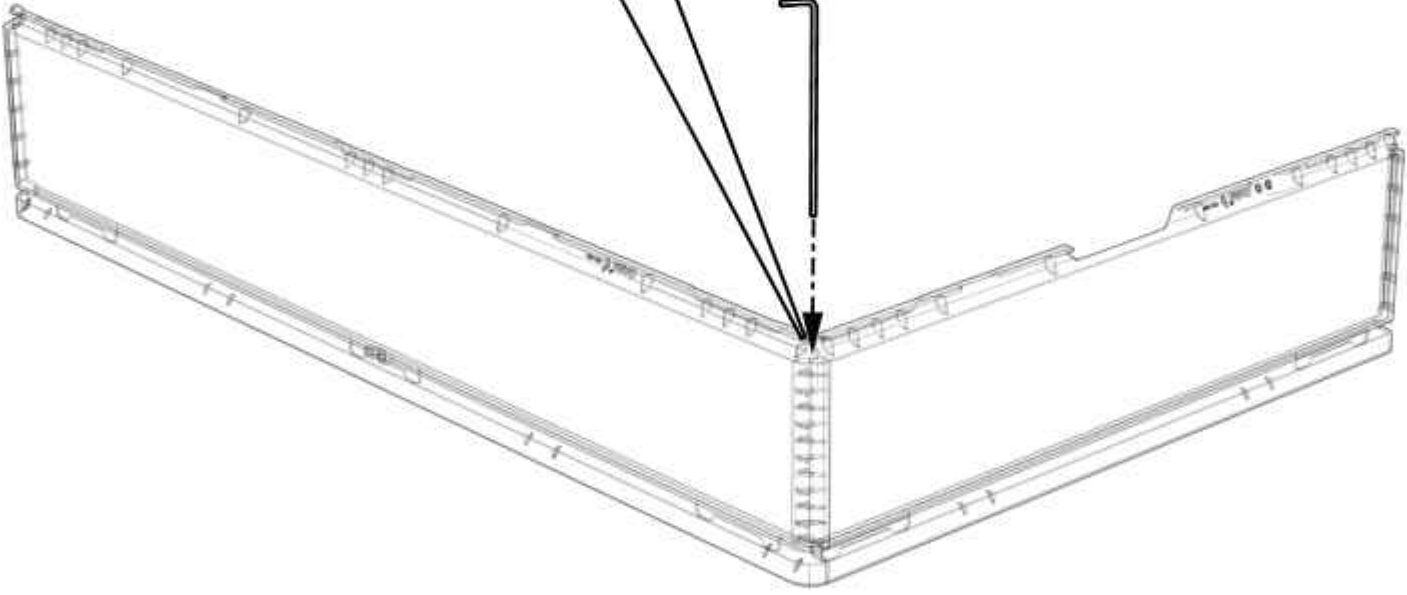
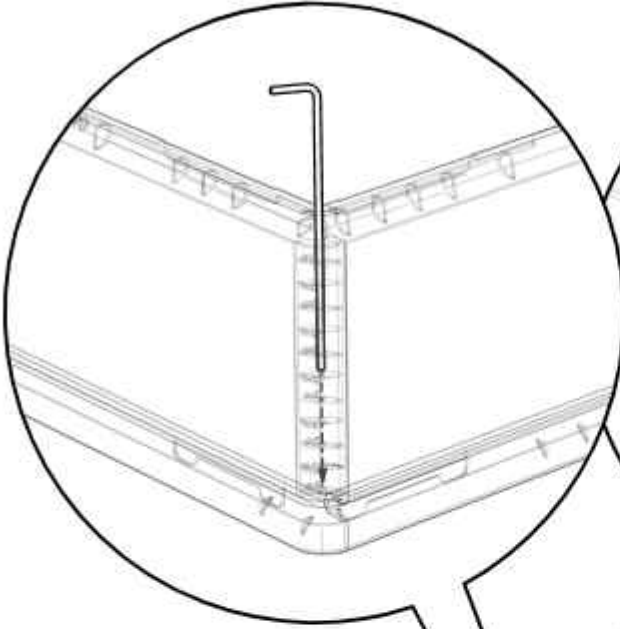


1

Pay attention to where your logos are on the panels

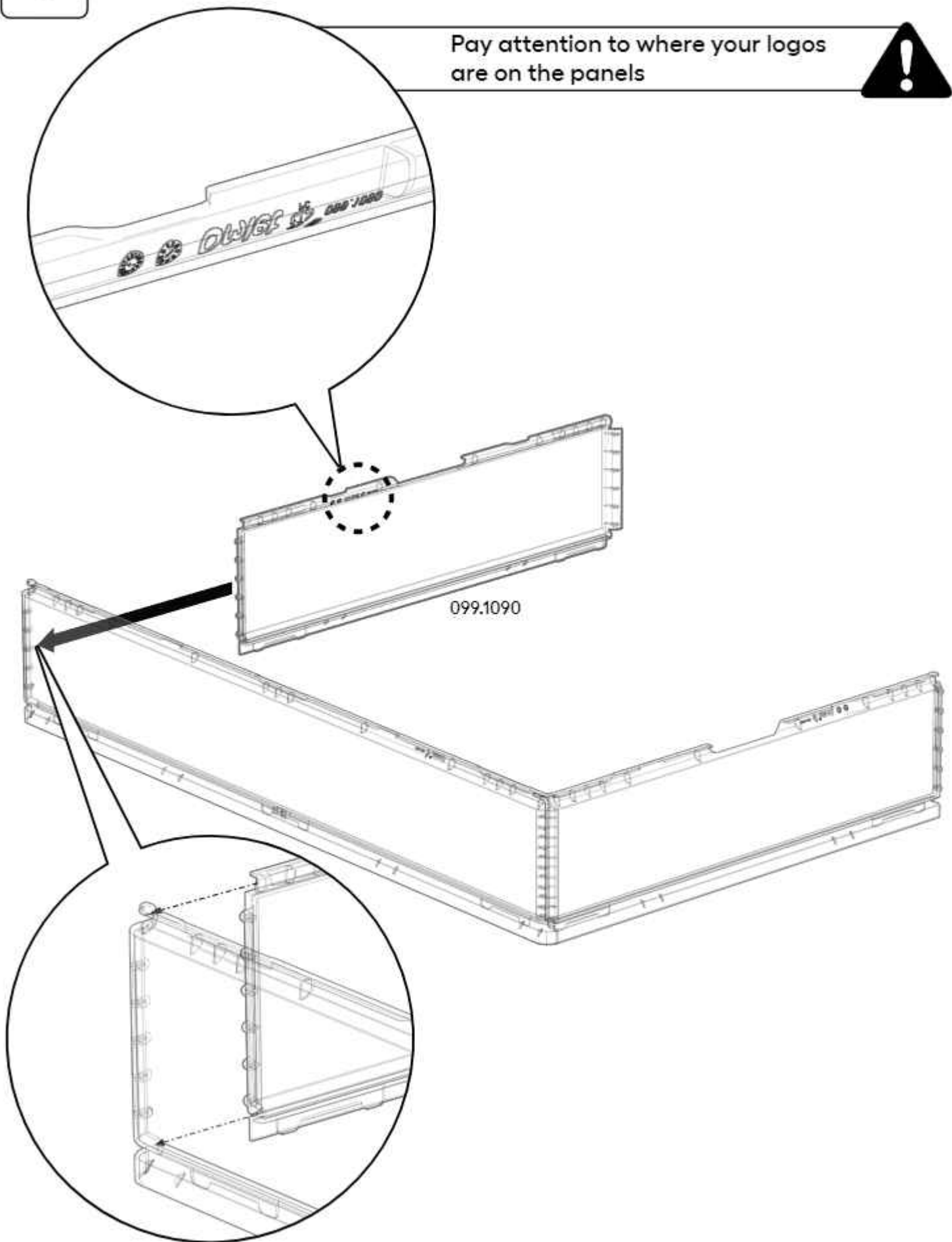


2

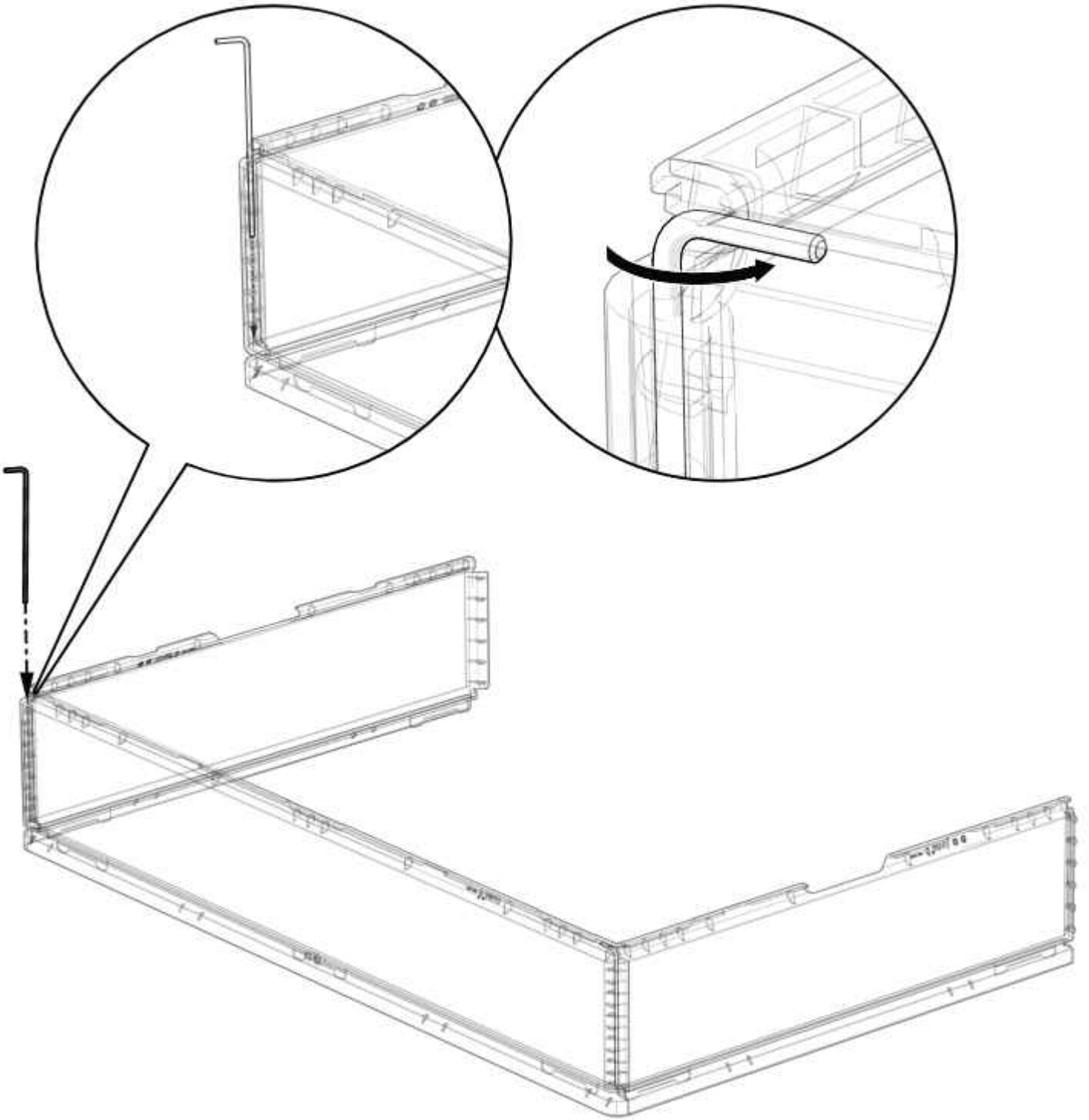


3

Pay attention to where your logos are on the panels

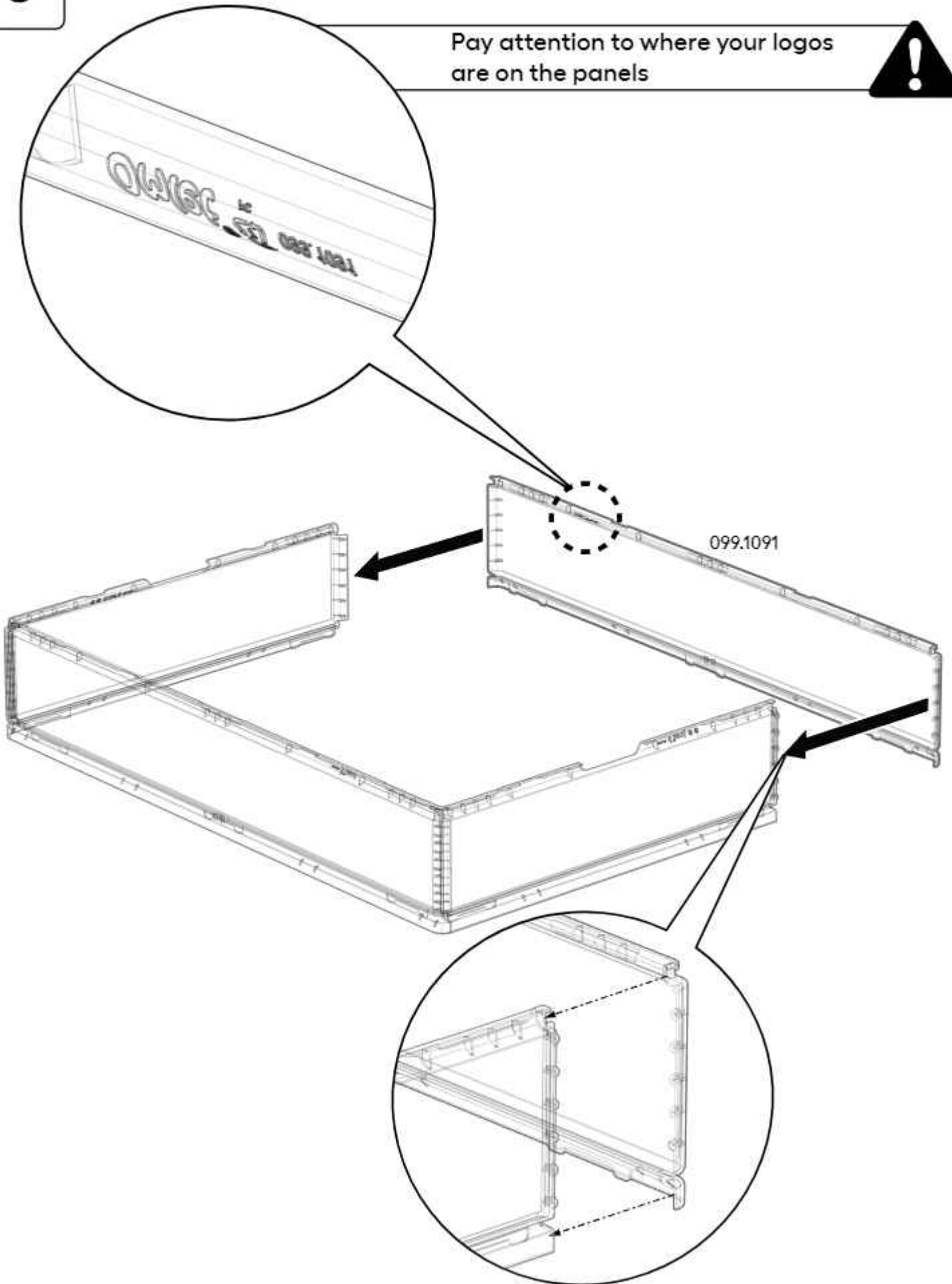


4

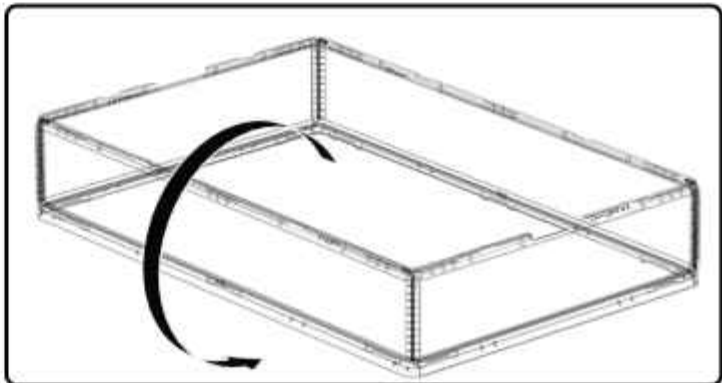
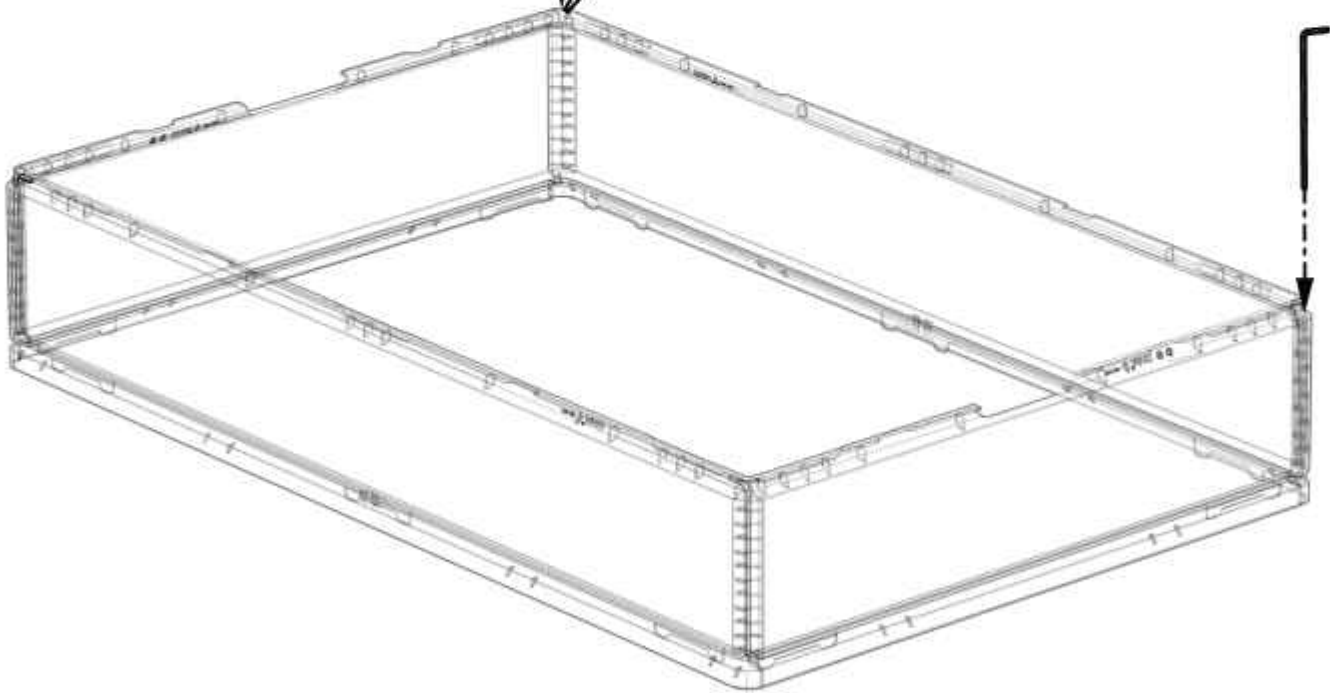
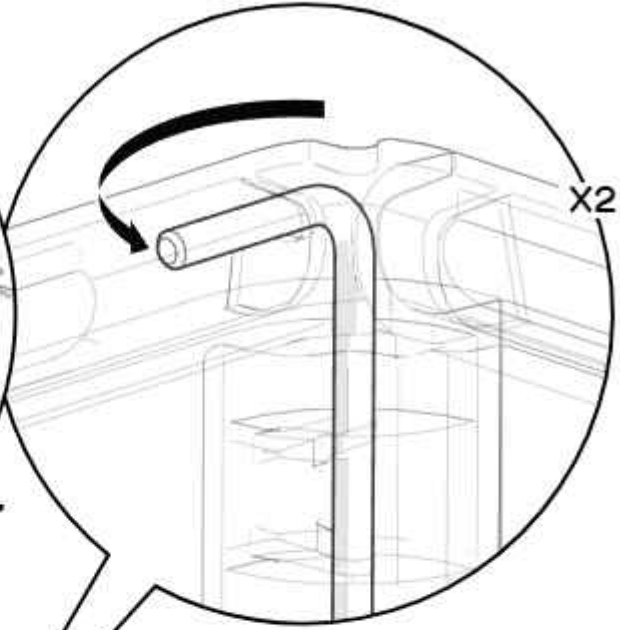
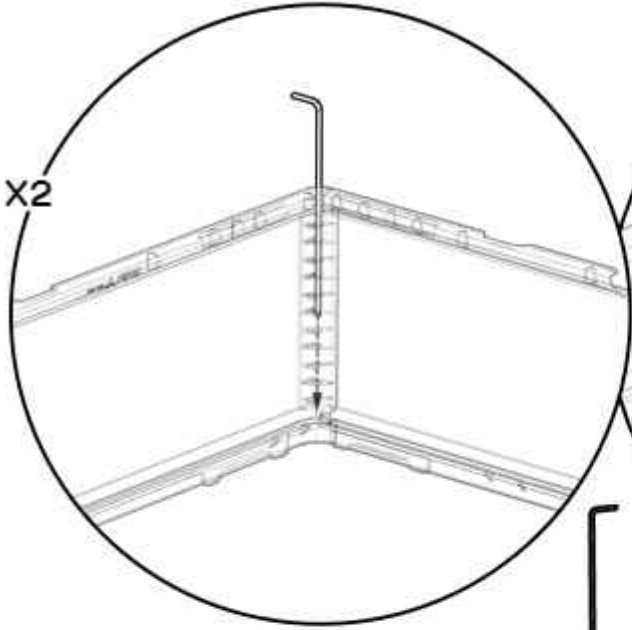


5

Pay attention to where your logos are on the panels

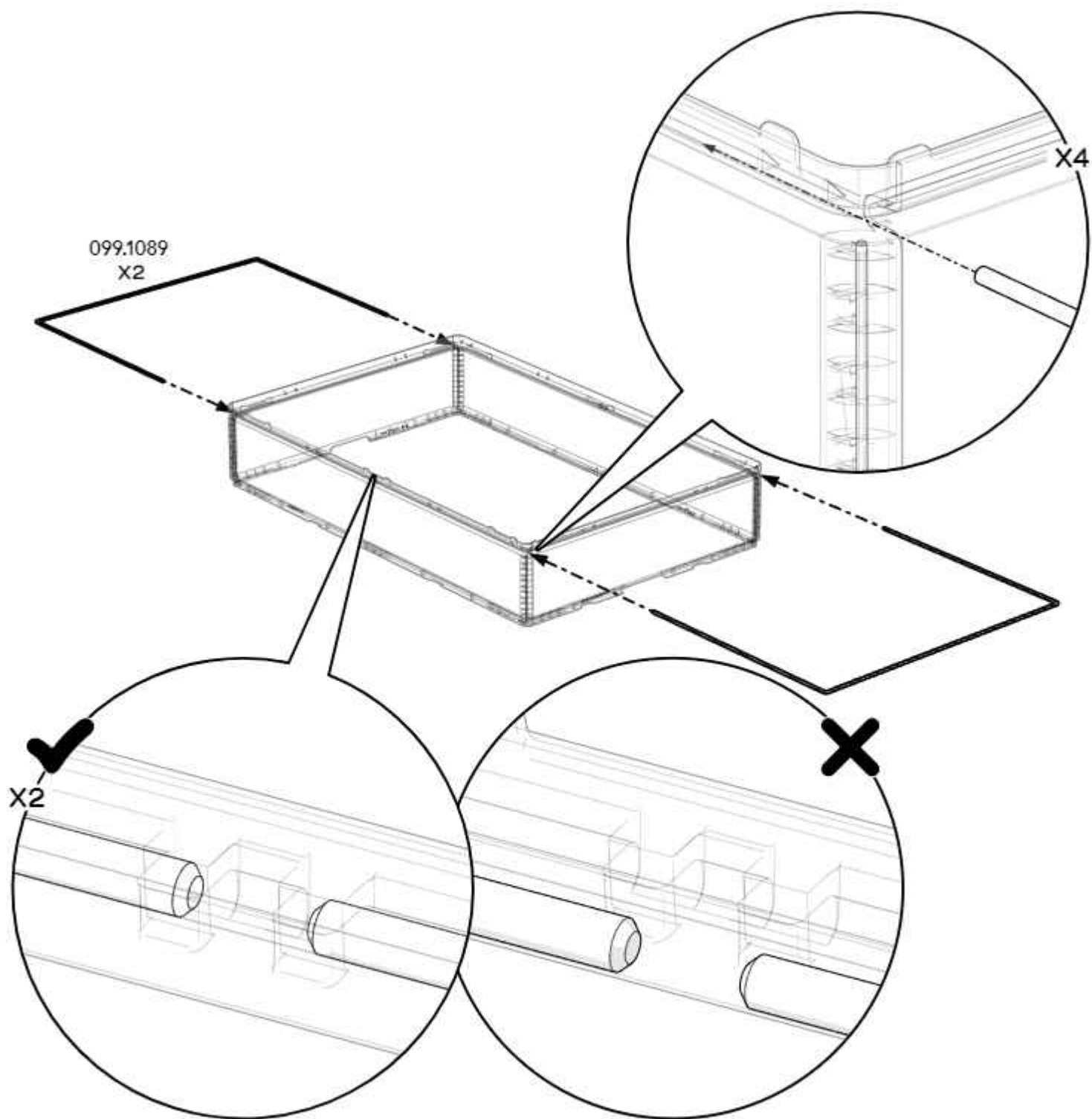


6



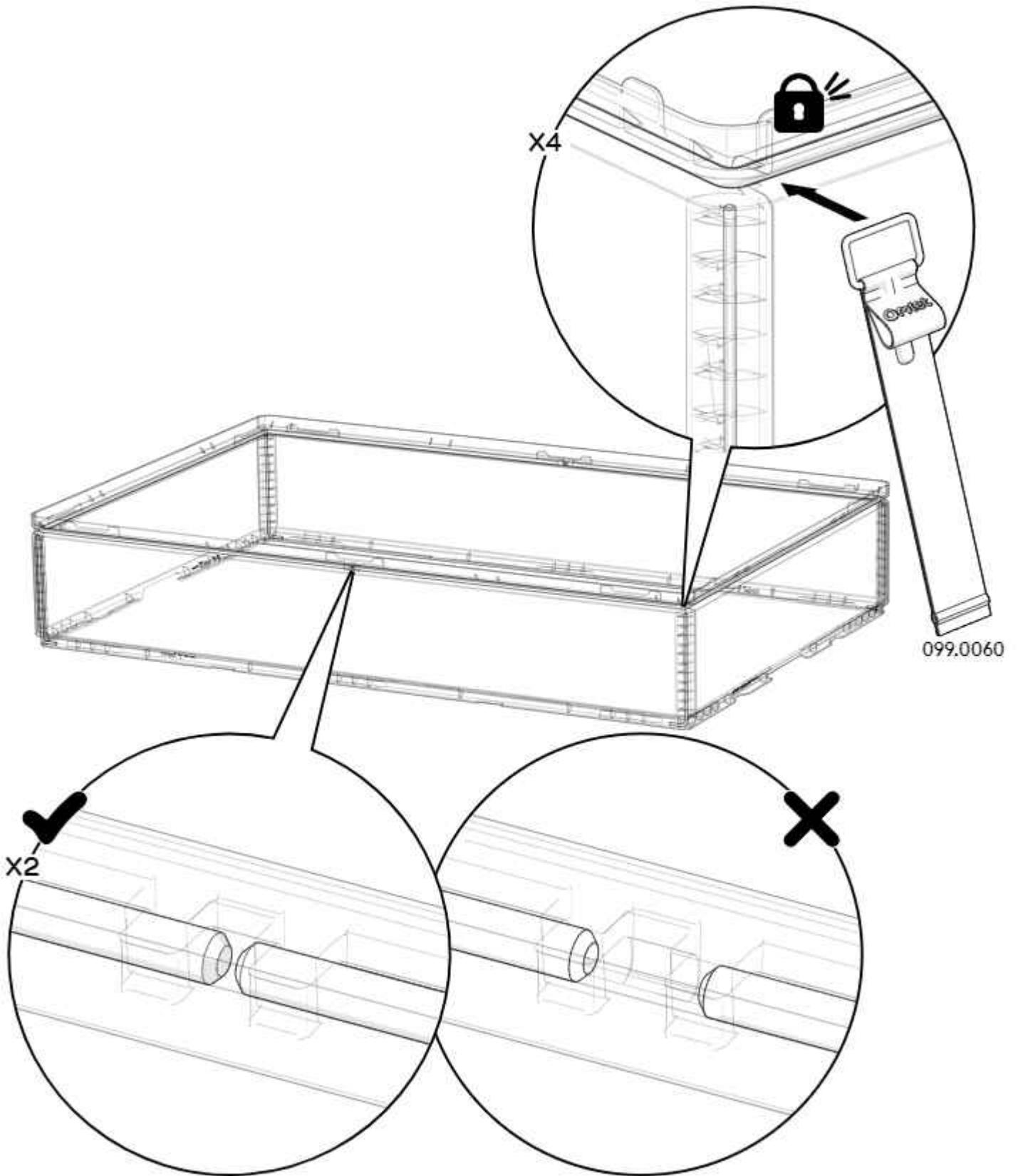


7



8

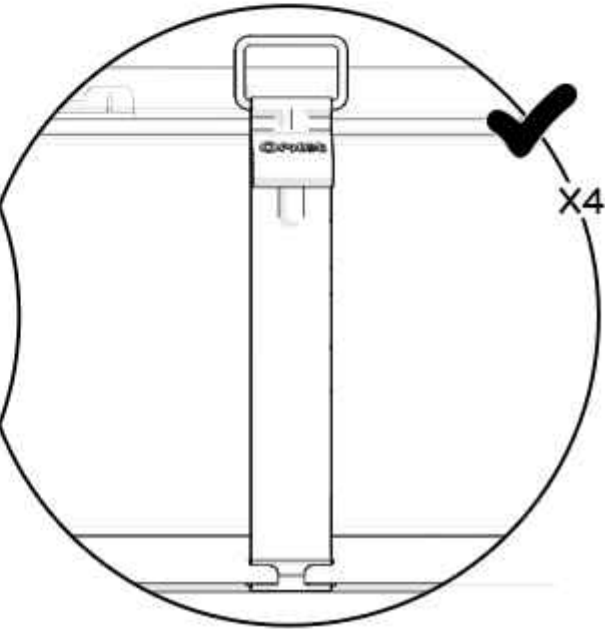
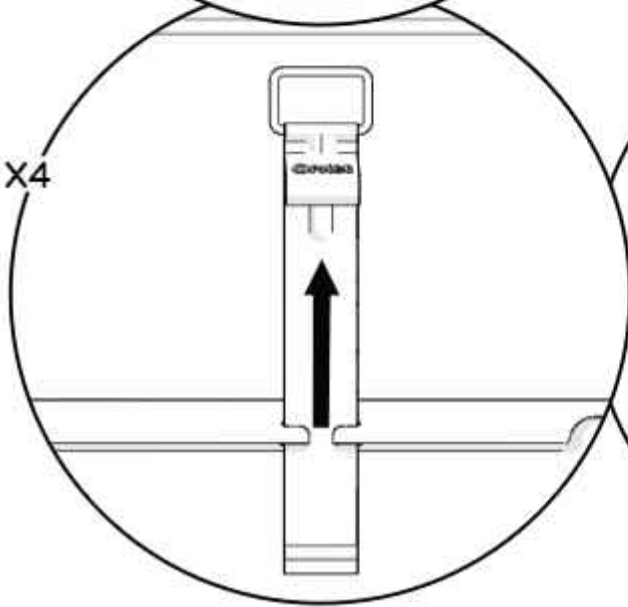
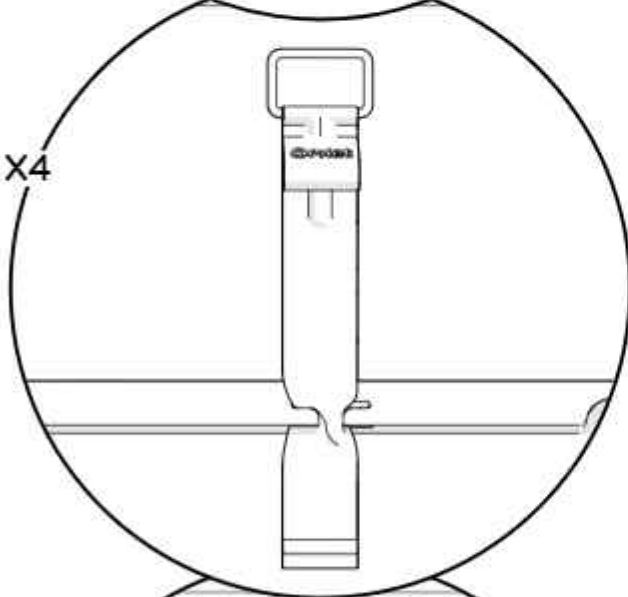
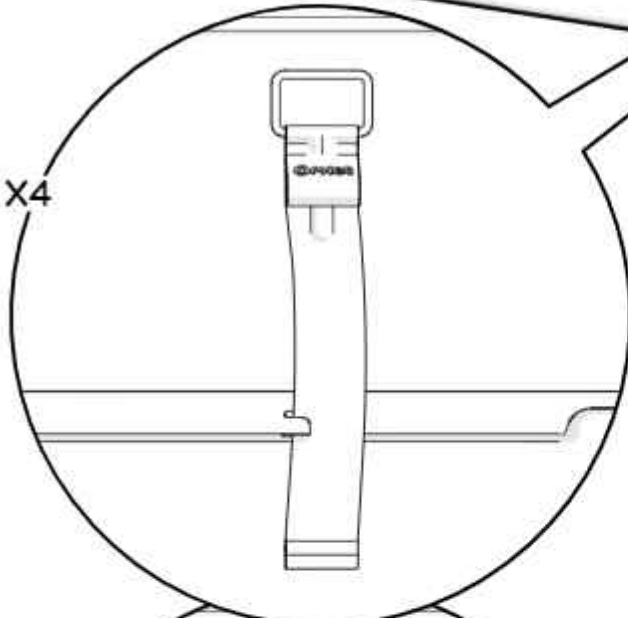
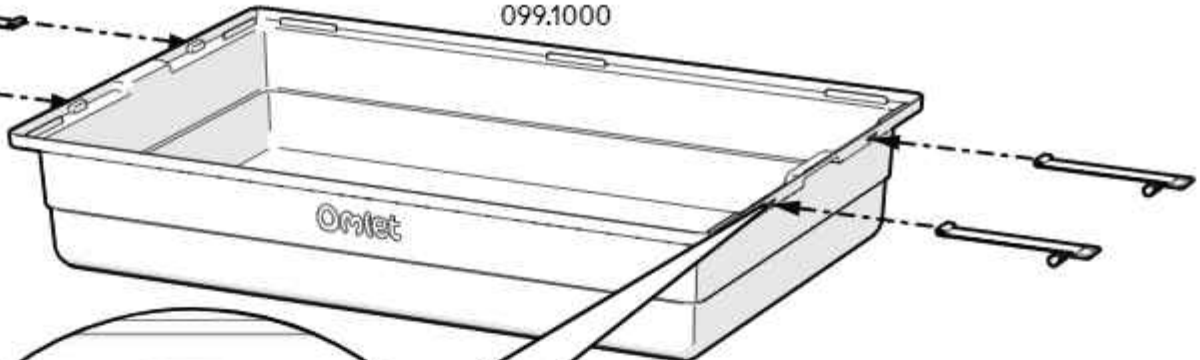
You can use the metal end of Strap (099.0060), which you will use in the next step, to push on the brace corners and click them into place

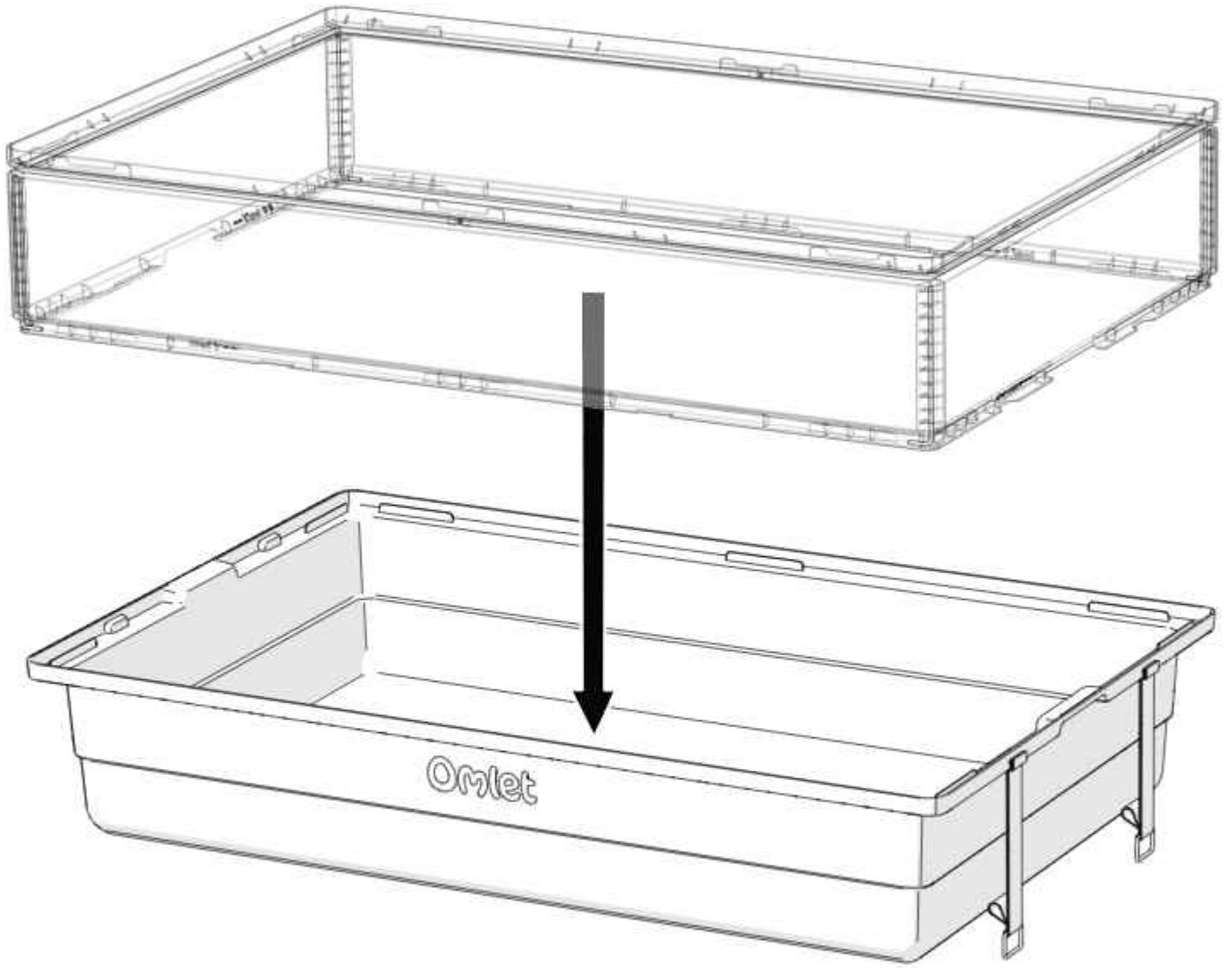


9

099.0060  
X4

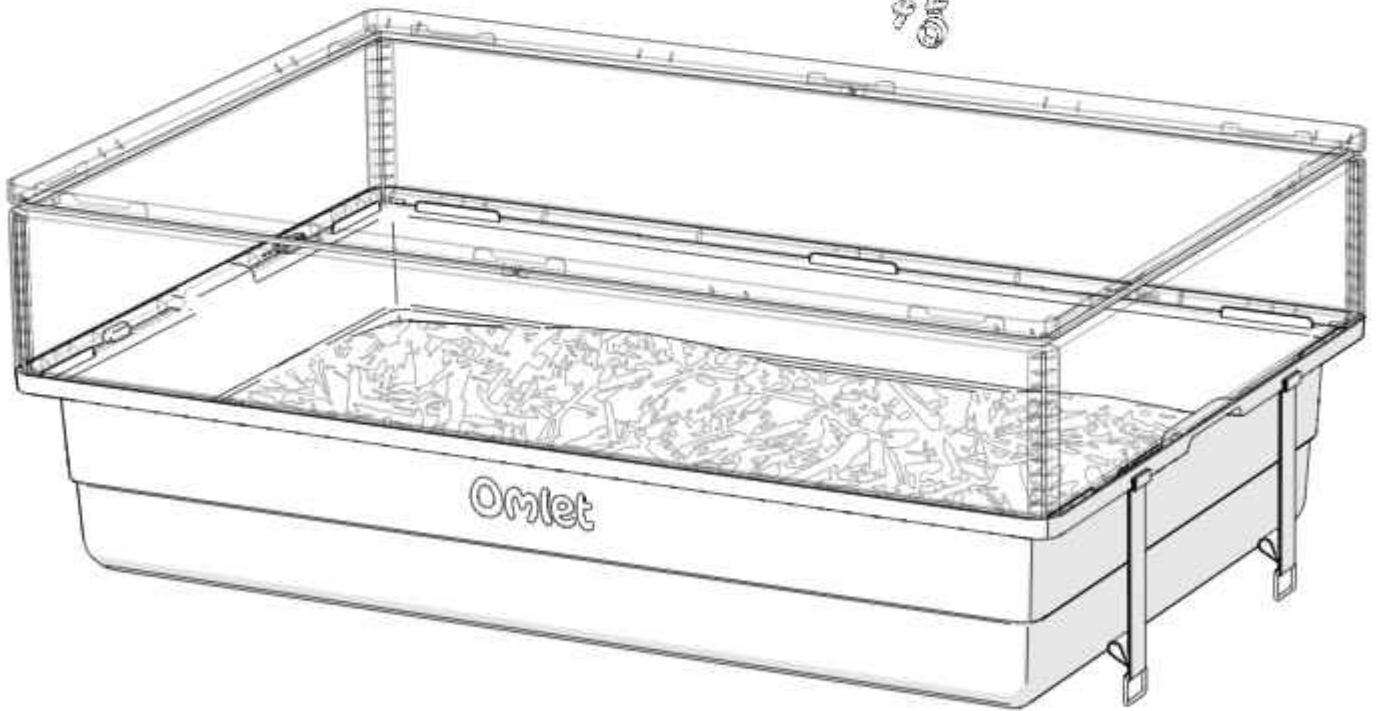
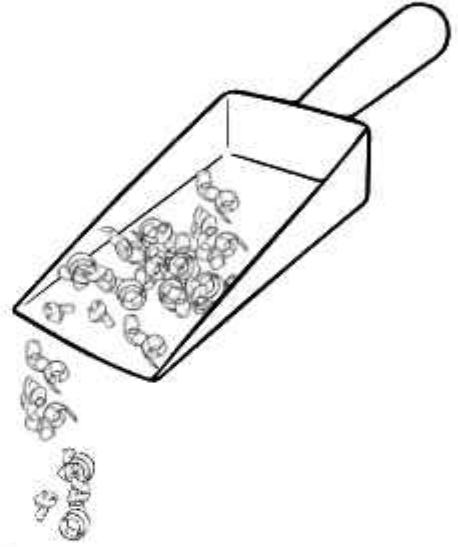
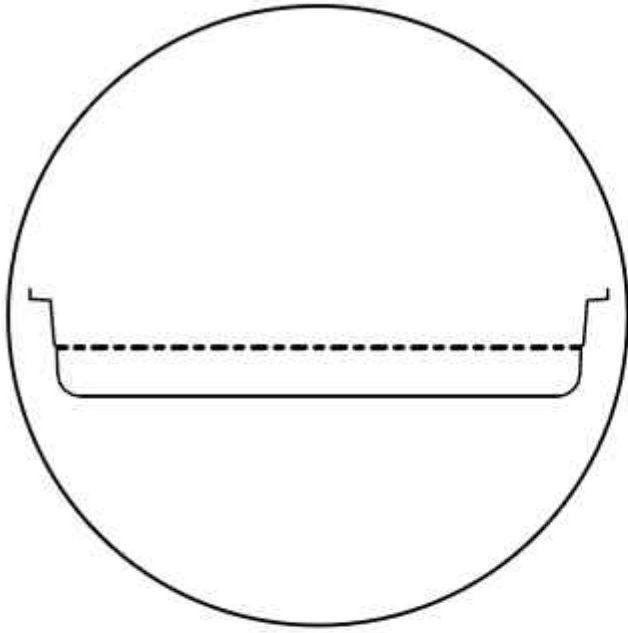
099.1000



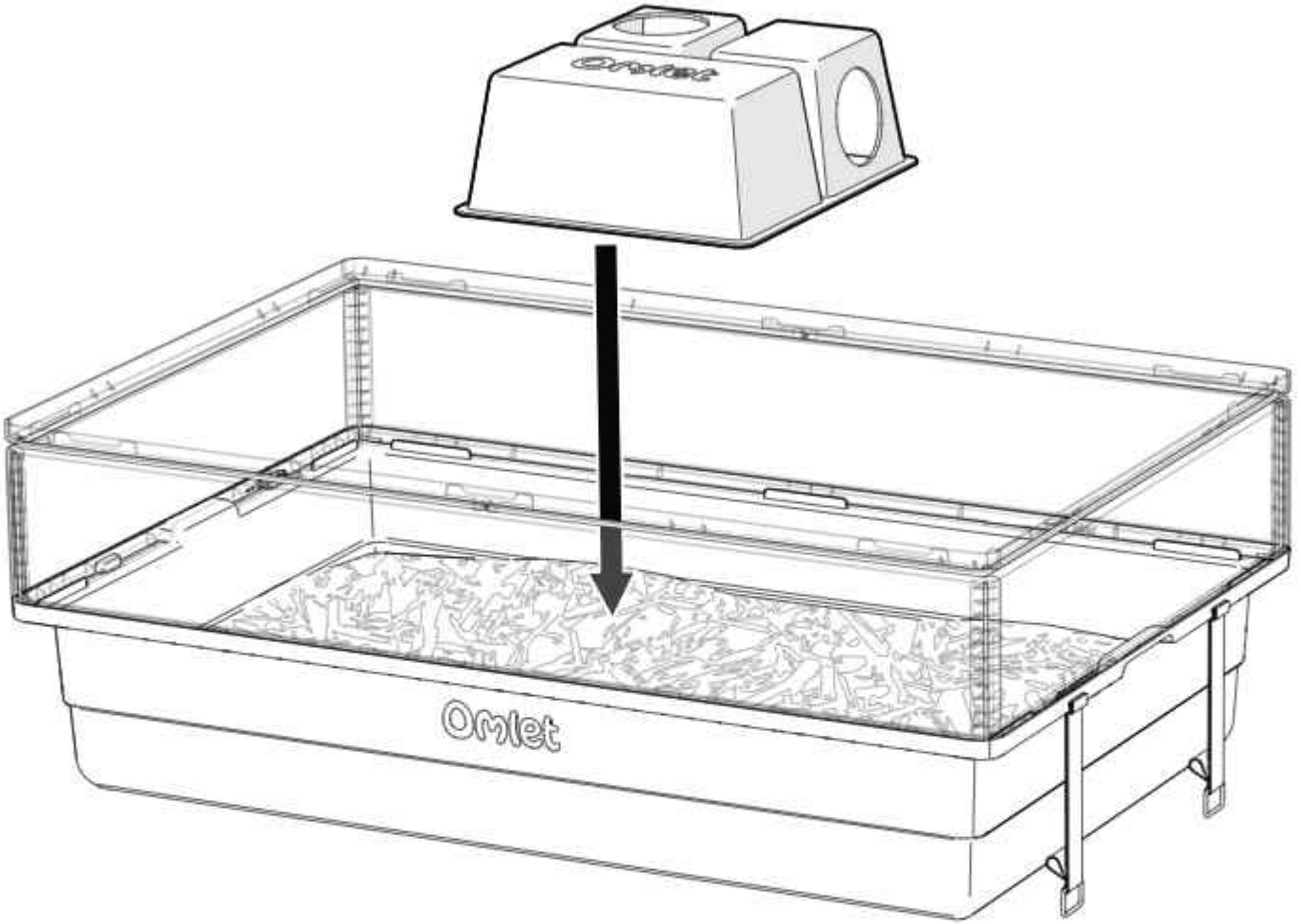


**11**

Fill half of the Tray (099.1000) with bedding



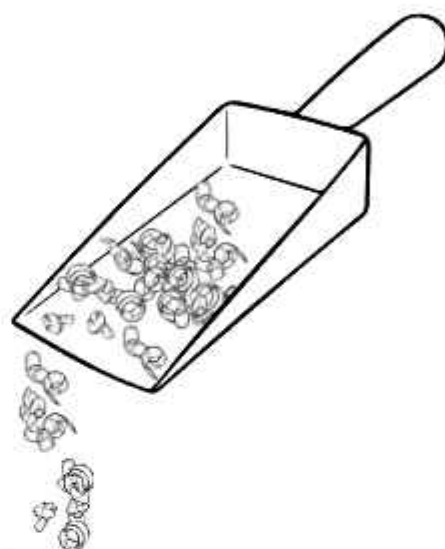
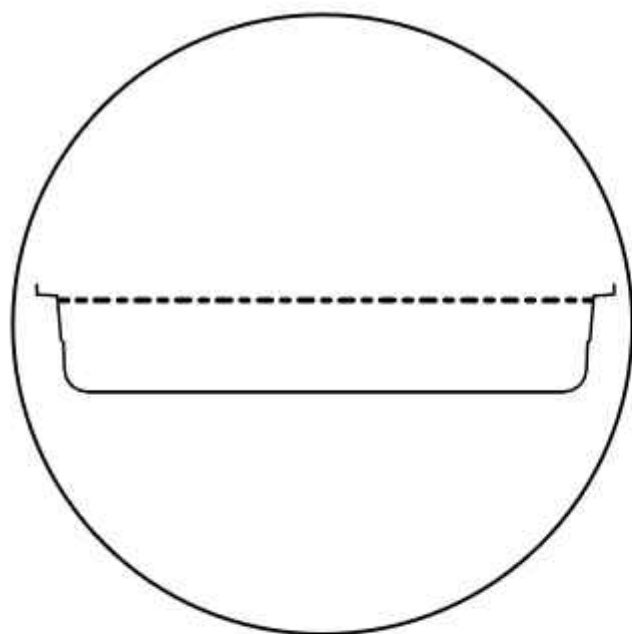
099.1069

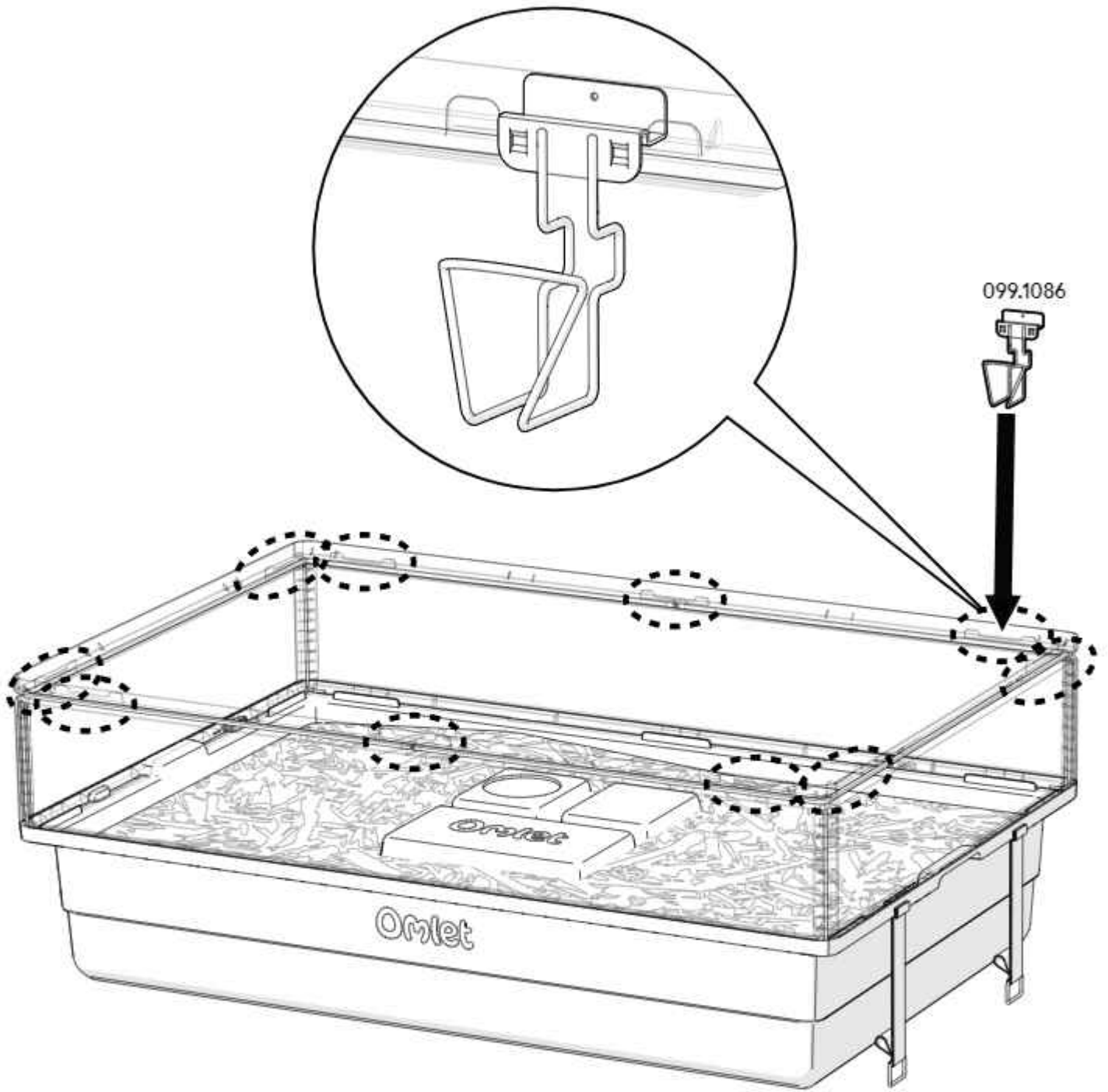


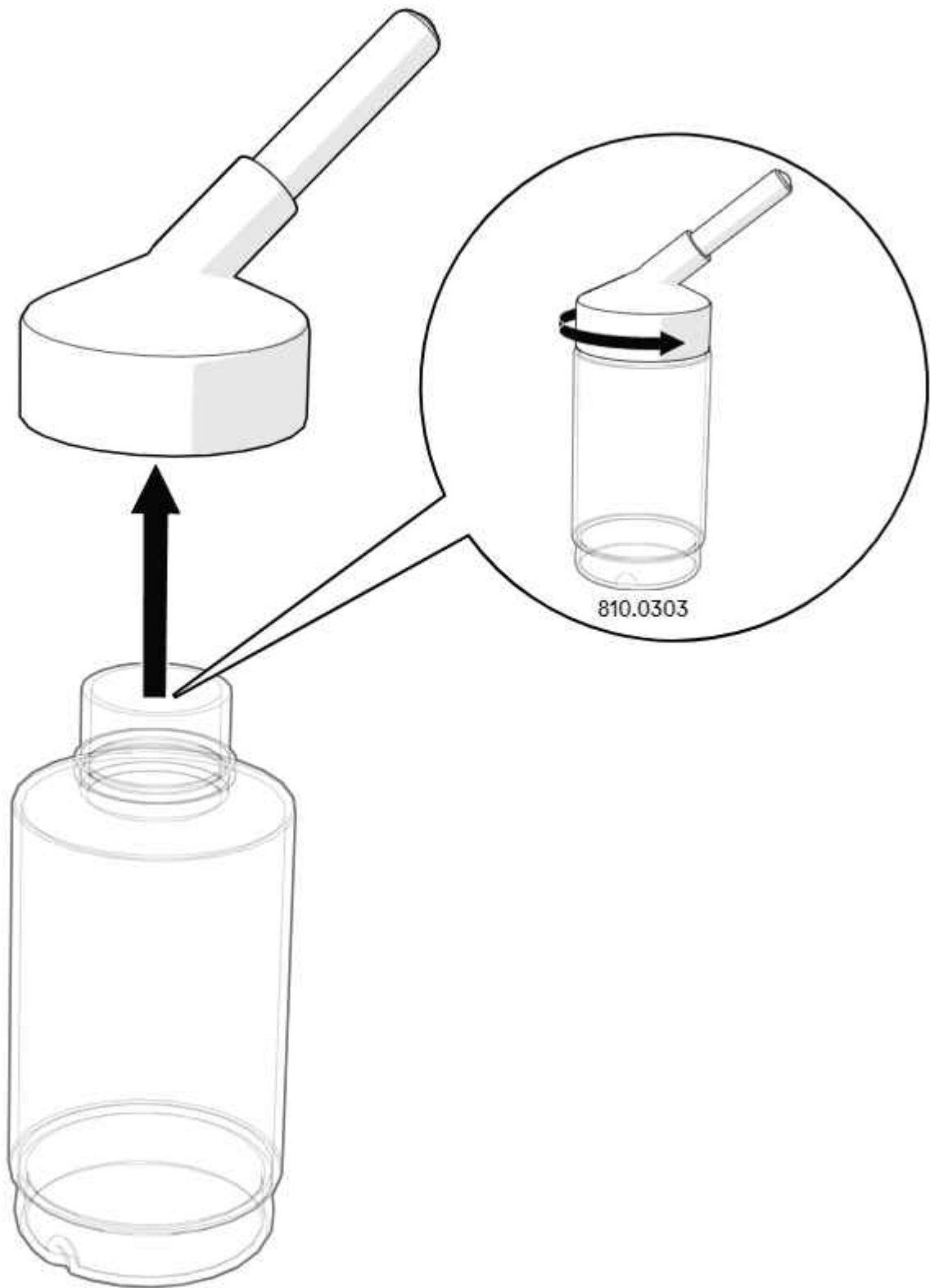


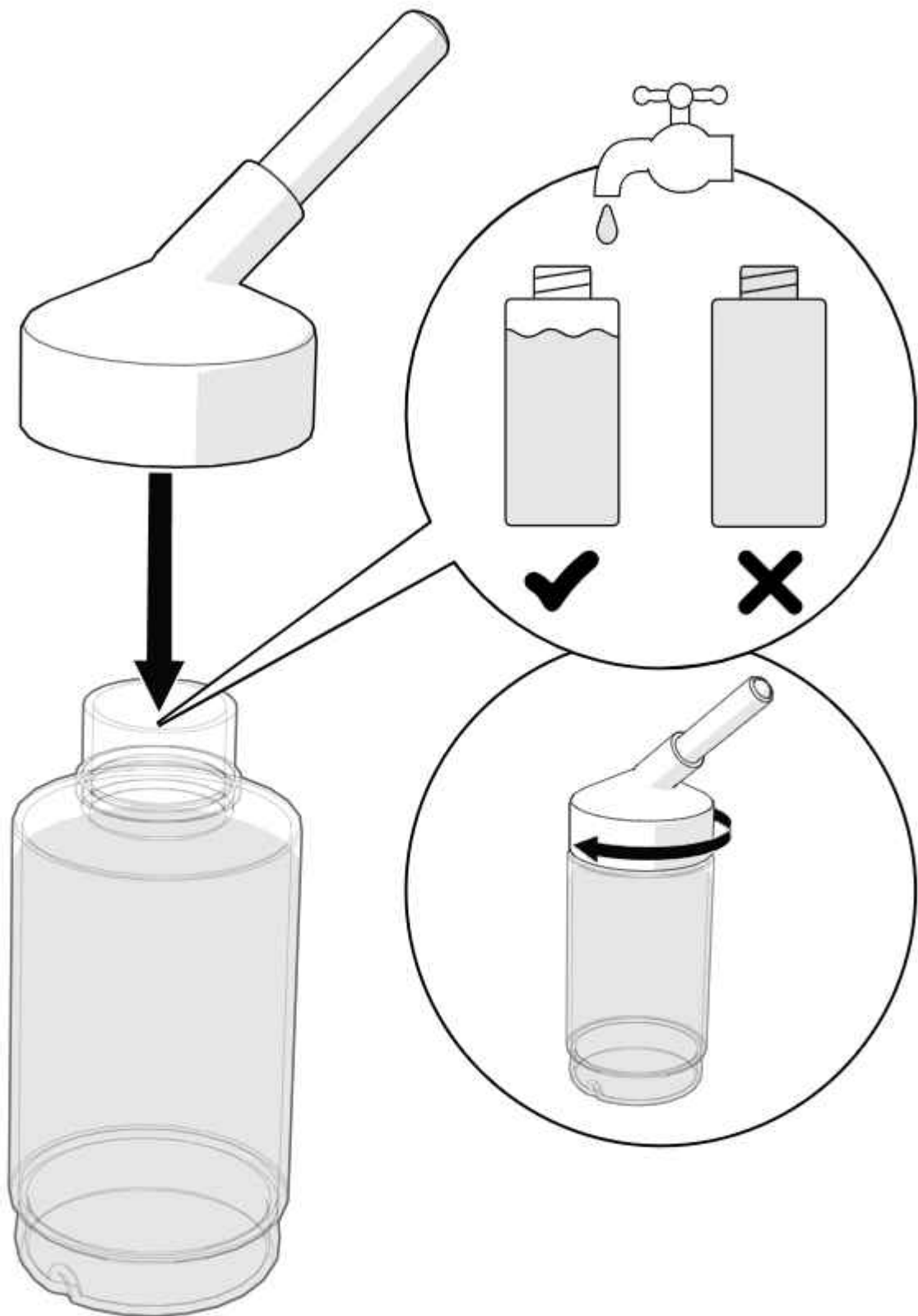
13

Fill the rest of the Tray (099.1000) with bedding





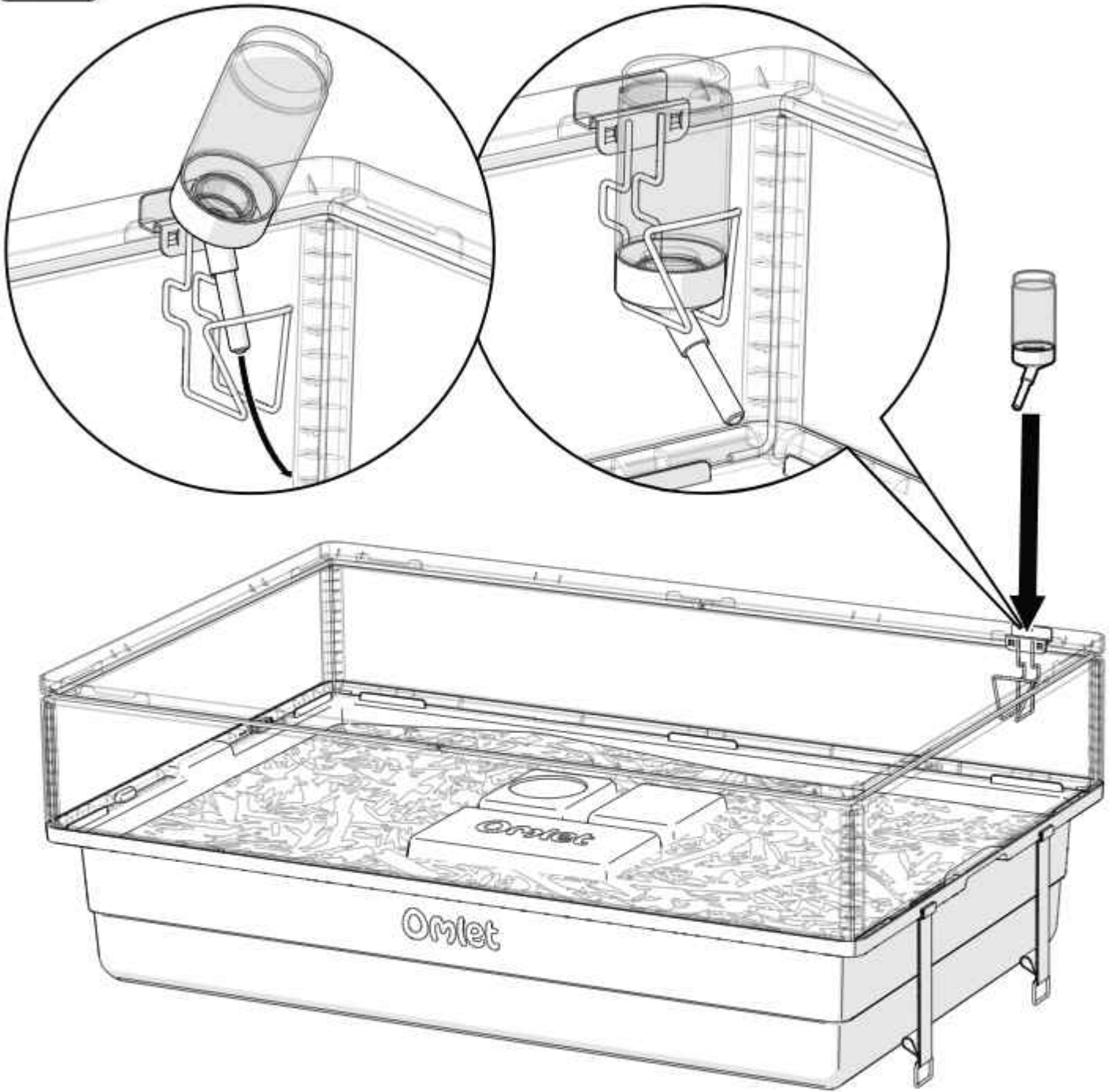




Shake and check there is not a continuous drip from the end of the bottle



17

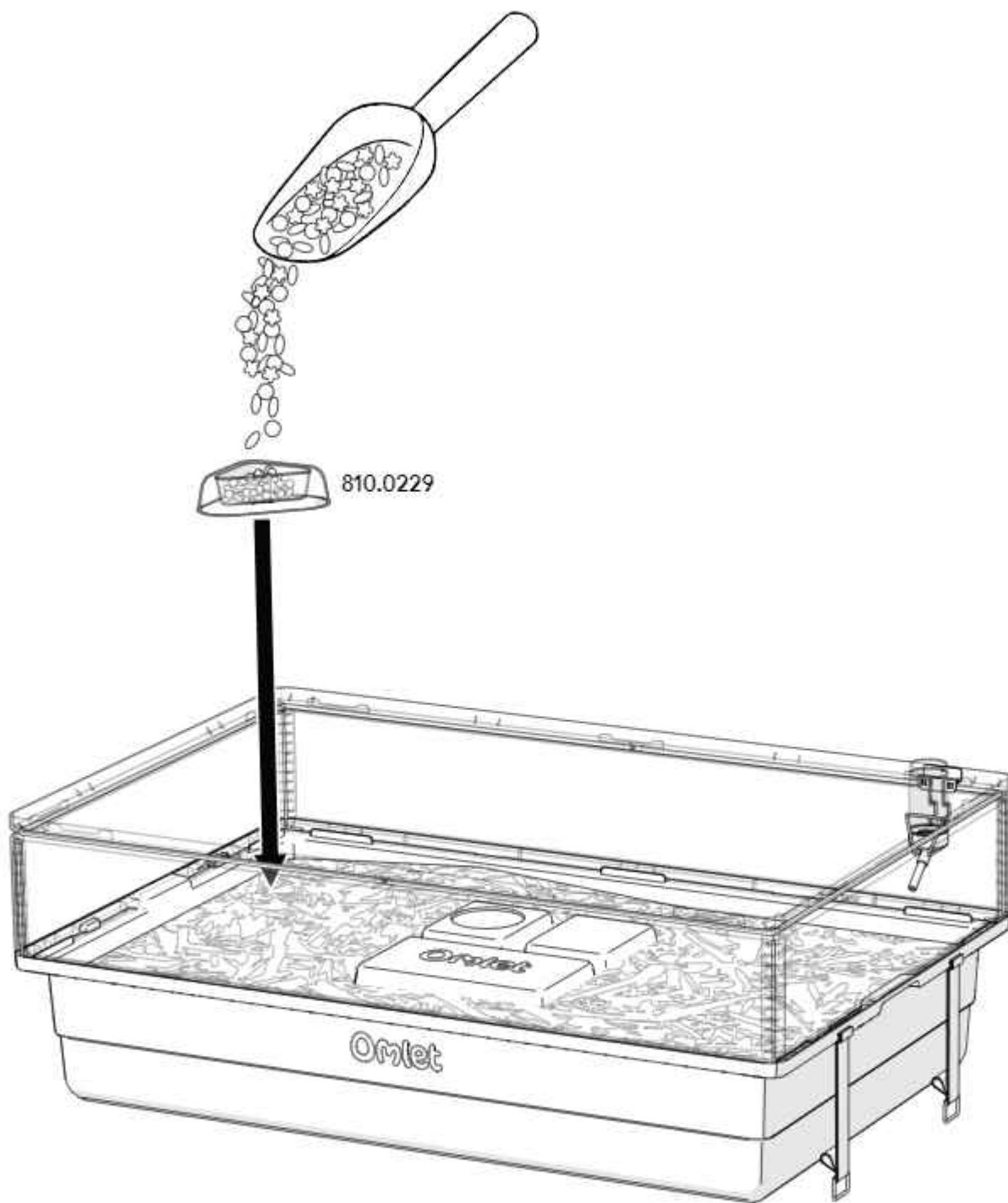


Check that your hamster can reach the bottle and top up bedding level if necessary



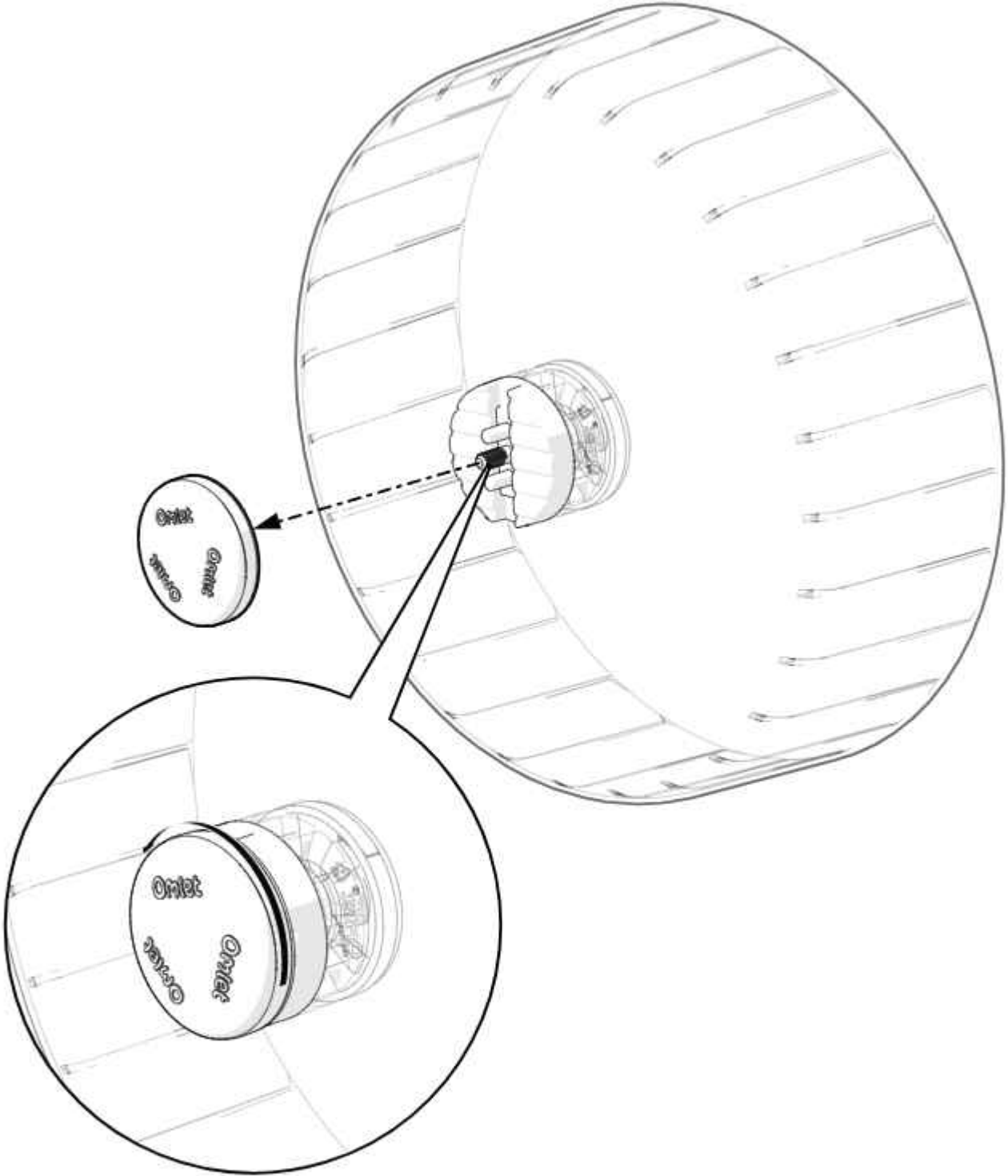
18

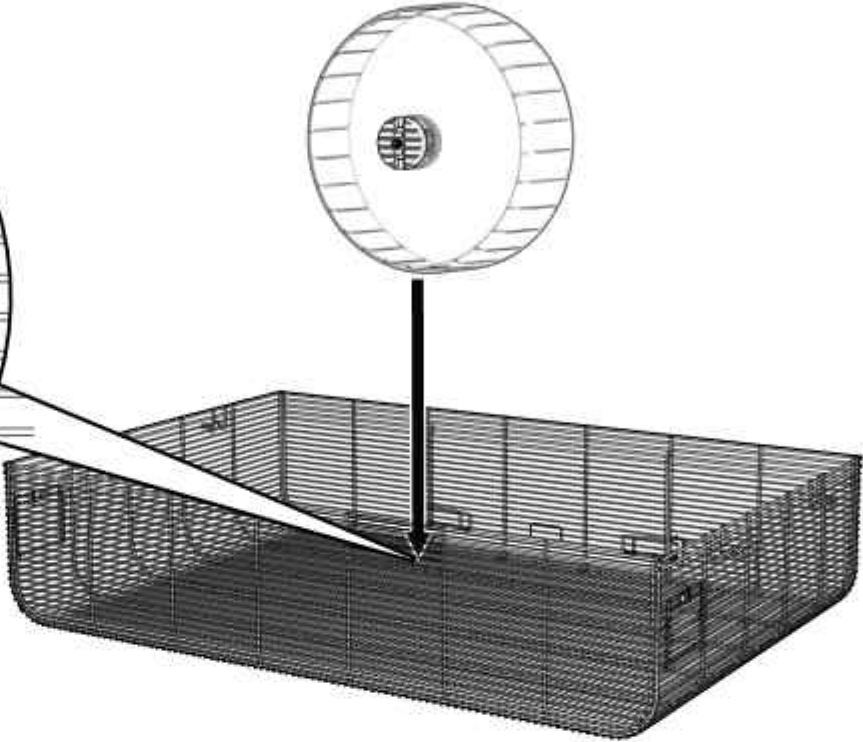
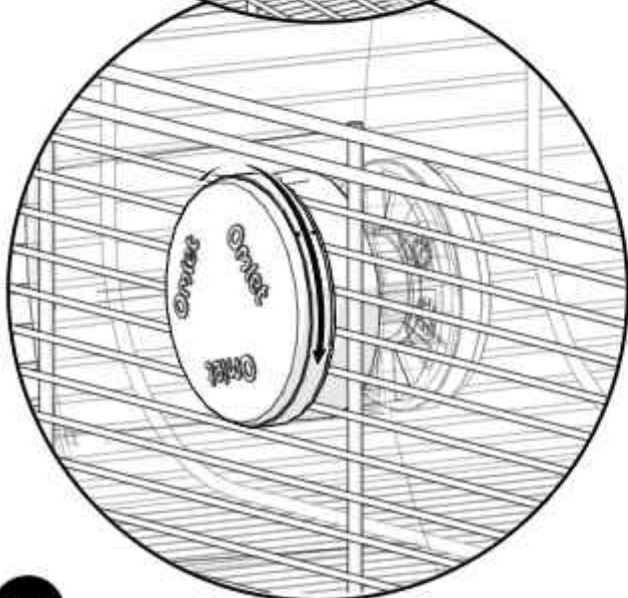
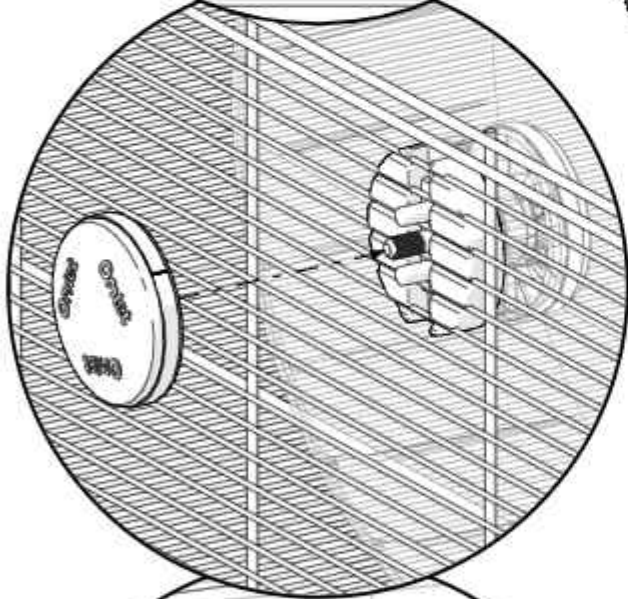
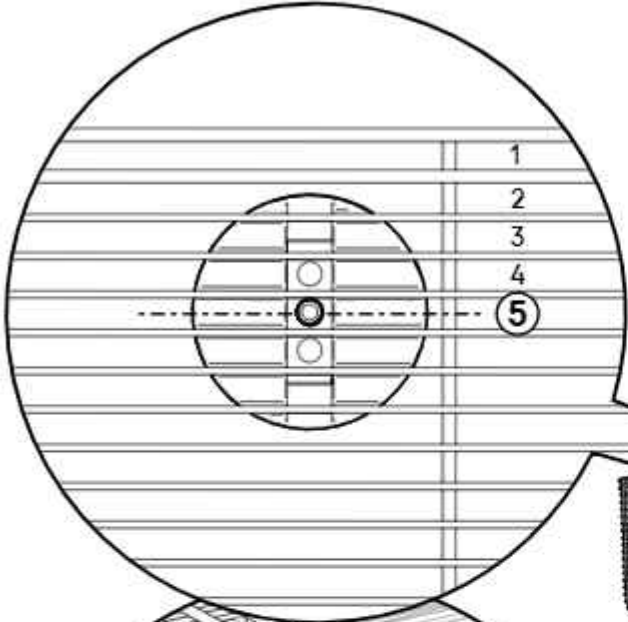
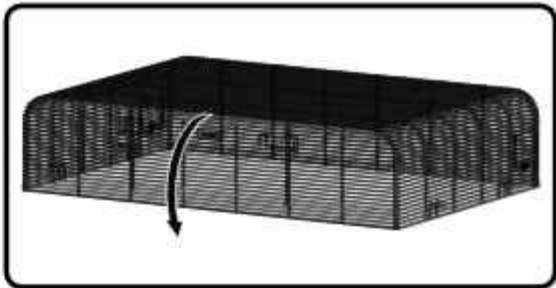
Add food to the Hamster Food Bowl (810.0229) - you can scatter food around the habitat to provide extra enrichment for your hamster



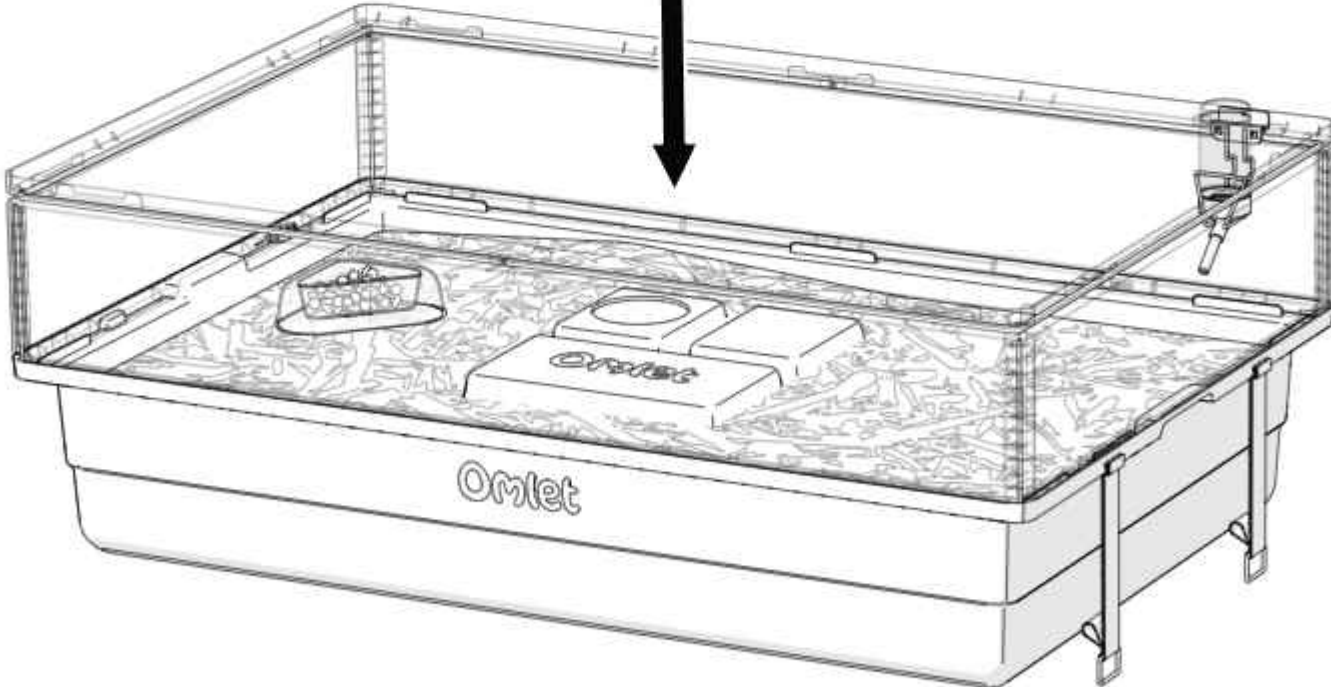
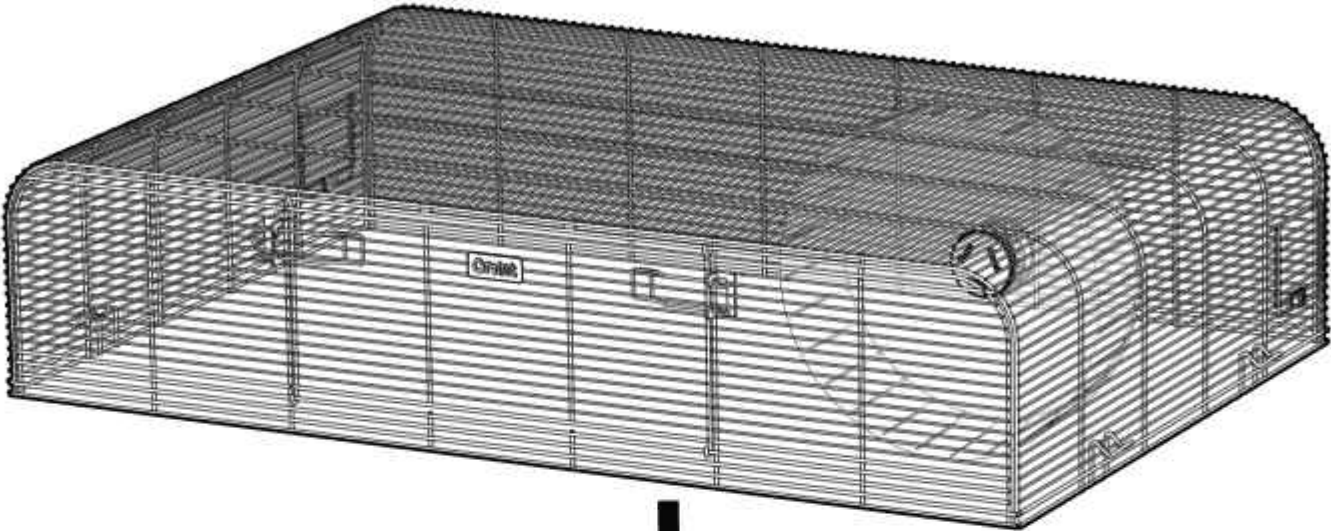
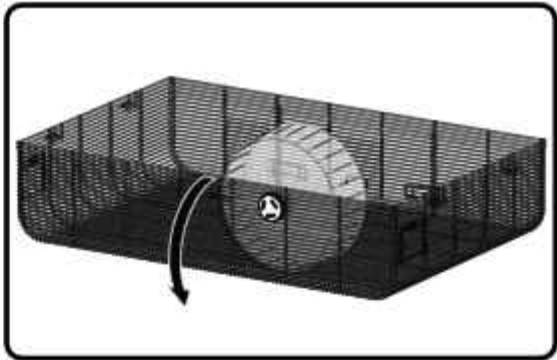


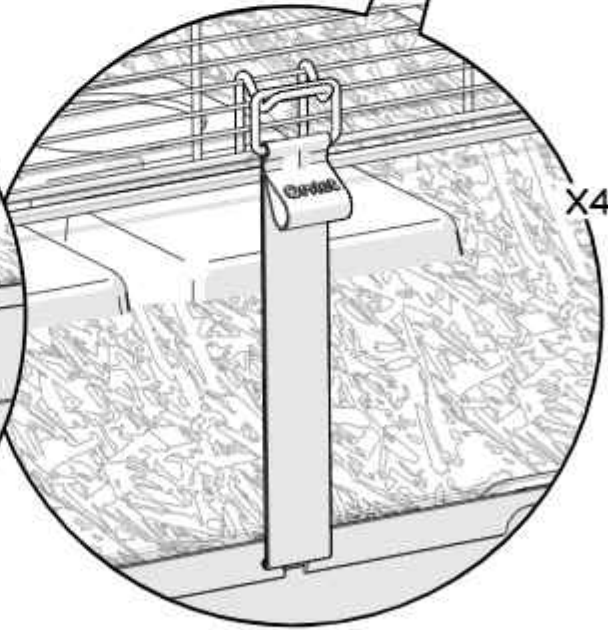
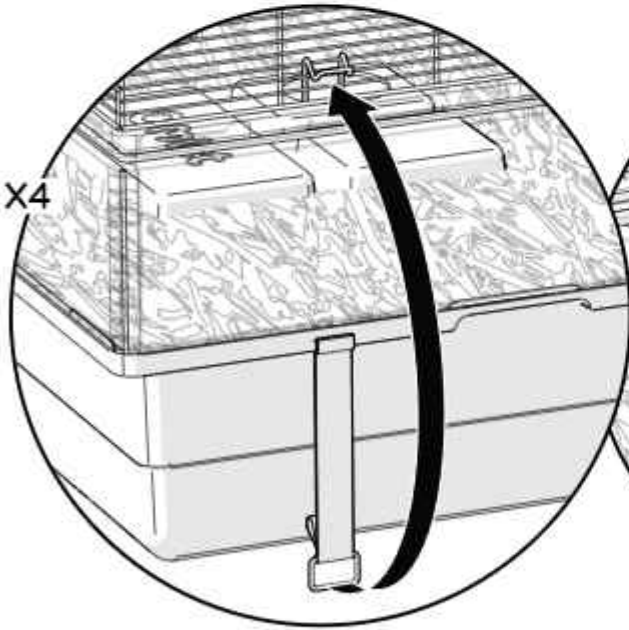
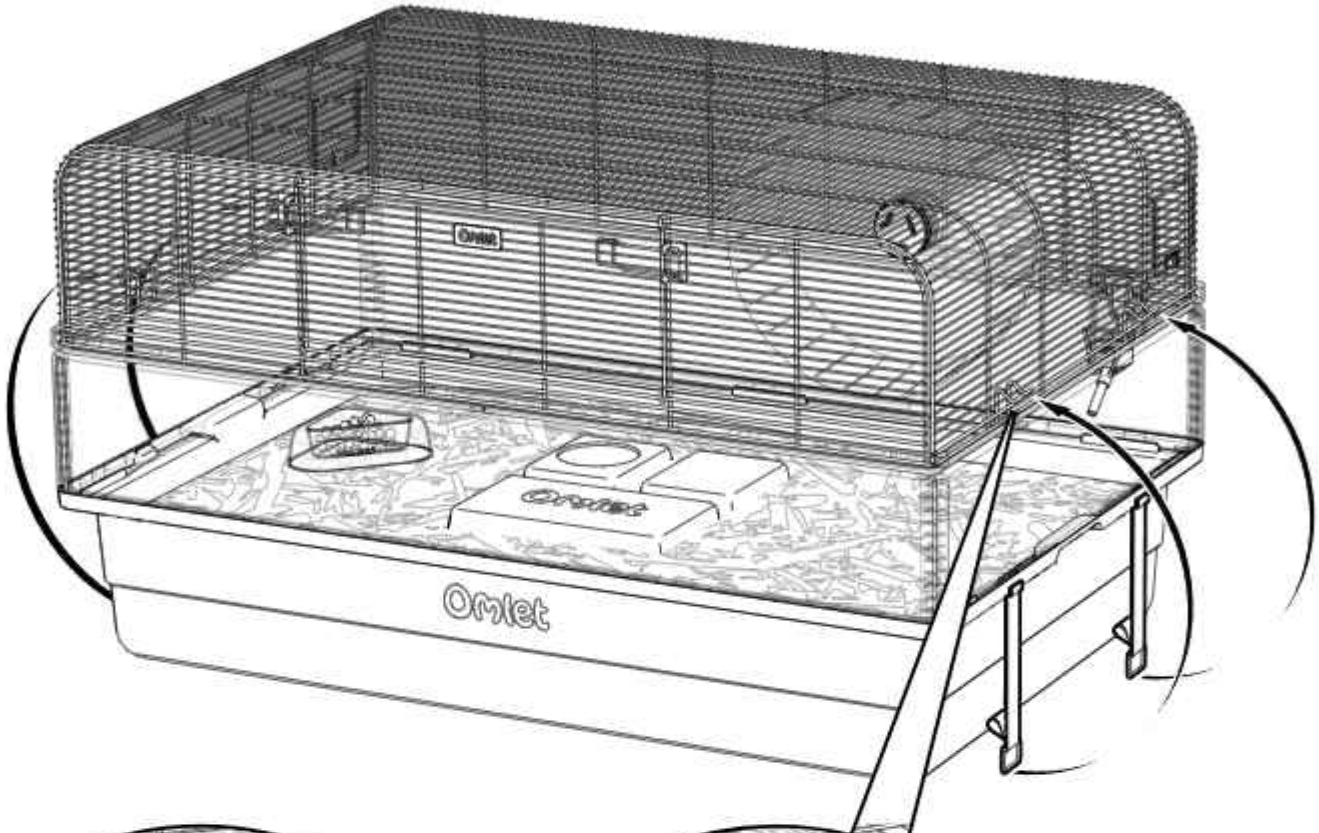
099.0023



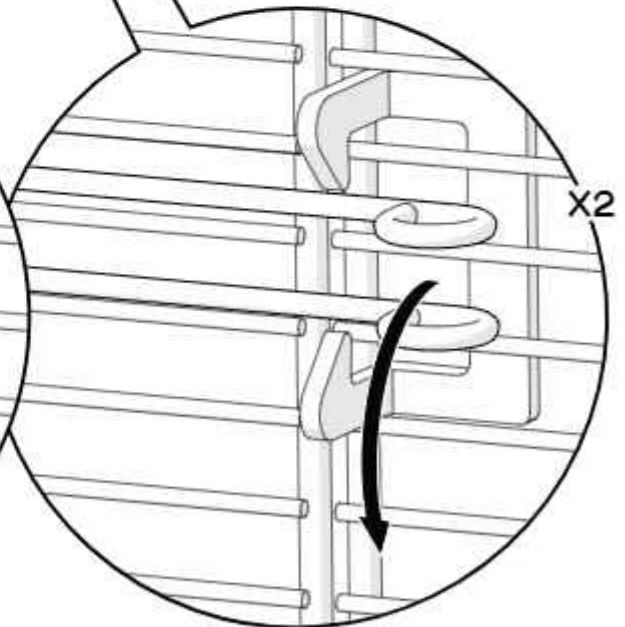
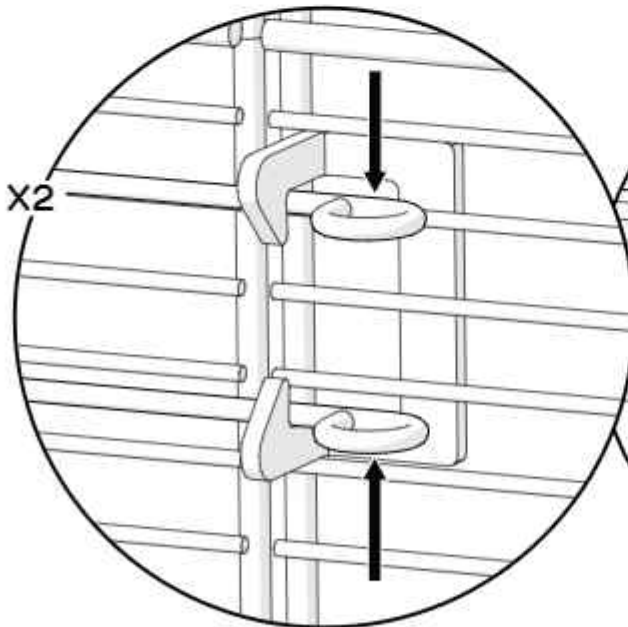
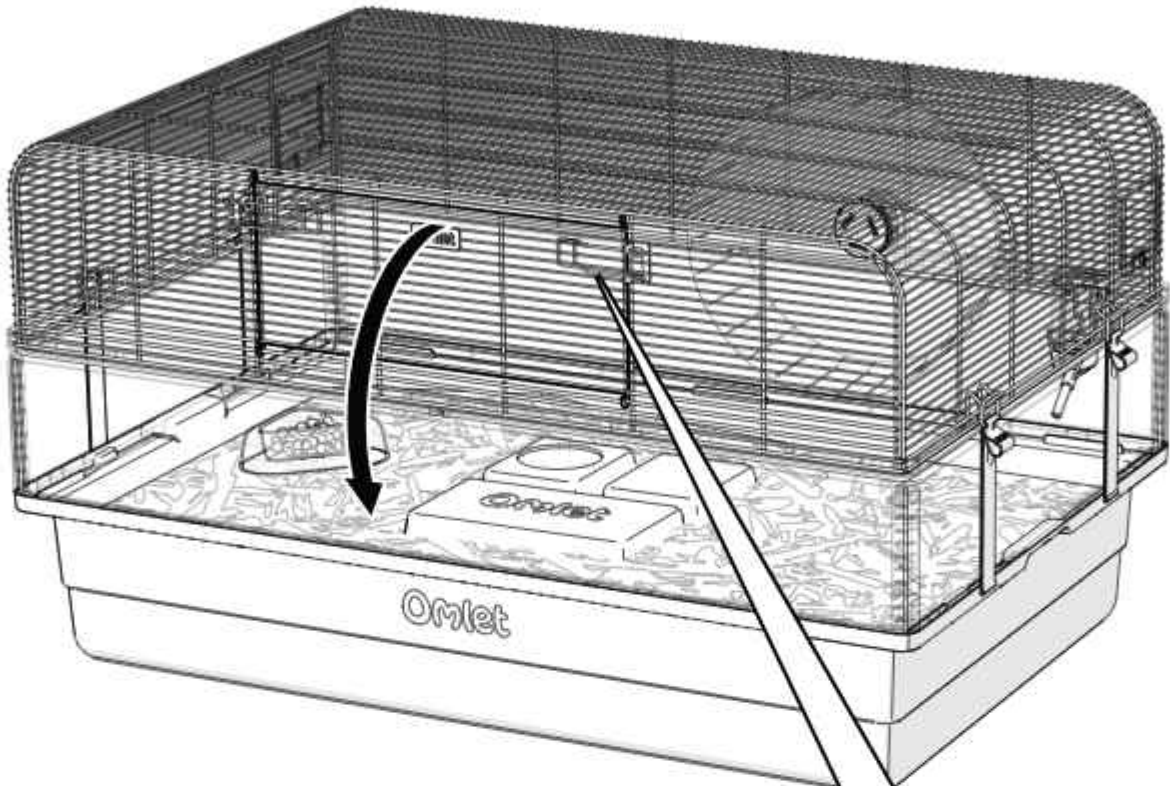


099.0001

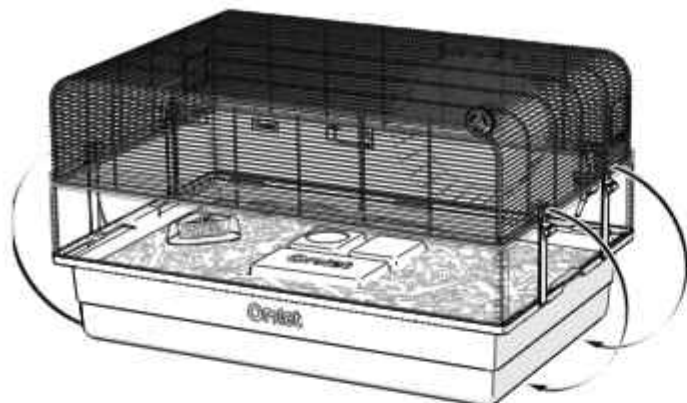




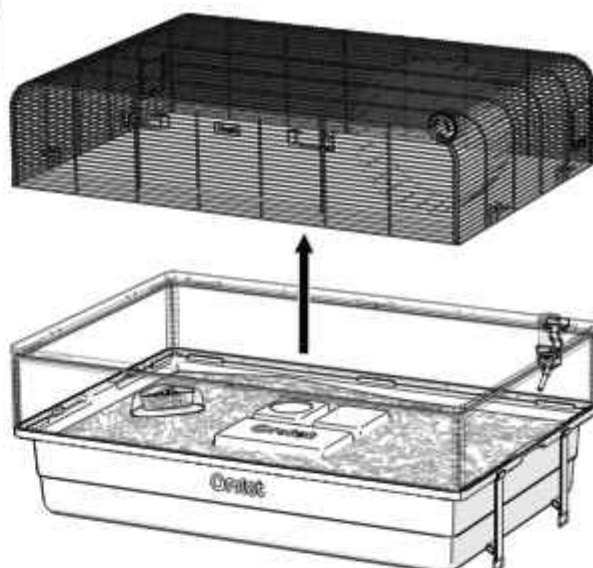
Using the door



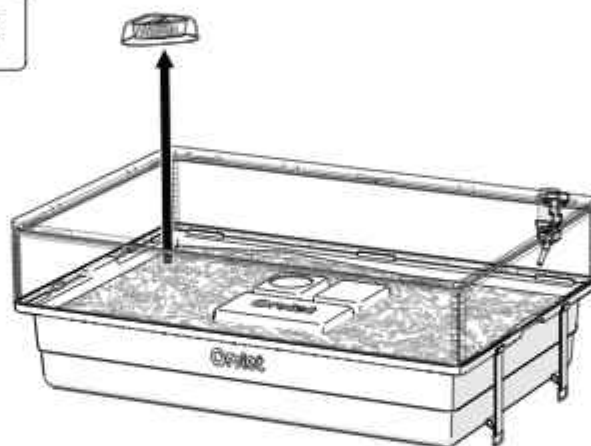
1



2



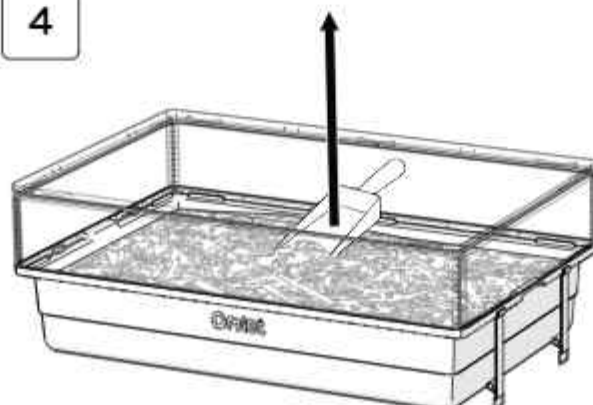
3



Remove soiled bedding - be careful not to disturb any tunnels your hamster has made in the bedding



4





5



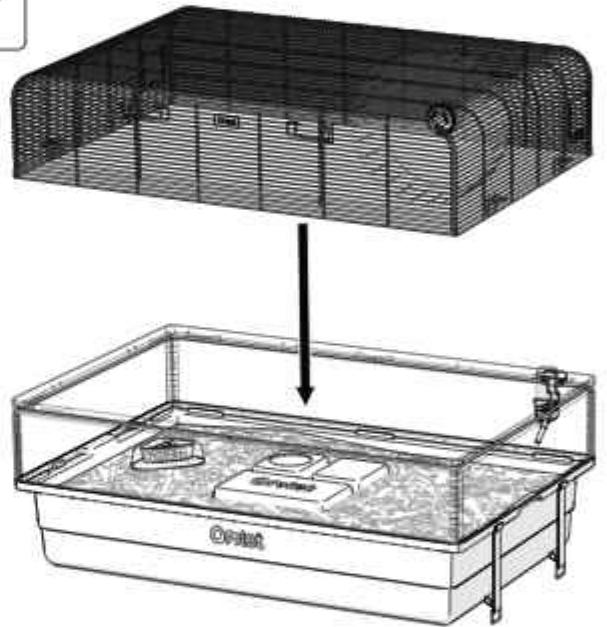
Top up bedding if necessary



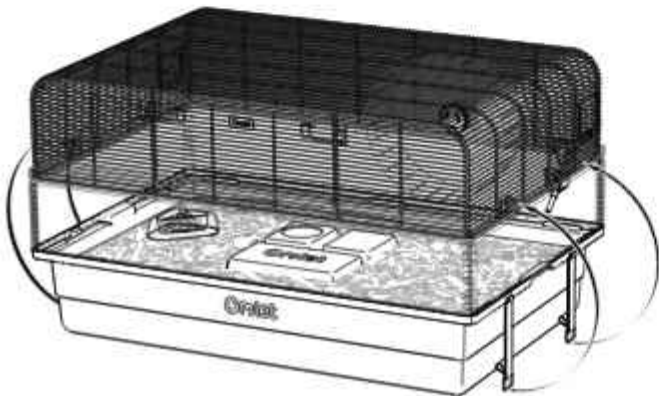
6



7

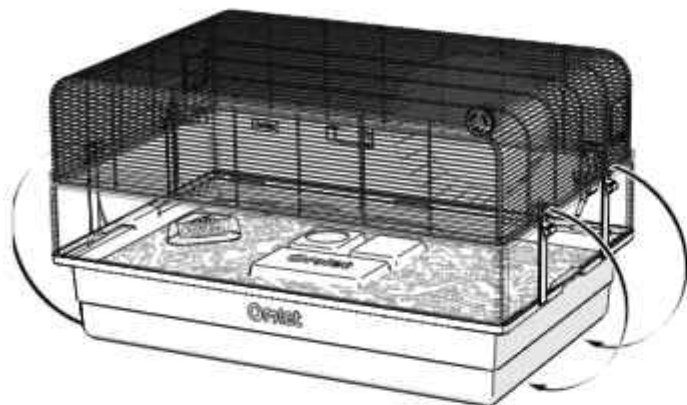


8

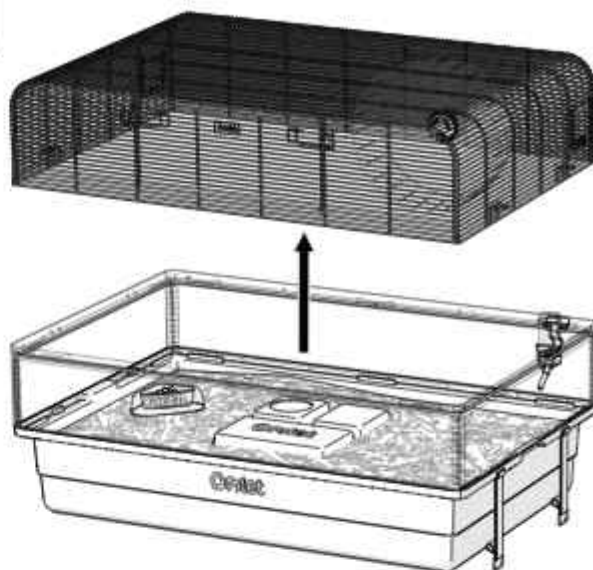


Full Clean - You should disassemble and clean all removable parts at least once a month

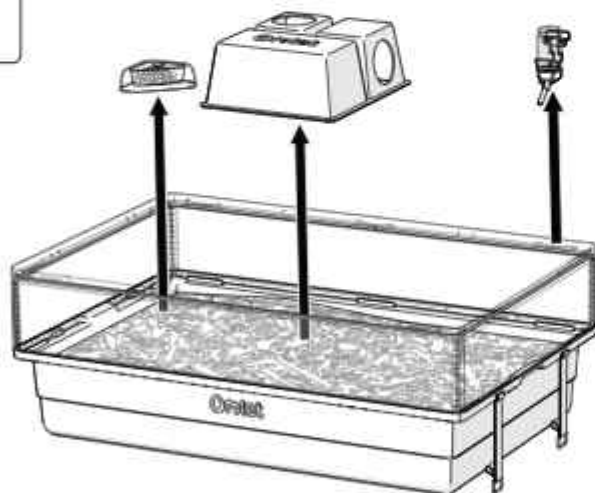
1



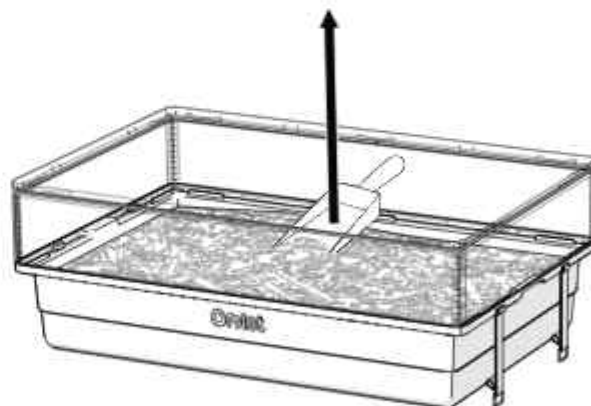
2



3



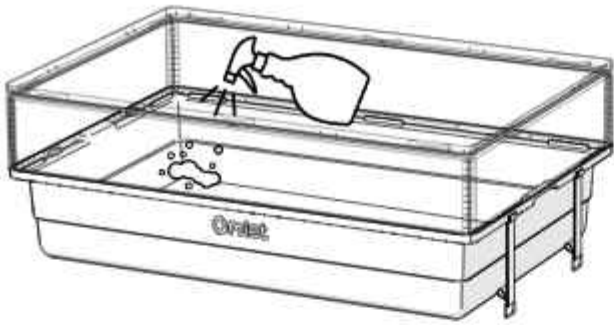
4



Save some bedding with your hamsters scent to add into new bedding



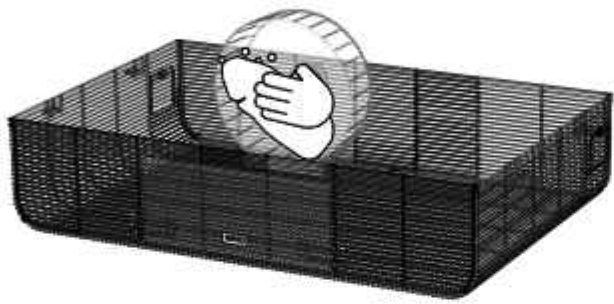
5



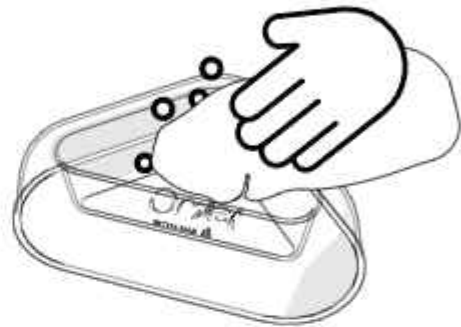
6



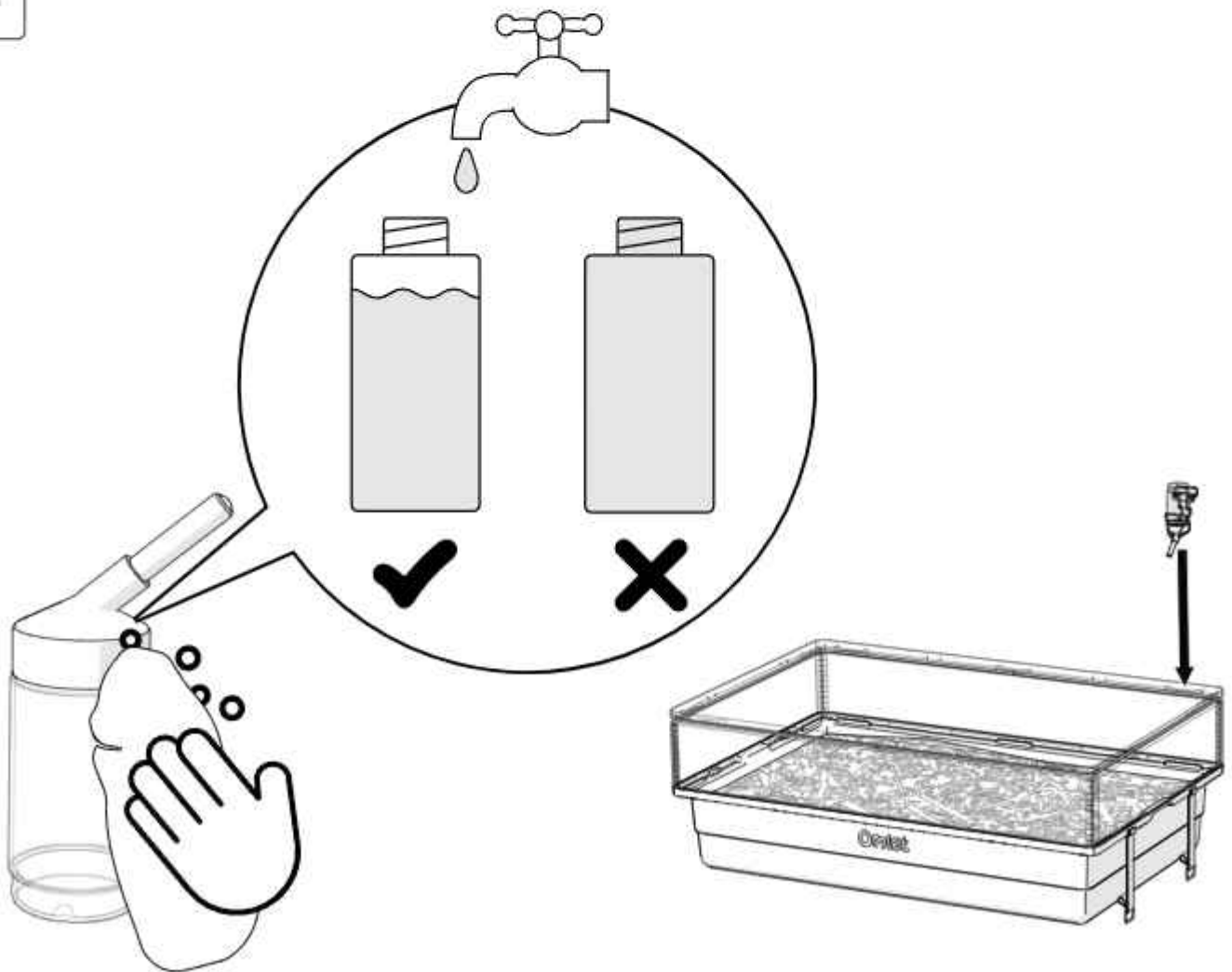
7



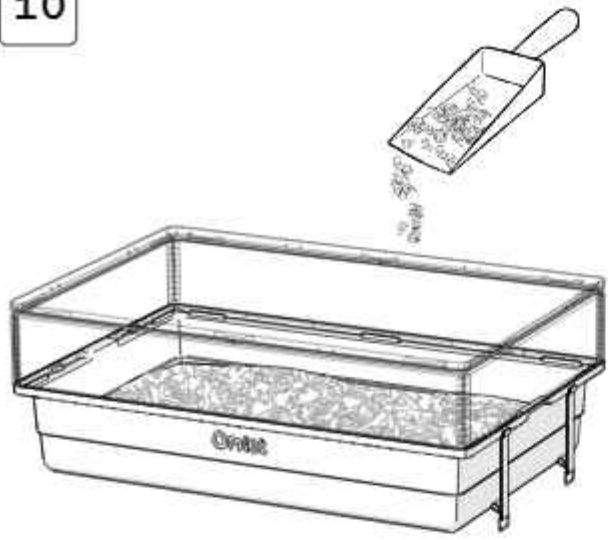
8



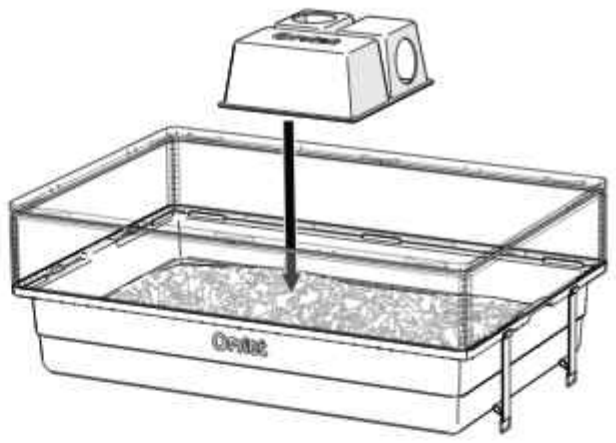
9



10



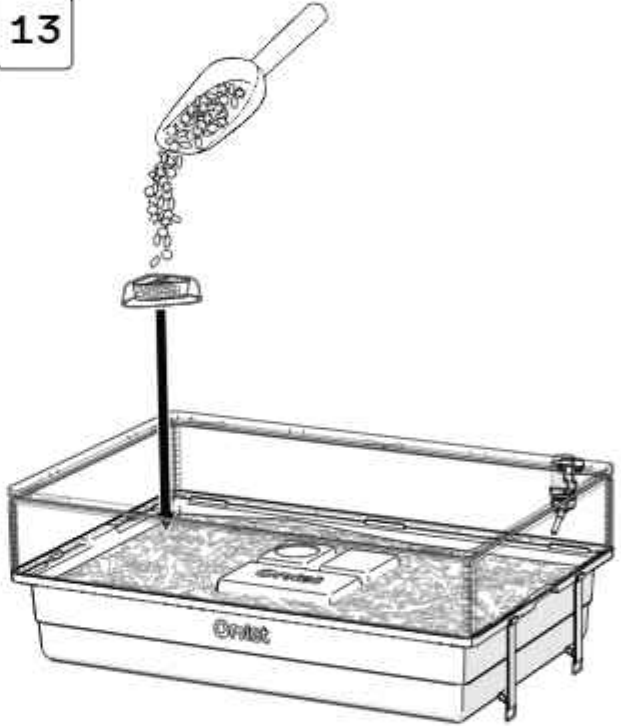
11



12



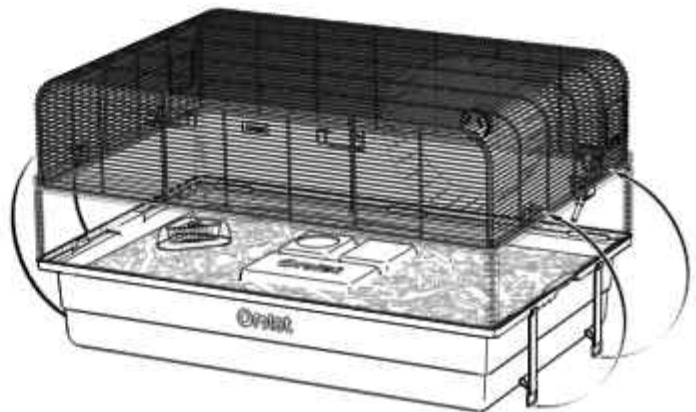
13



14



15



### **DOs**

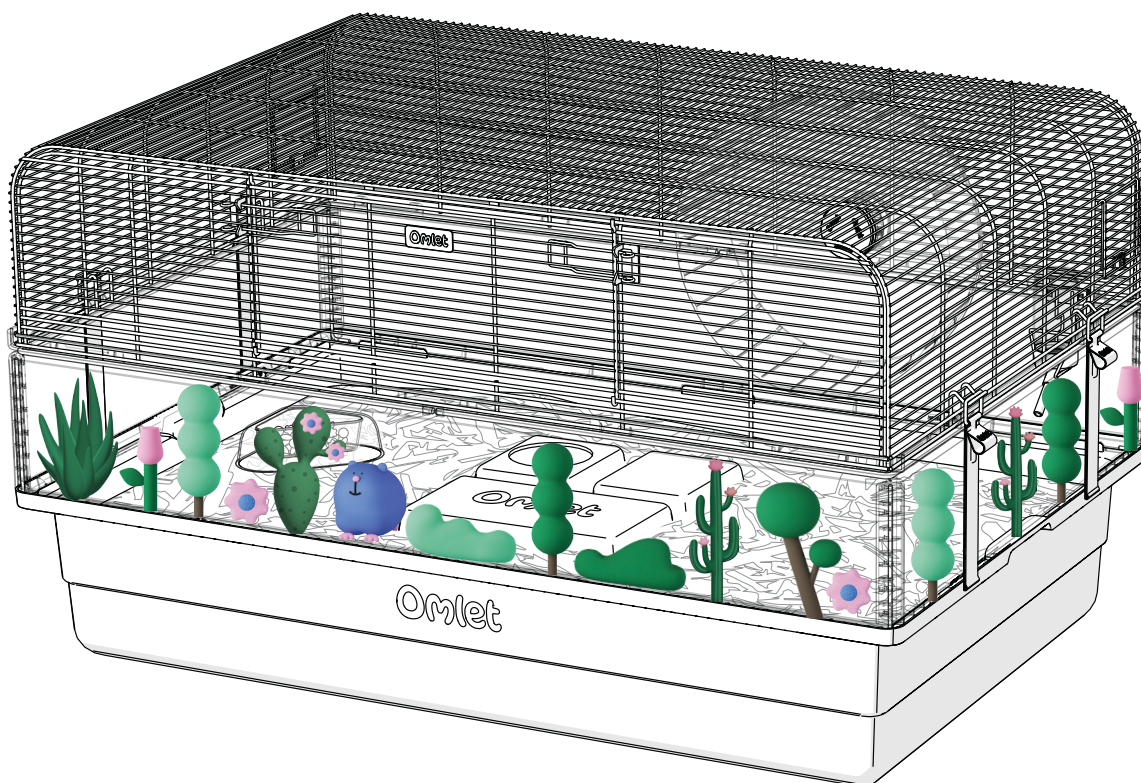
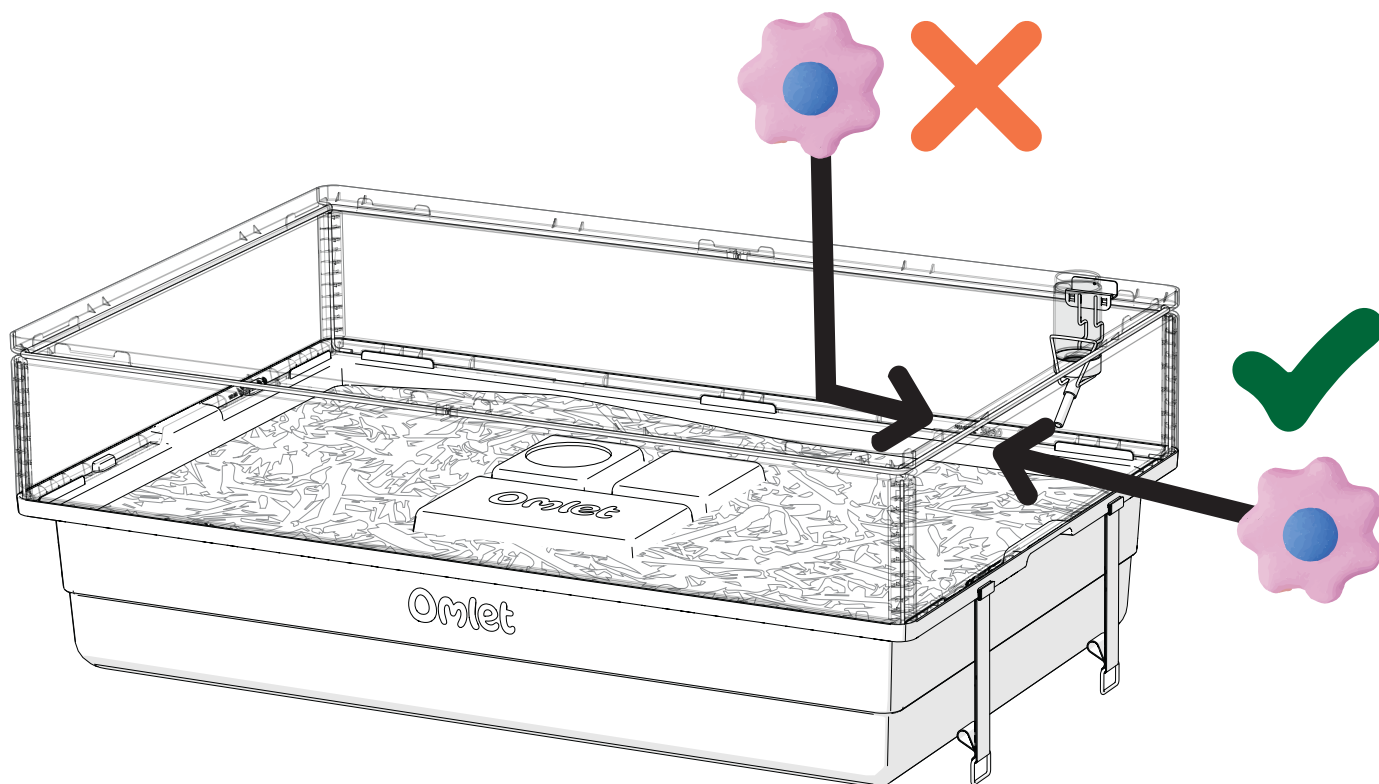
- Follow the assembly instructions to make sure that the product works as intended.
- Give your pets access to fresh feed and water at all times.
- Use a non-abrasive pet safe disinfectant and soft cloth to clean your Hamster Habitat.
- Call or email us if you need further advice.

### **DON'Ts**

- You should not place your Hamster Habitat in drafty, damp or wet conditions or in direct sunlight.
- You should not use your Hamster Habitat for transporting your pet.
- You should not sit, stand or climb on your Hamster Habitat.
- The Hamster Habitat is not a toy.

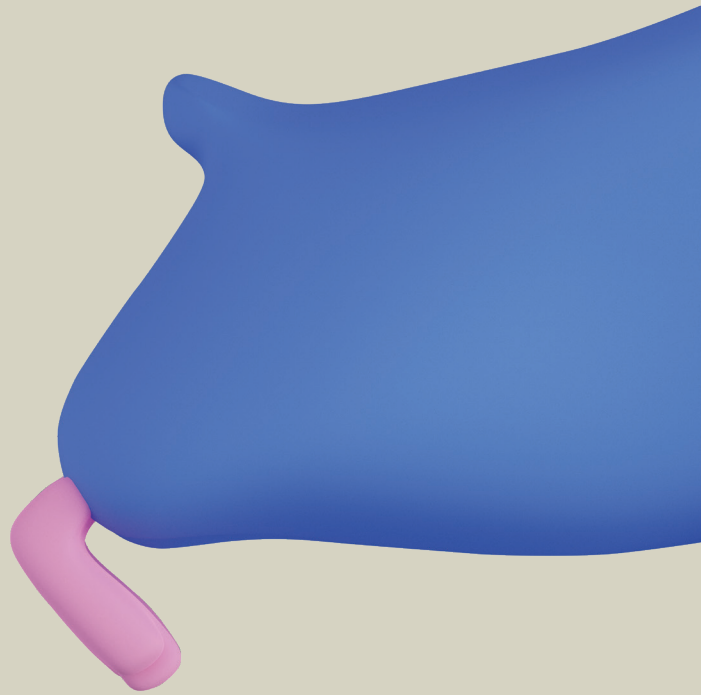
# DON'T FORGET!

The final step is decorating your hamsters new home with our Omlet stickers!





# POWER TO LITTLE PETS



**Omlet**



Please  
reuse &  
recycle.

© Copyright Omlet Ltd. 2024  
Design registered, patent pending  
Omlet is a registered trademark of Hebe Studios Ltd.  
820.2629 Instruction Manual Hamster Habitat 07/08/2024

