

HAMSTER HABITAT

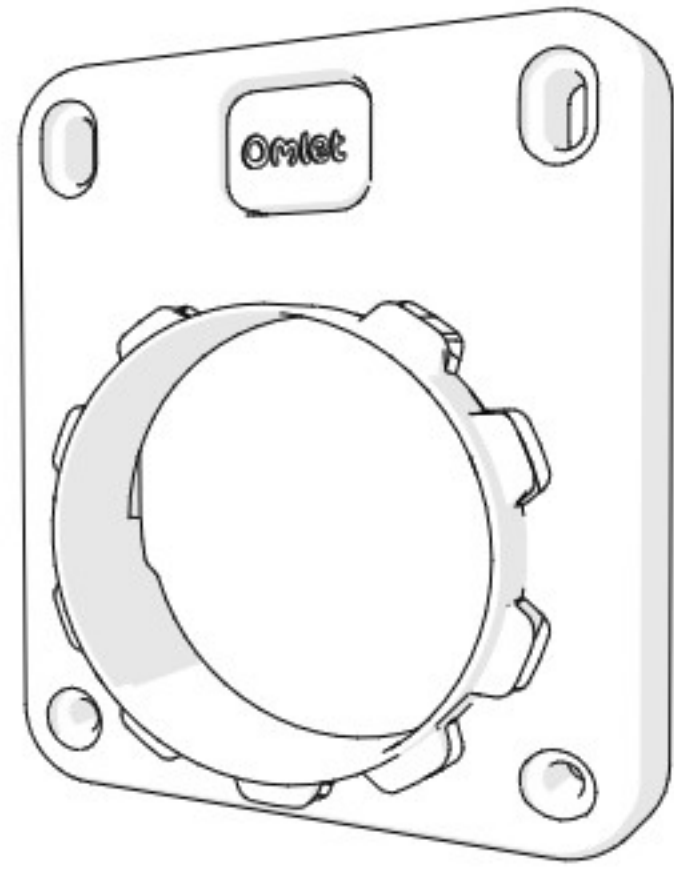
Connection Kit Assembly Guide



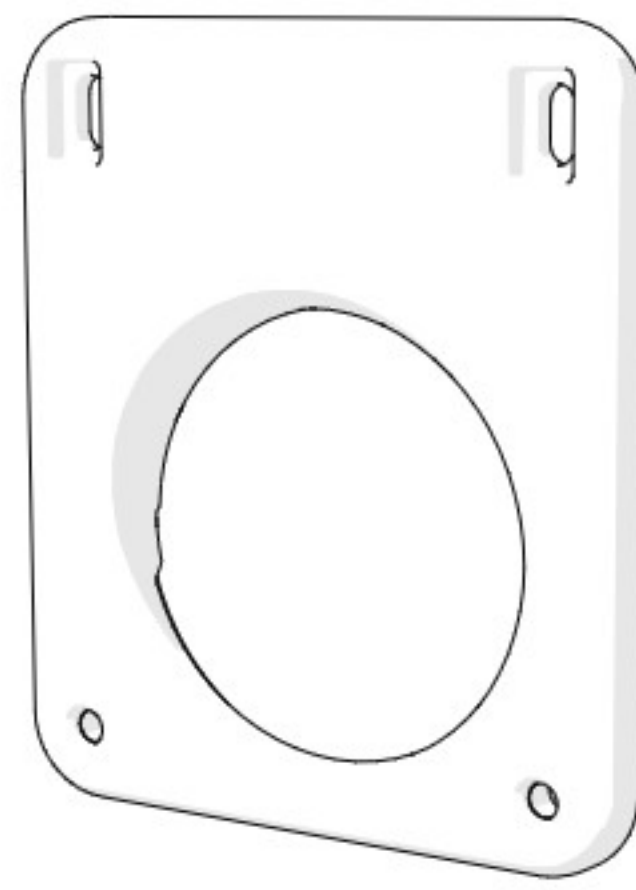
Omlet

What you have received

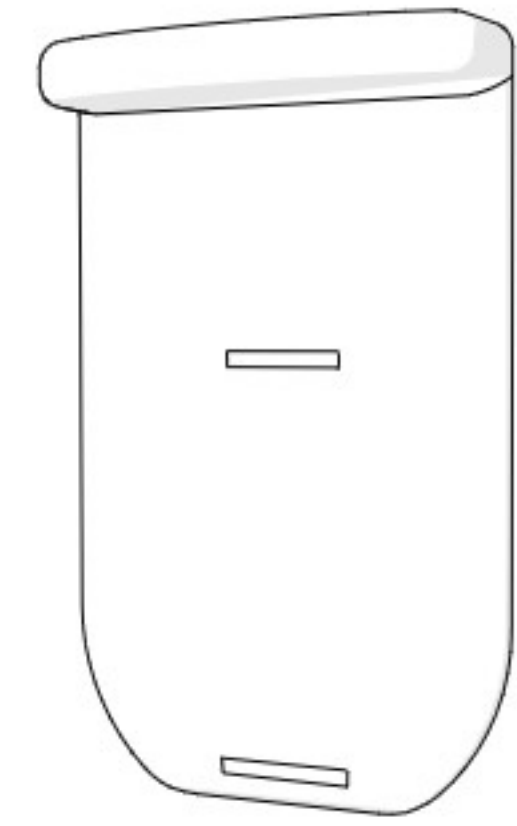
015.0350 Boxed Hamster Habitat Connection Kit



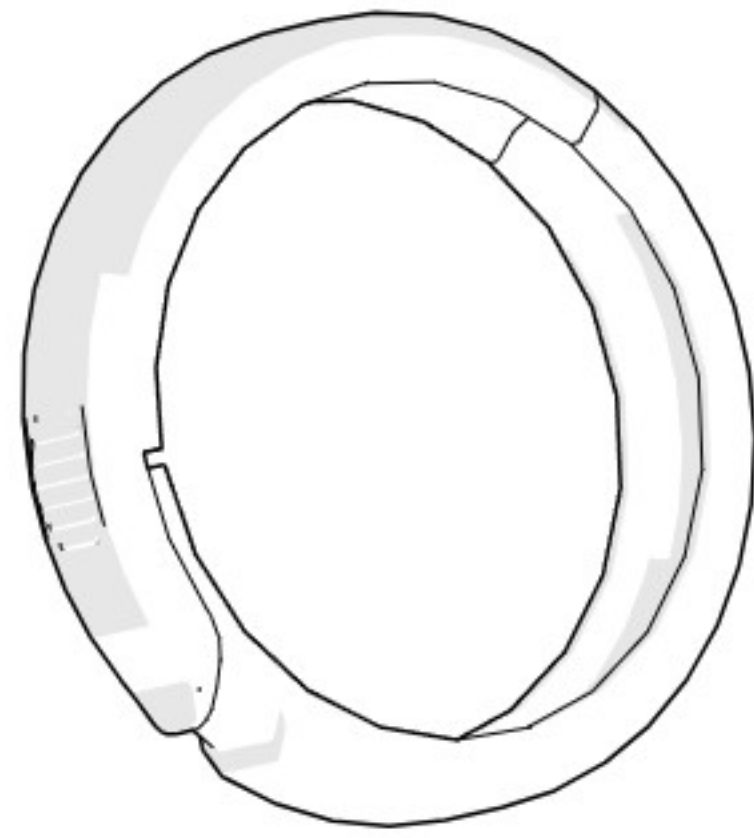
X2
Front Door
015.0270



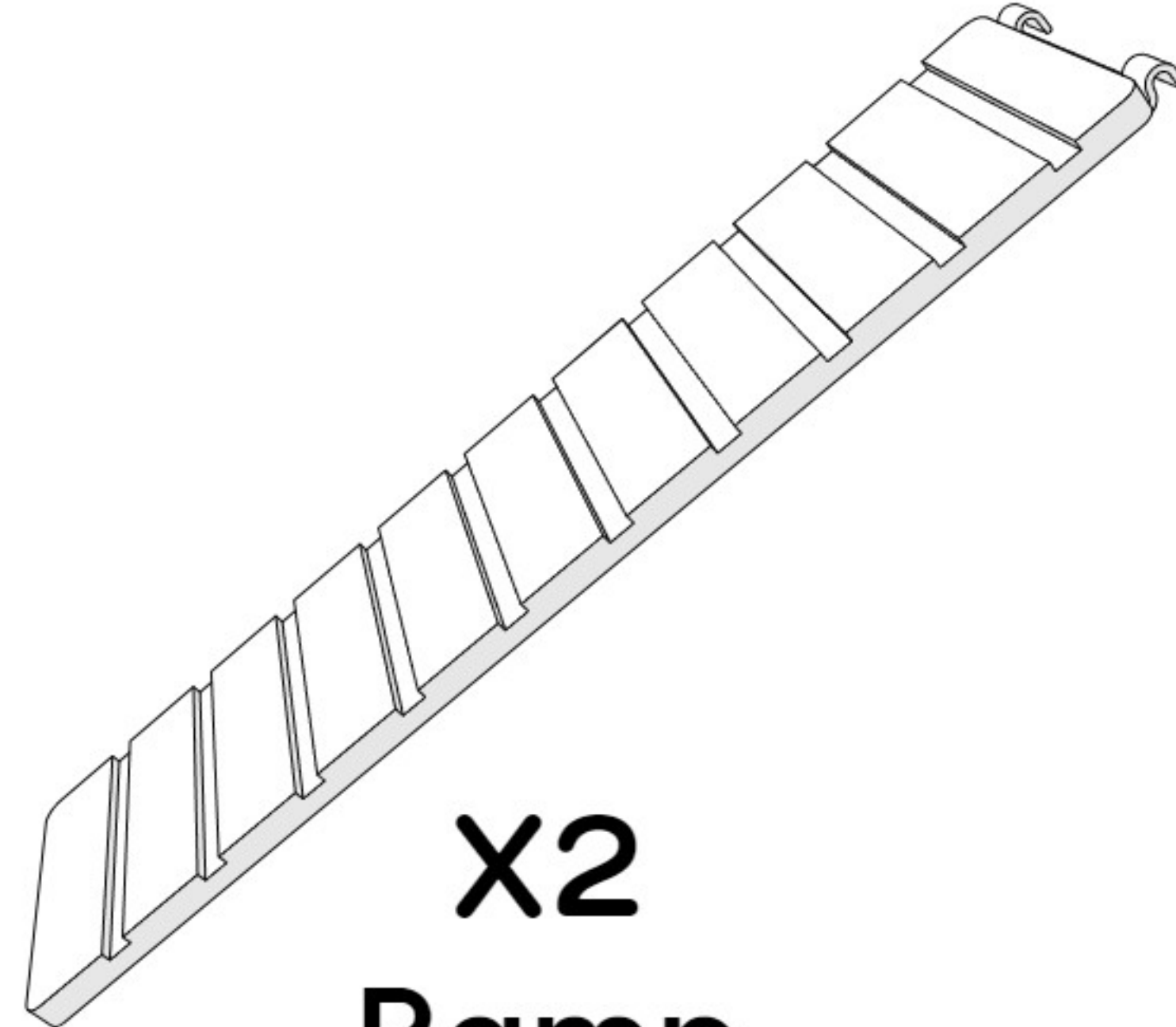
X2
Back Door
015.1341



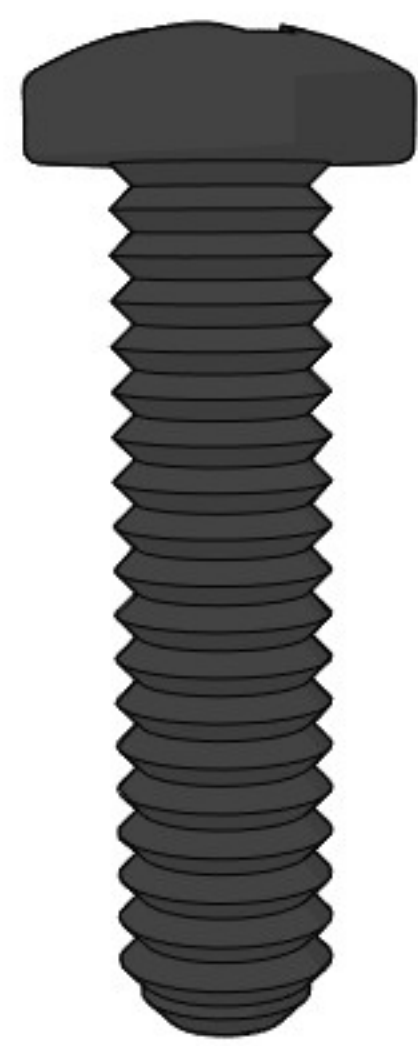
X2
Sliding Door
015.1342



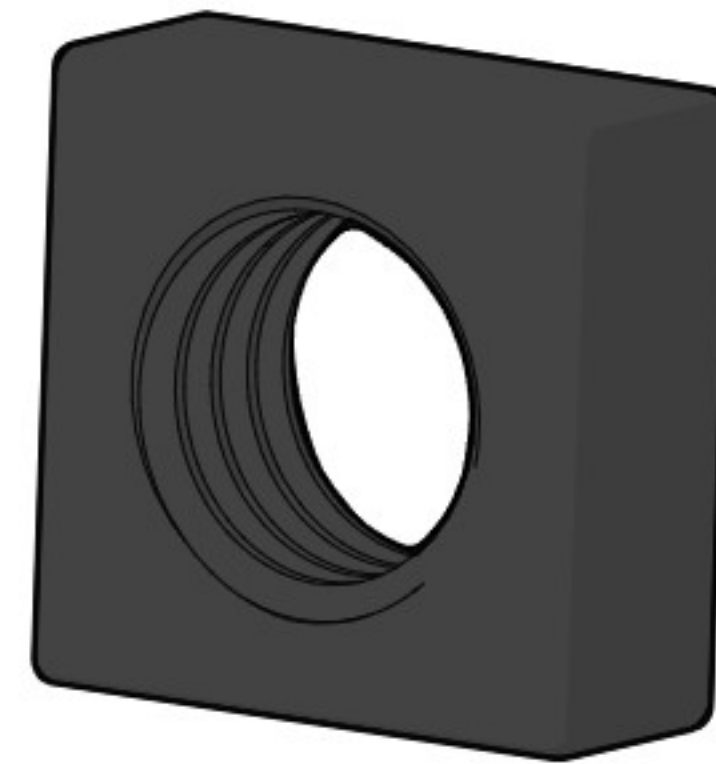
X2
Tunnel Connector
015.1345



X2
Ramp
099.0028



X8
Screw M4x16 Black
800.0516

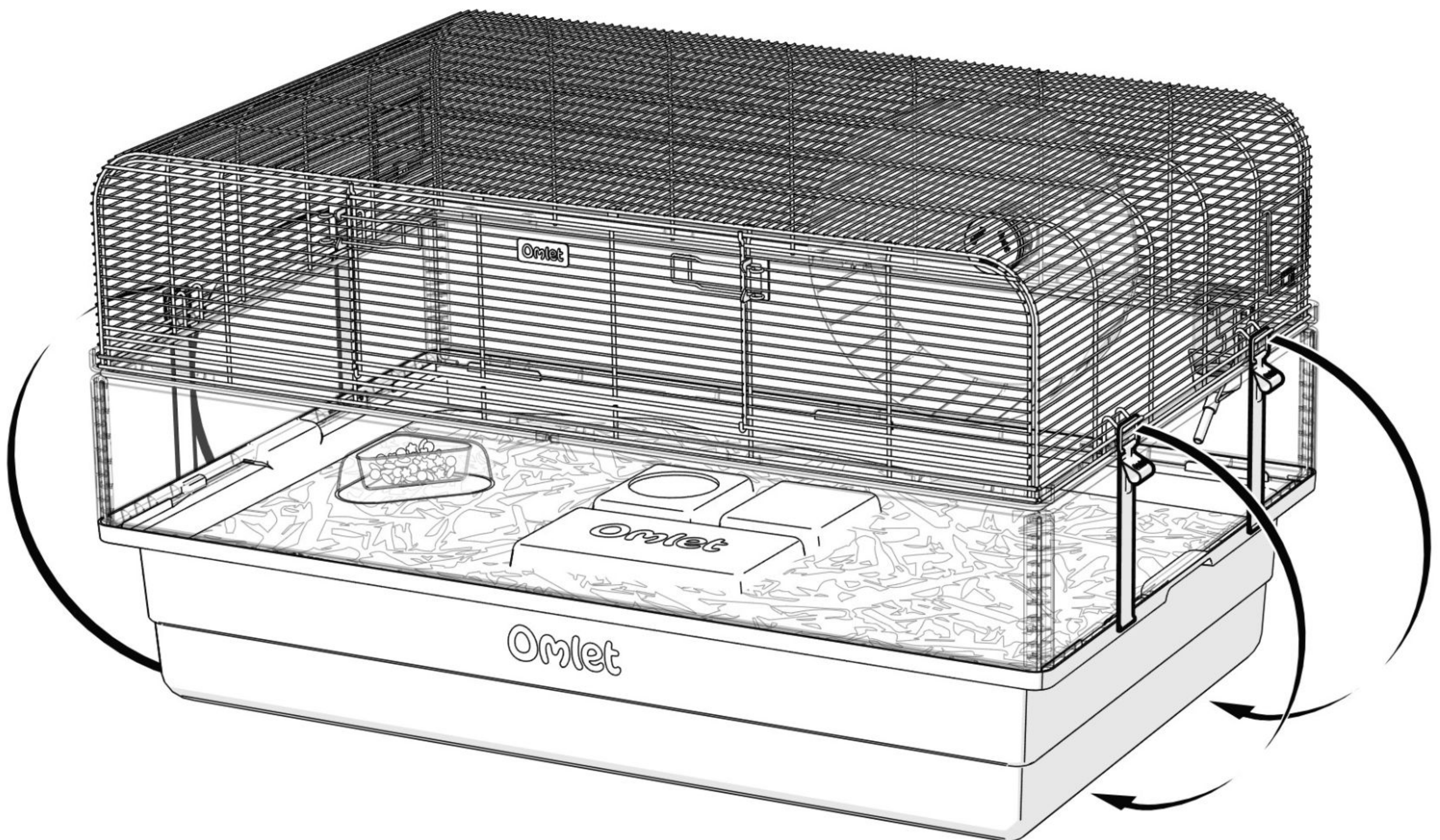


X4
M4 Square Nut Black
800.0508

You will need...



1

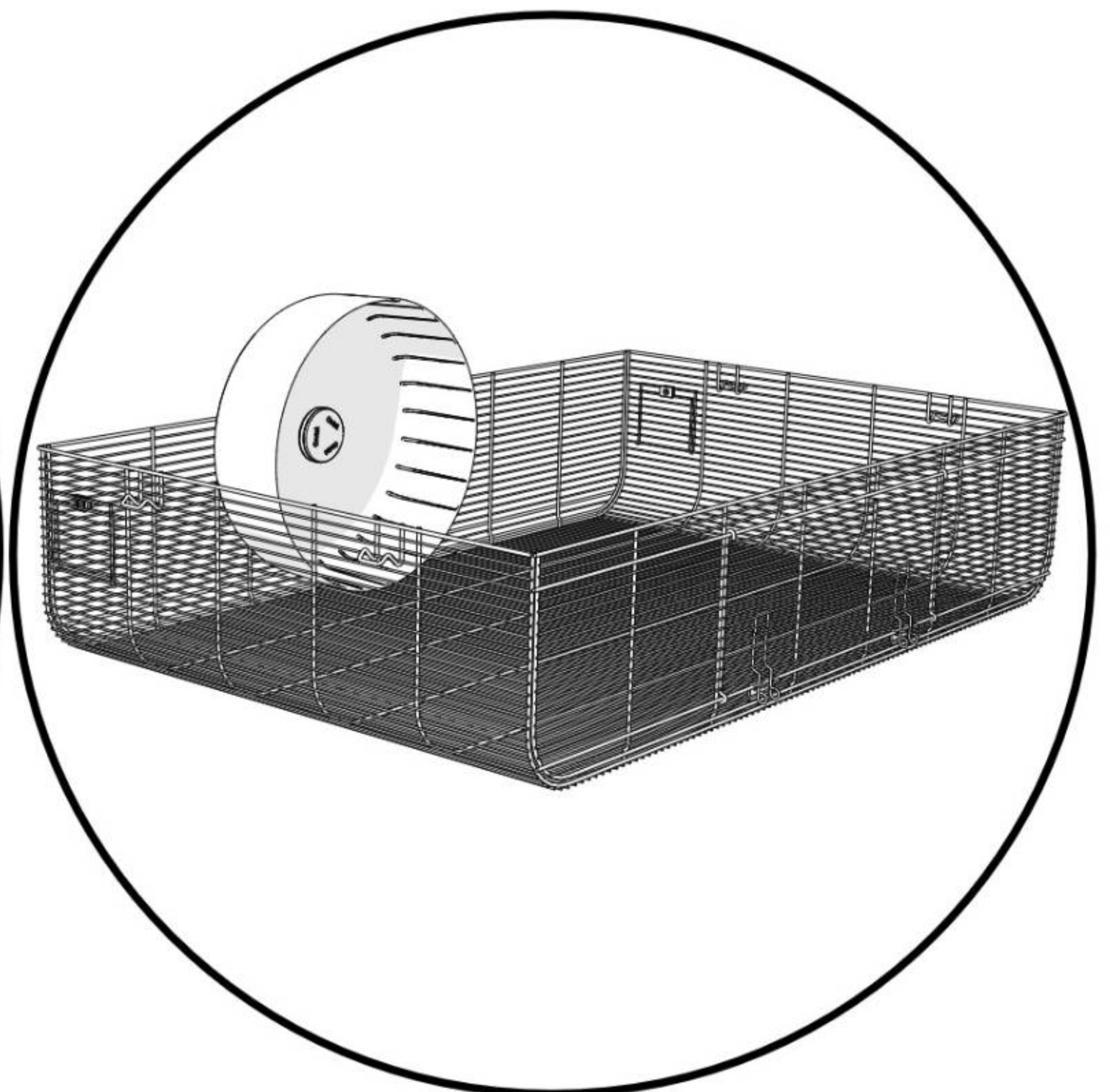
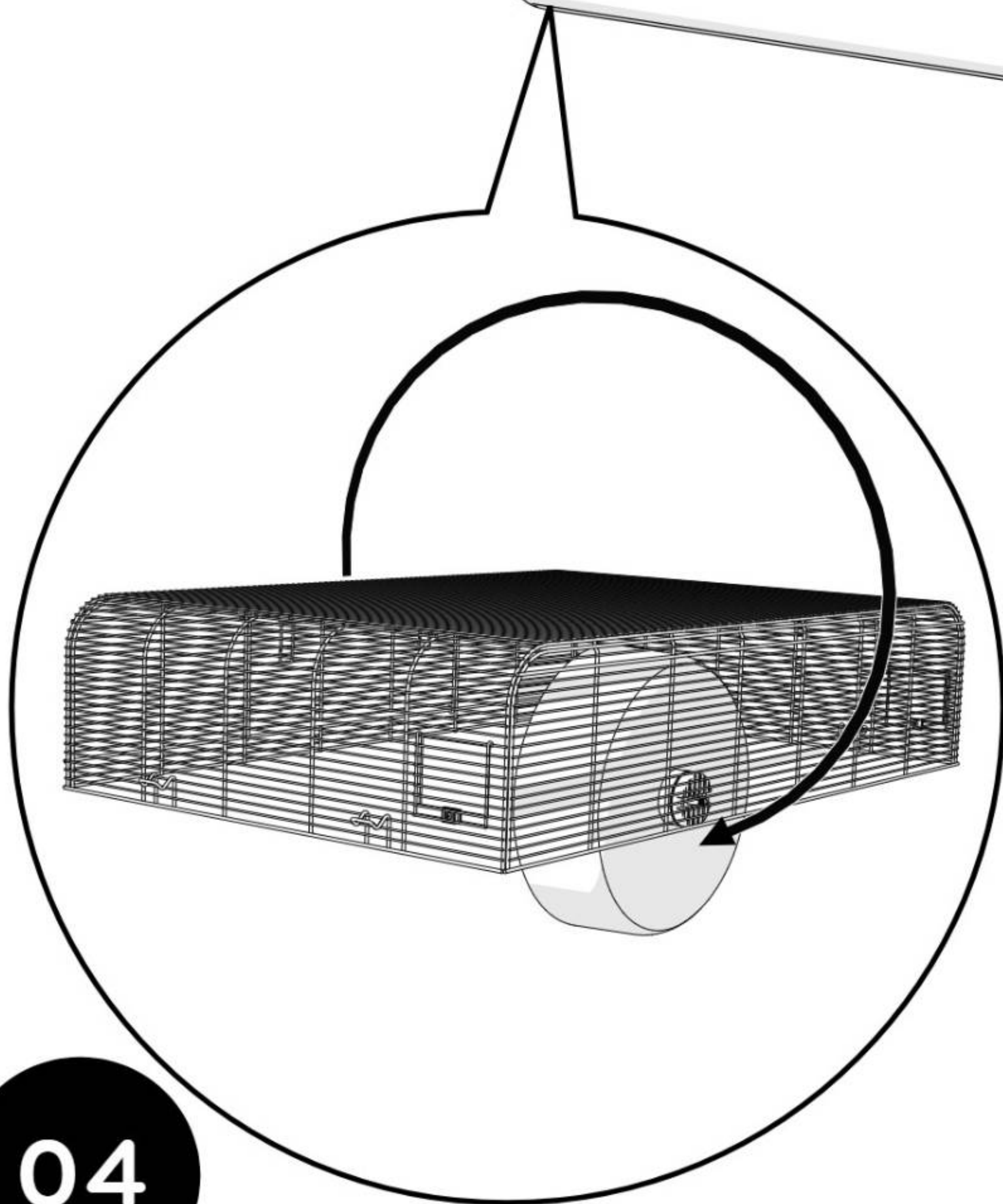
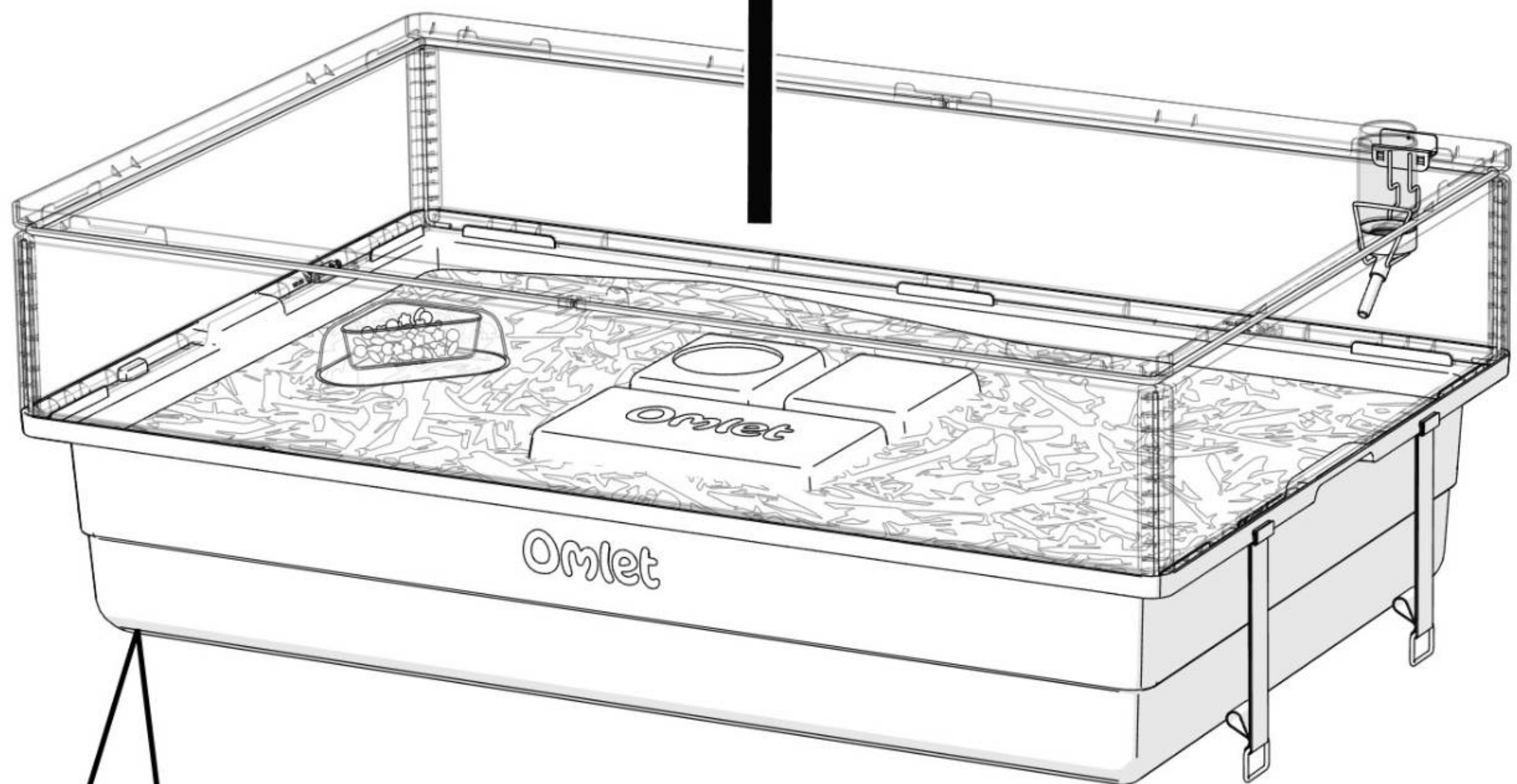
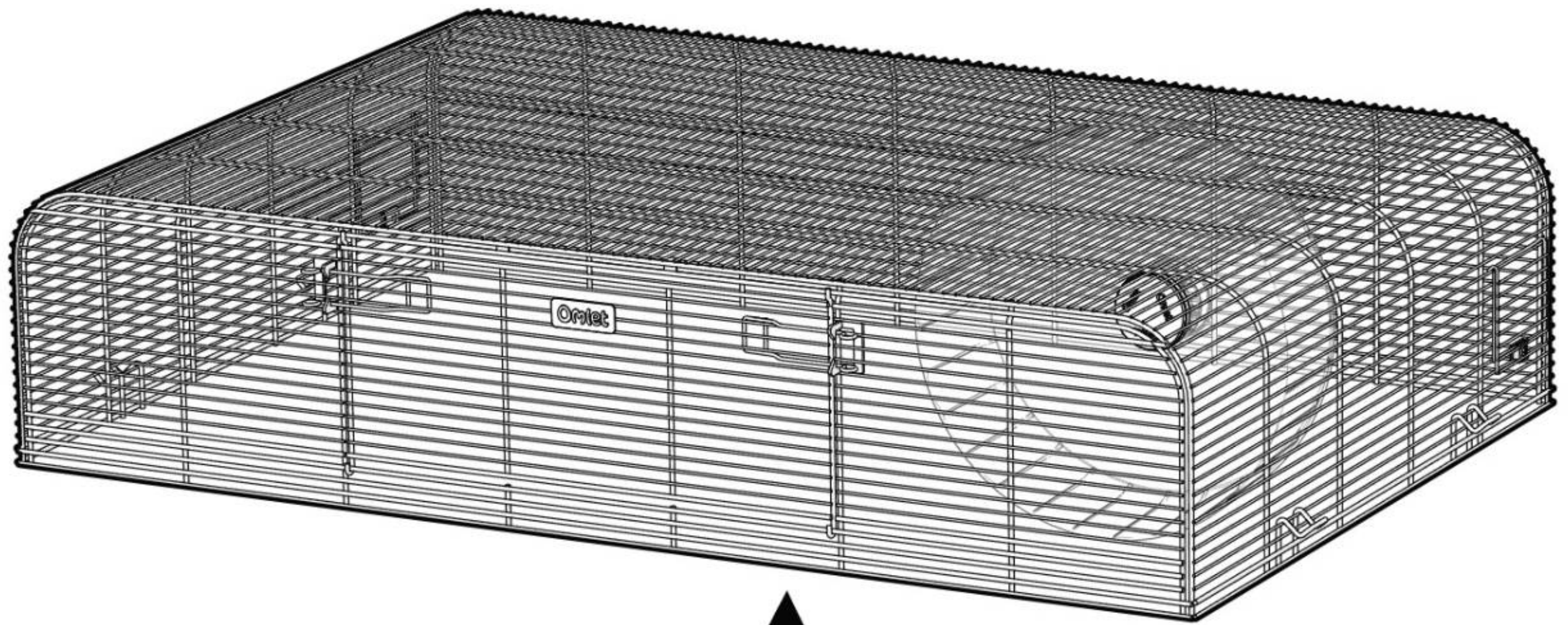


2

If you have Platforms attached to the mesh, remove all accessories from them.



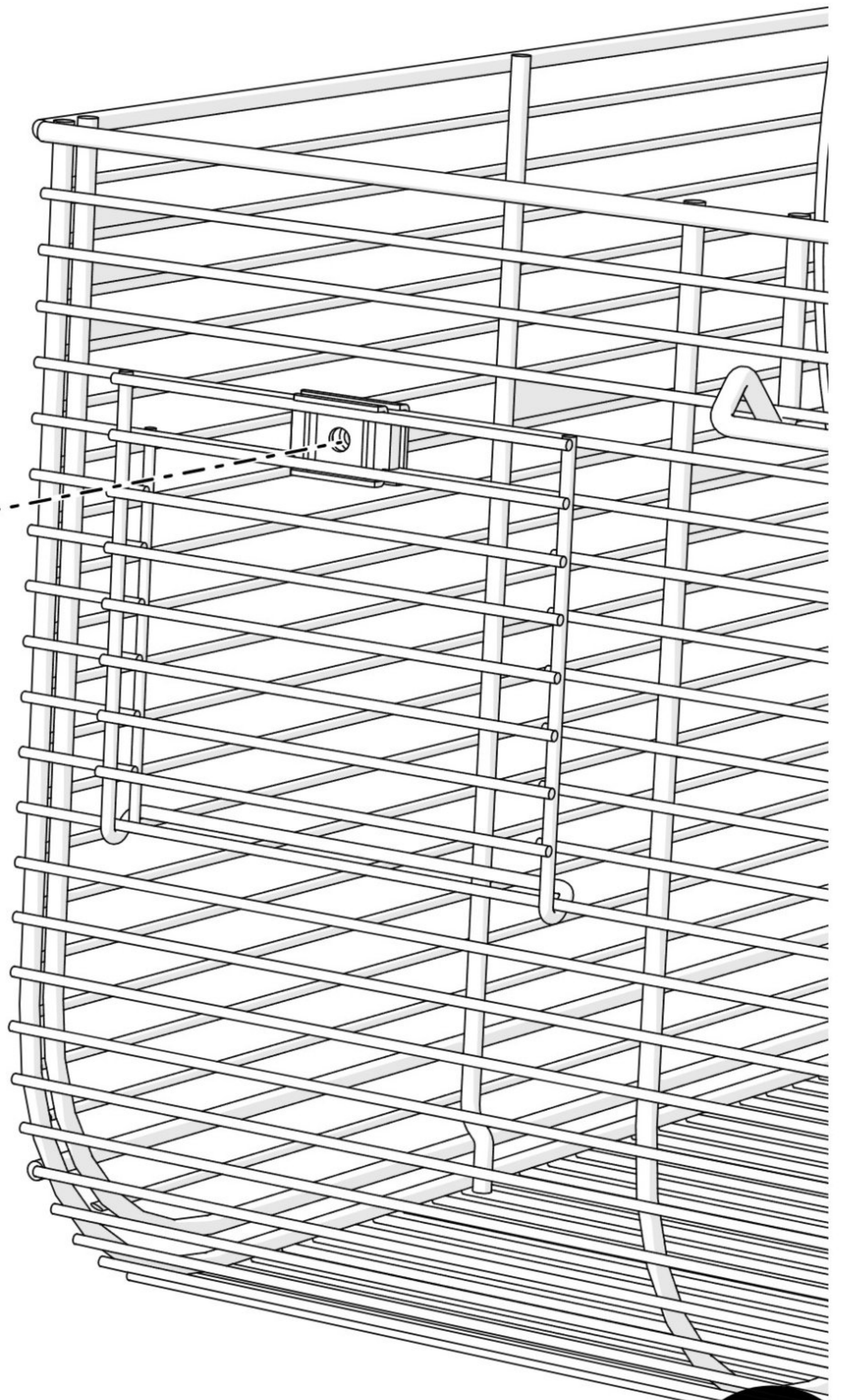
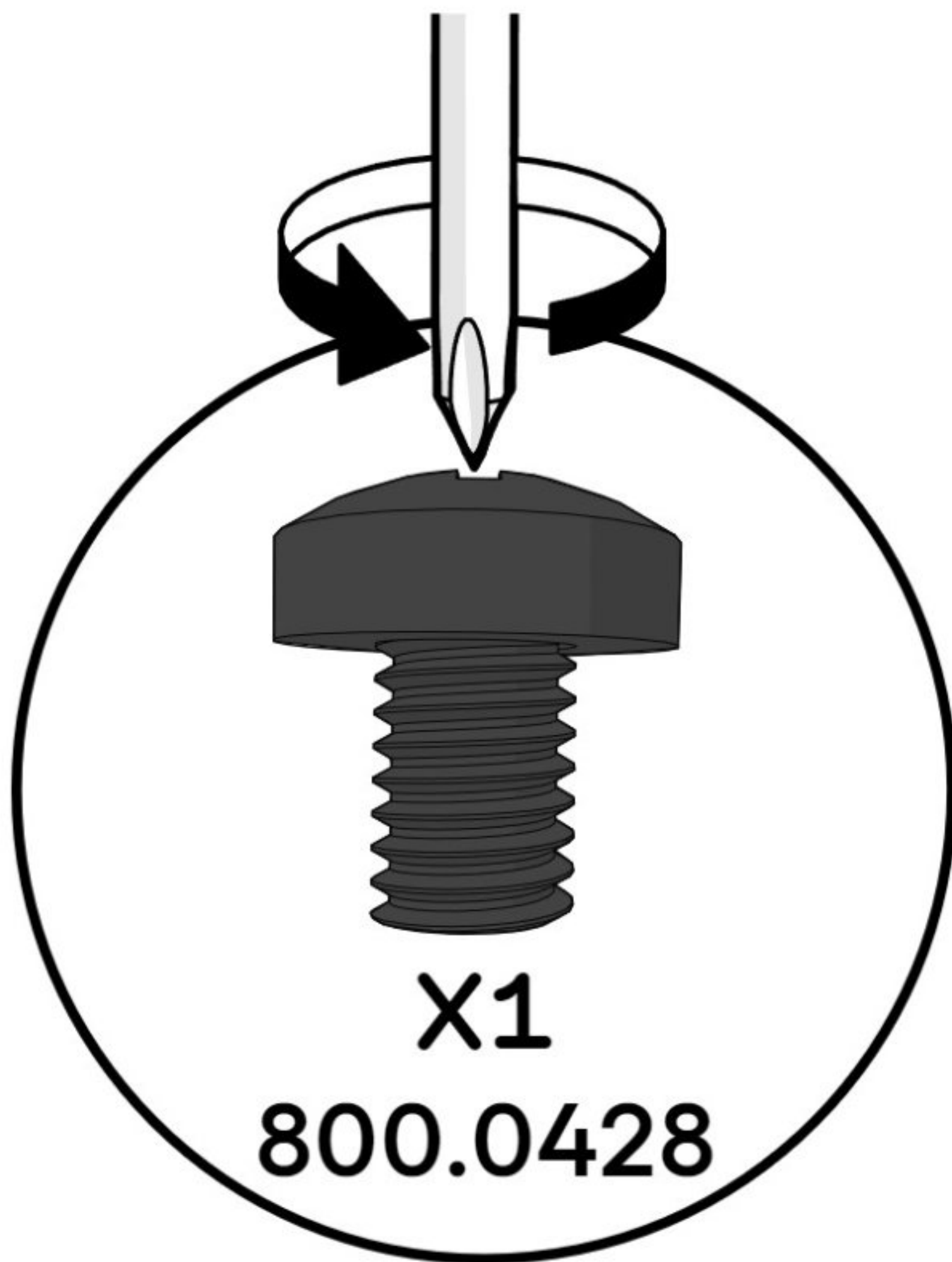
3



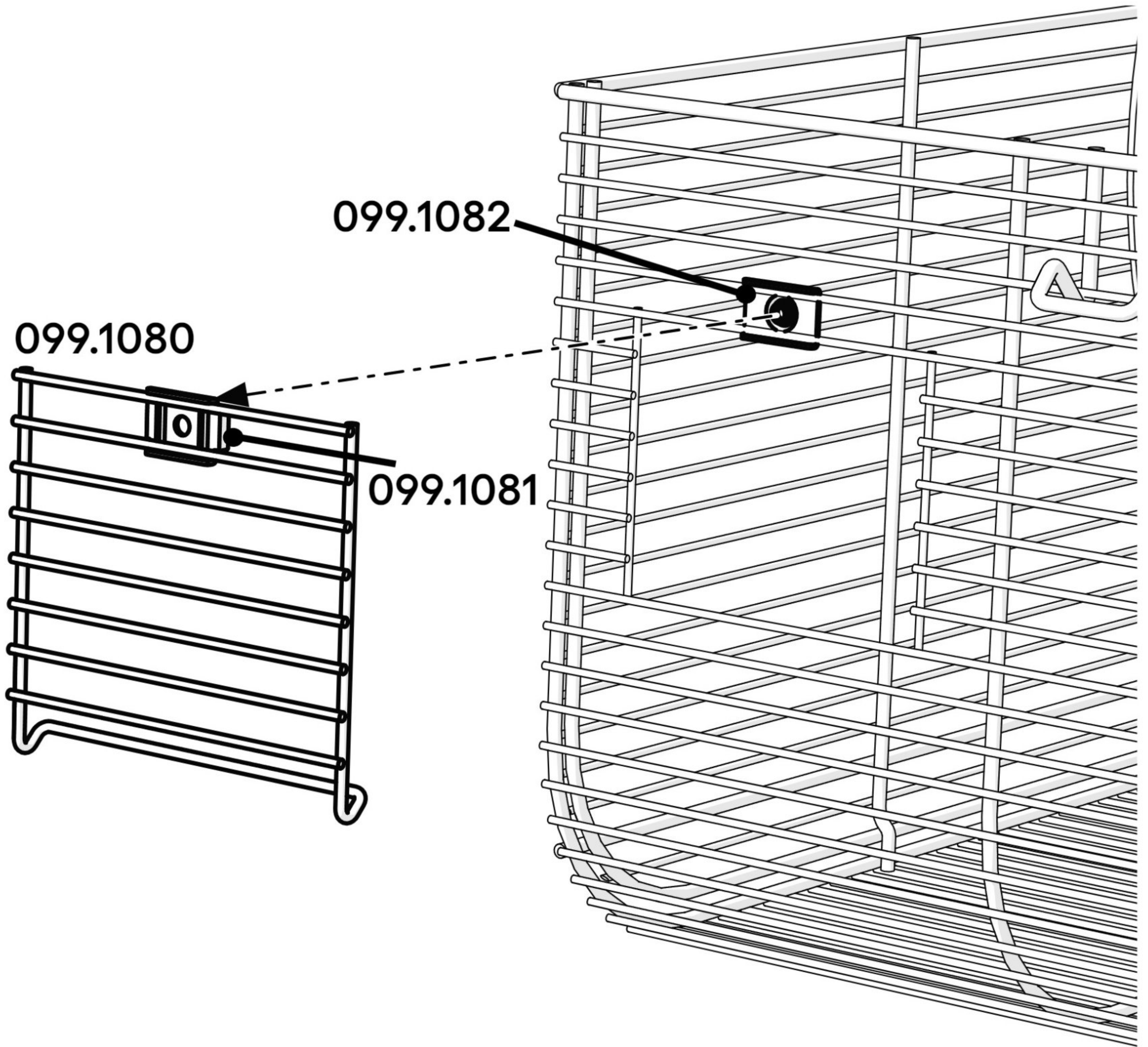
Please keep all parts removed in steps 4 and 5 somewhere safe as you might need them again one day!



4

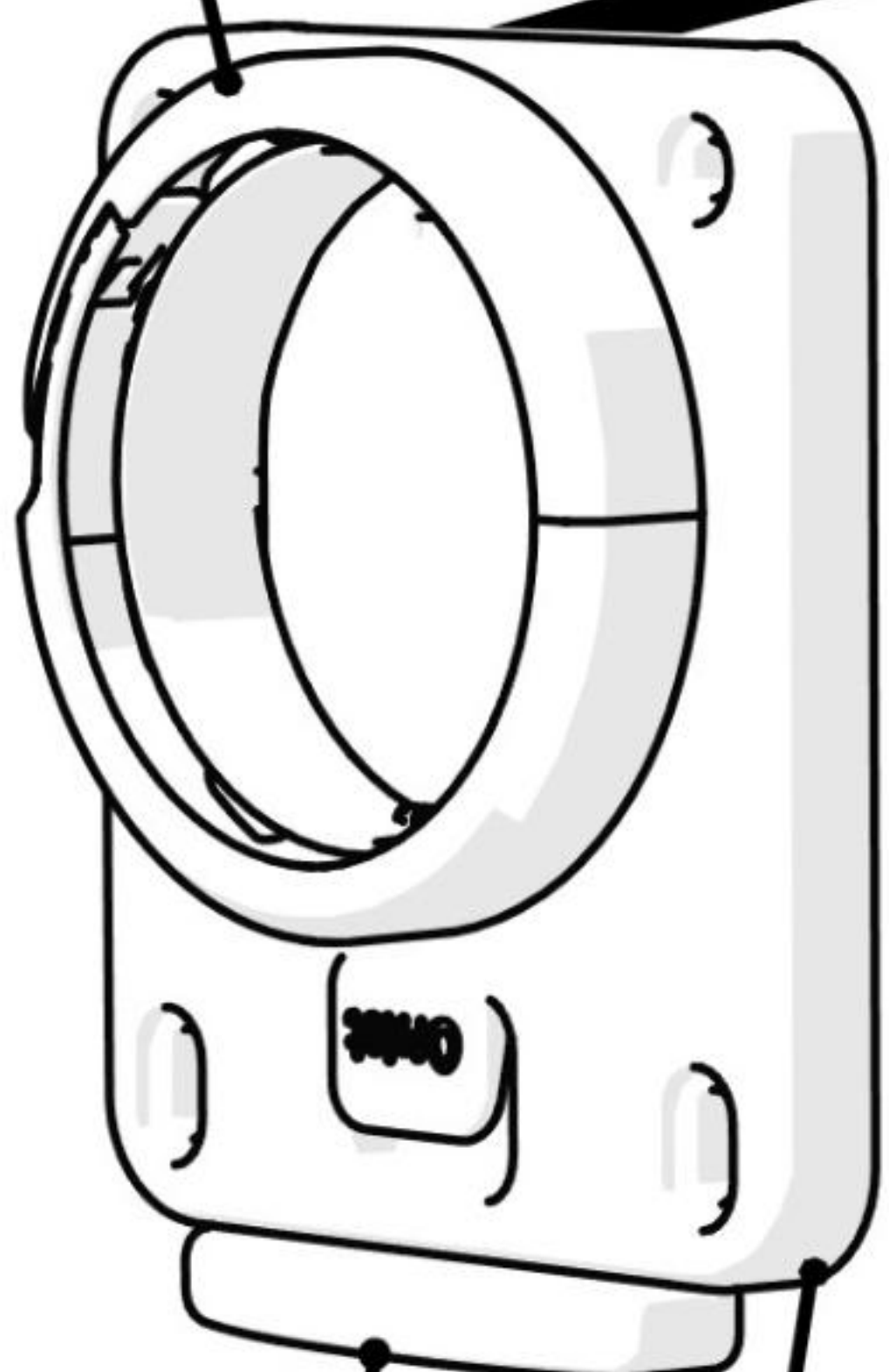


5



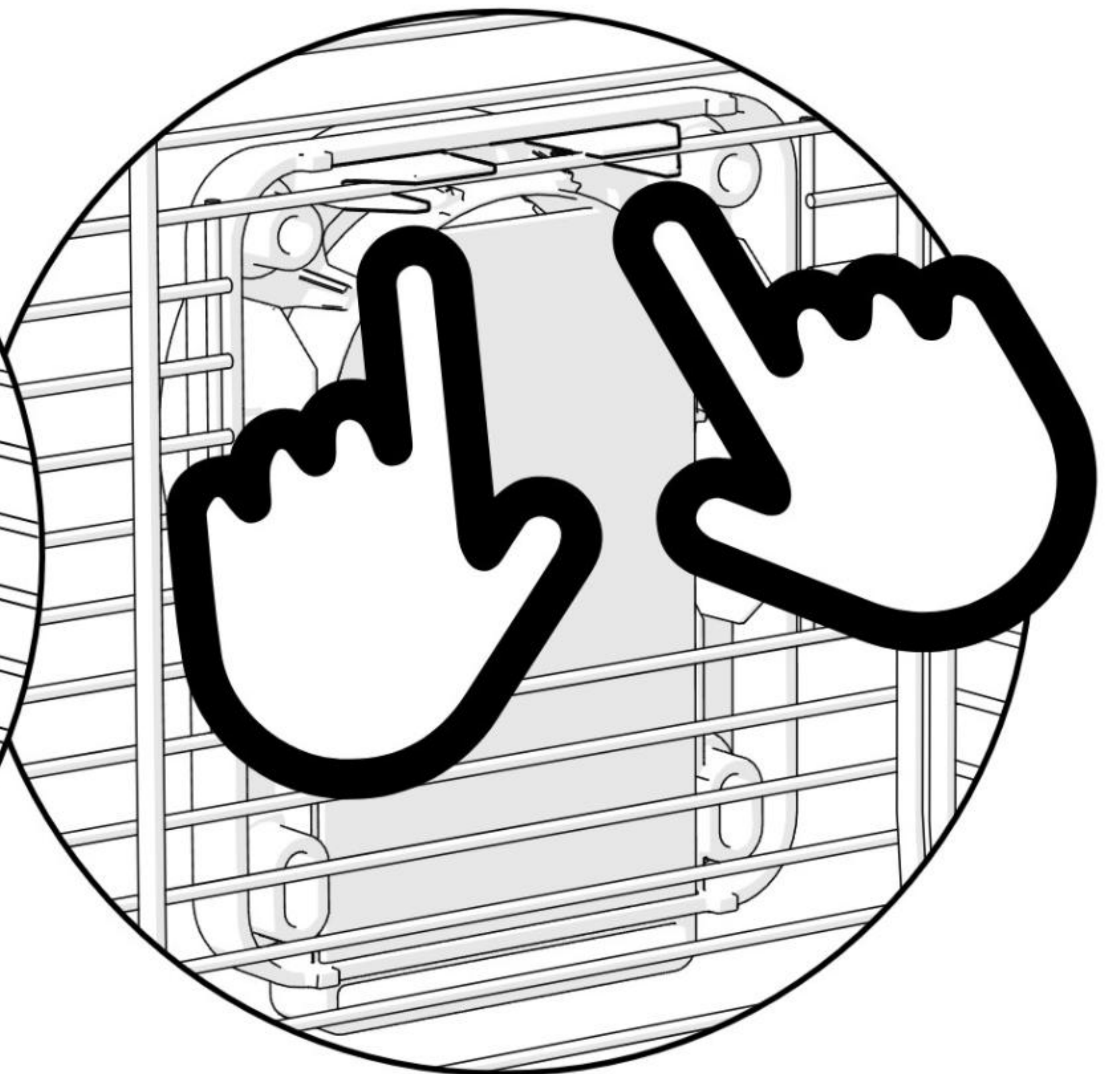
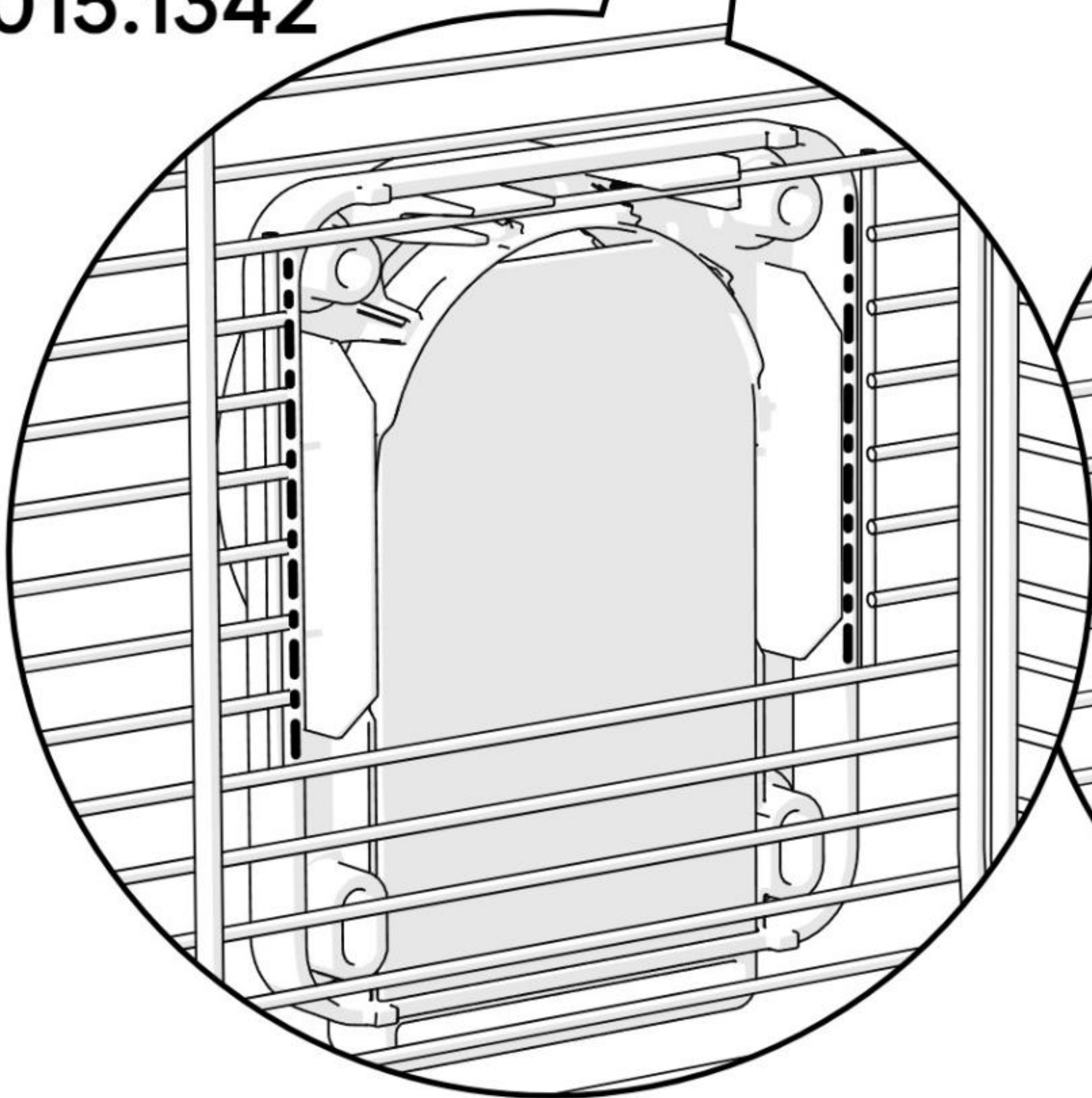
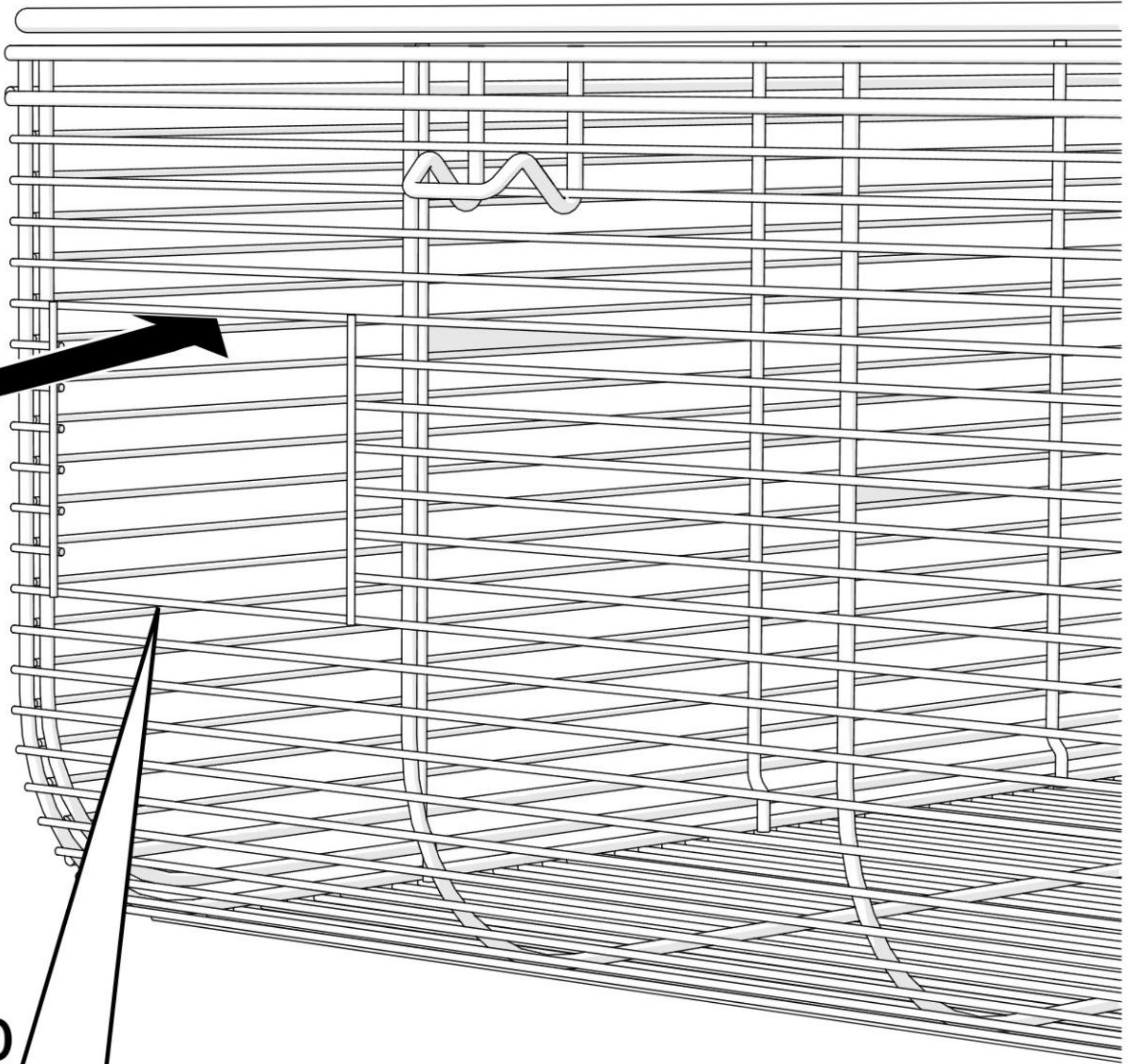
6

015.1345

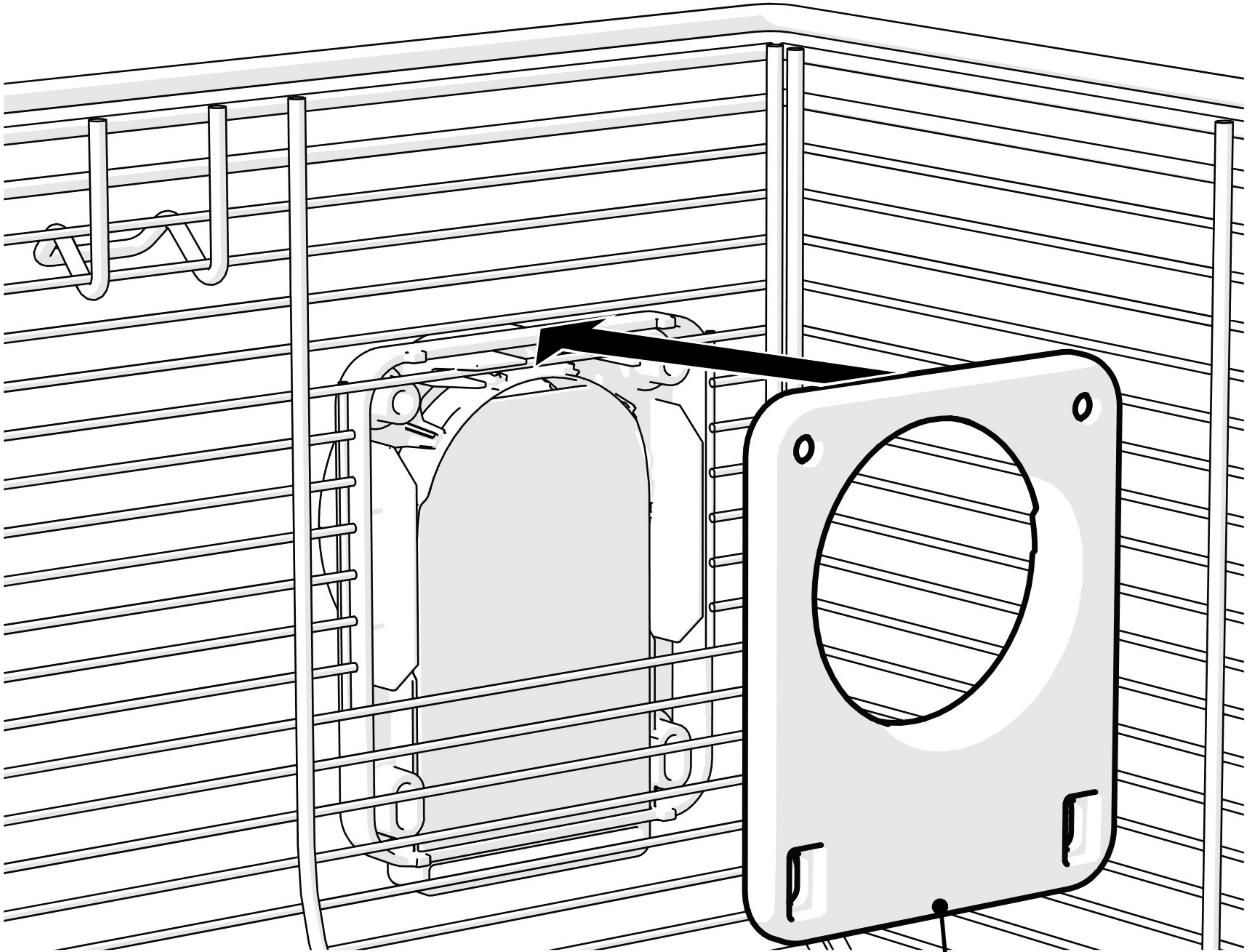


015.0270

015.1342



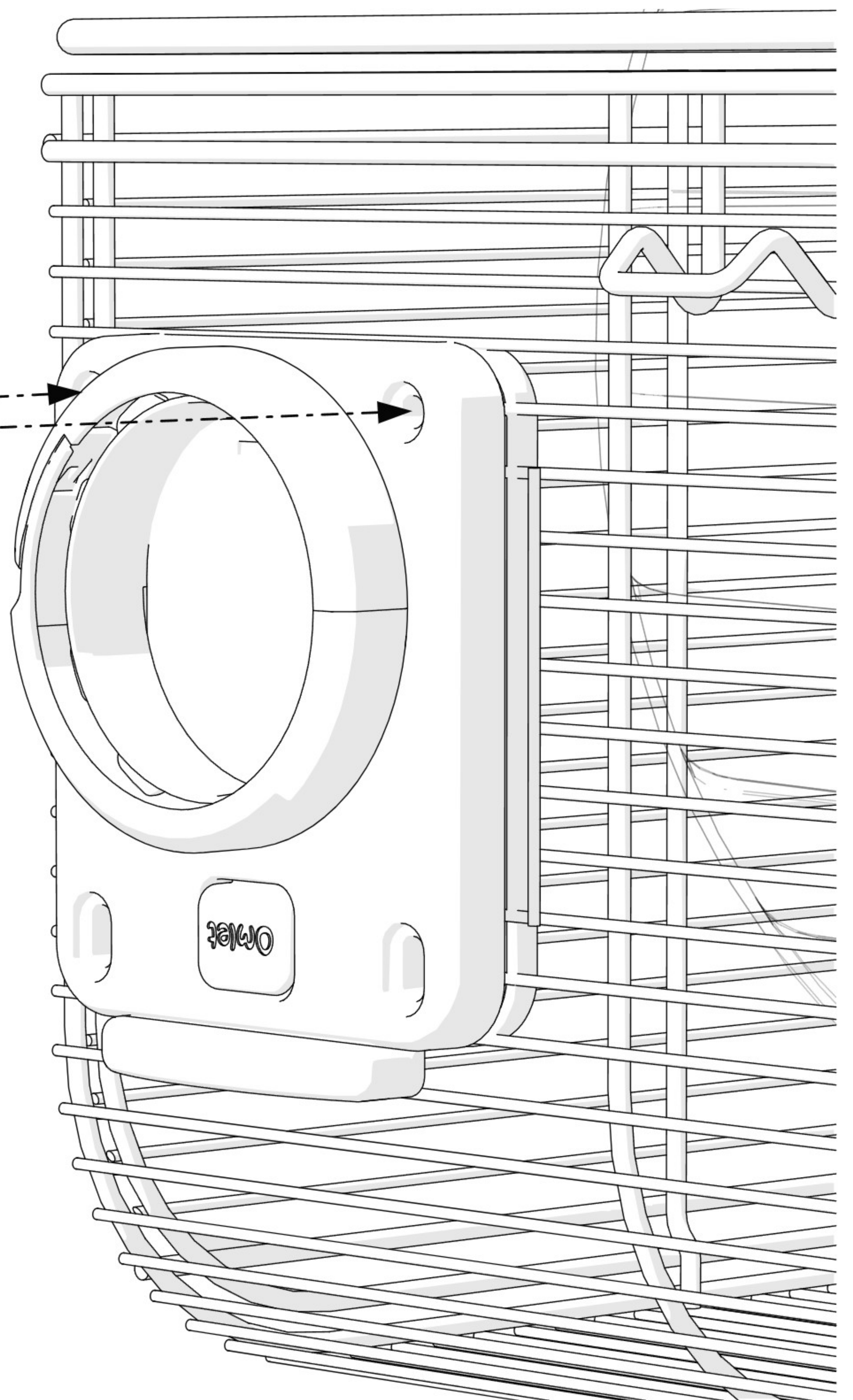
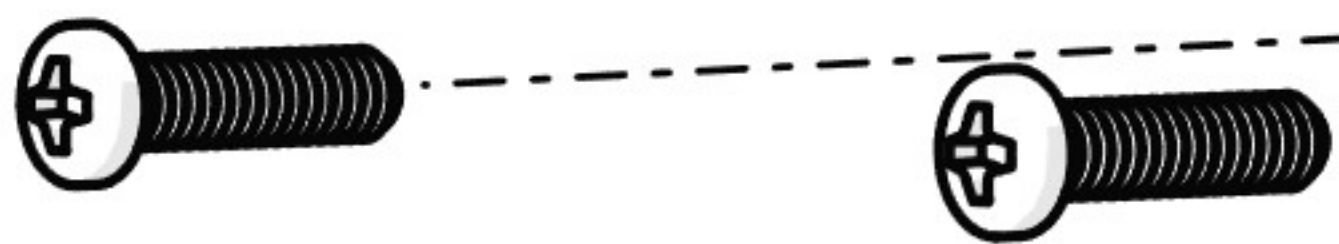
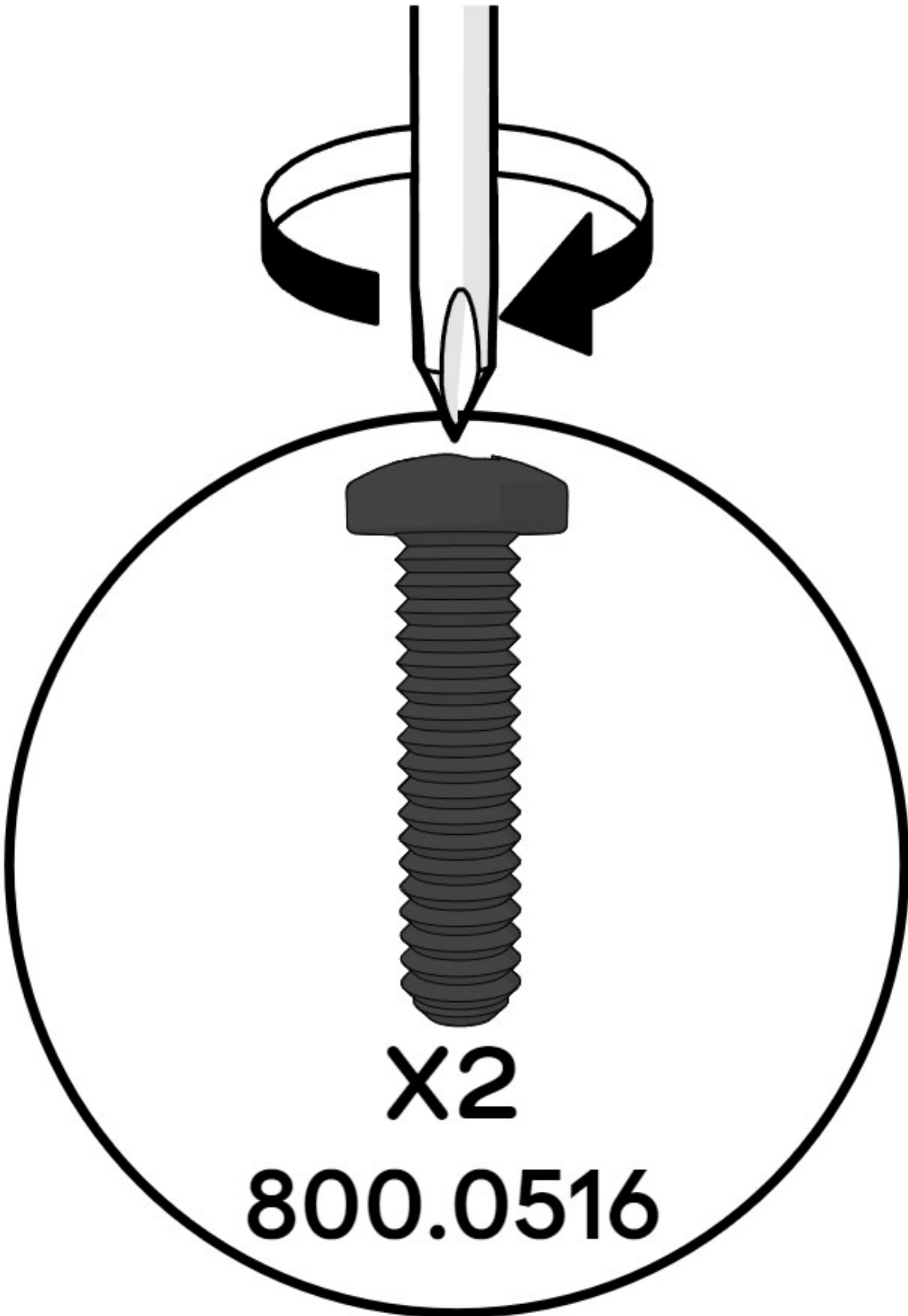
7



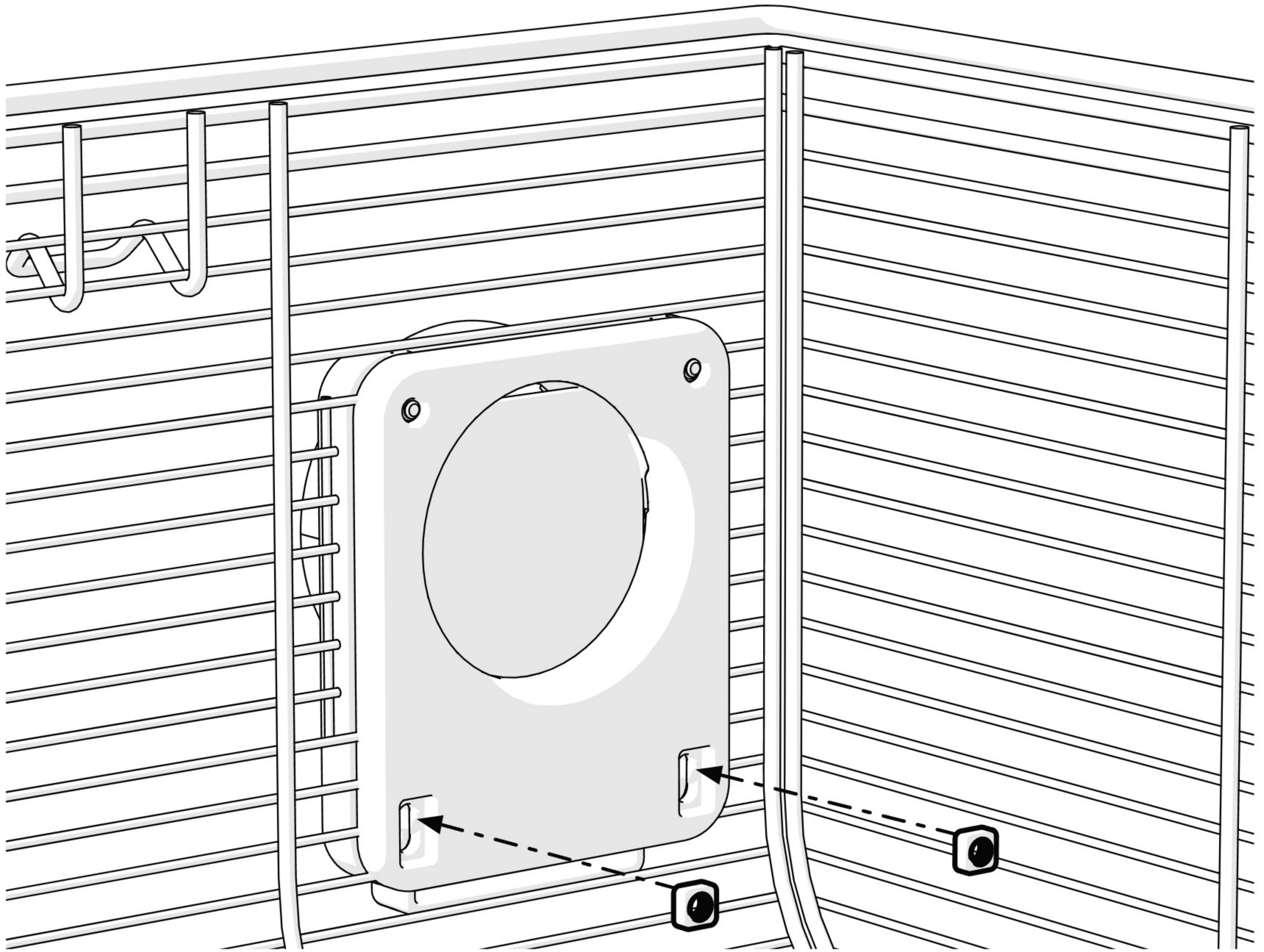
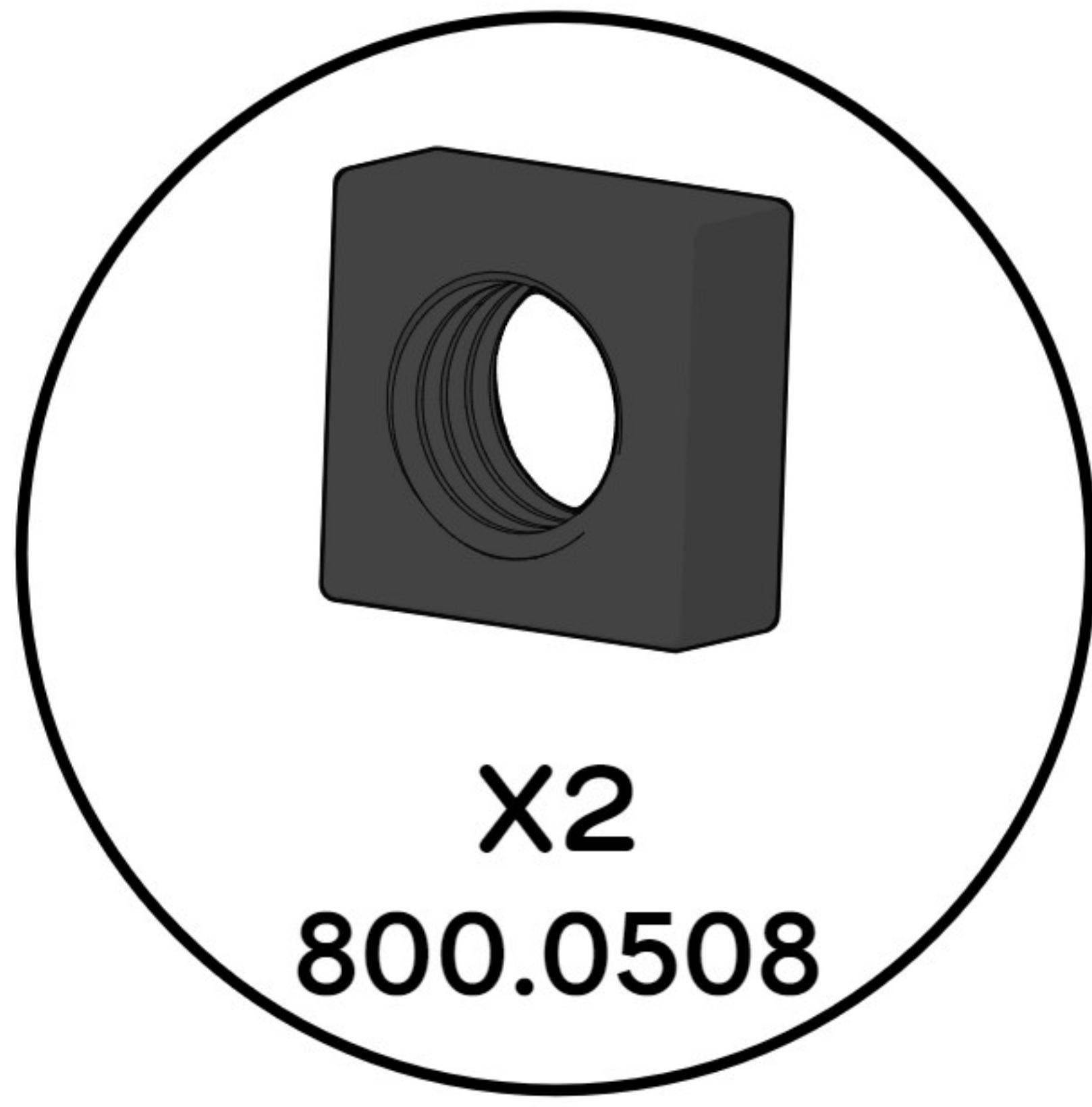
015.1341

8

UK Don't over tighten

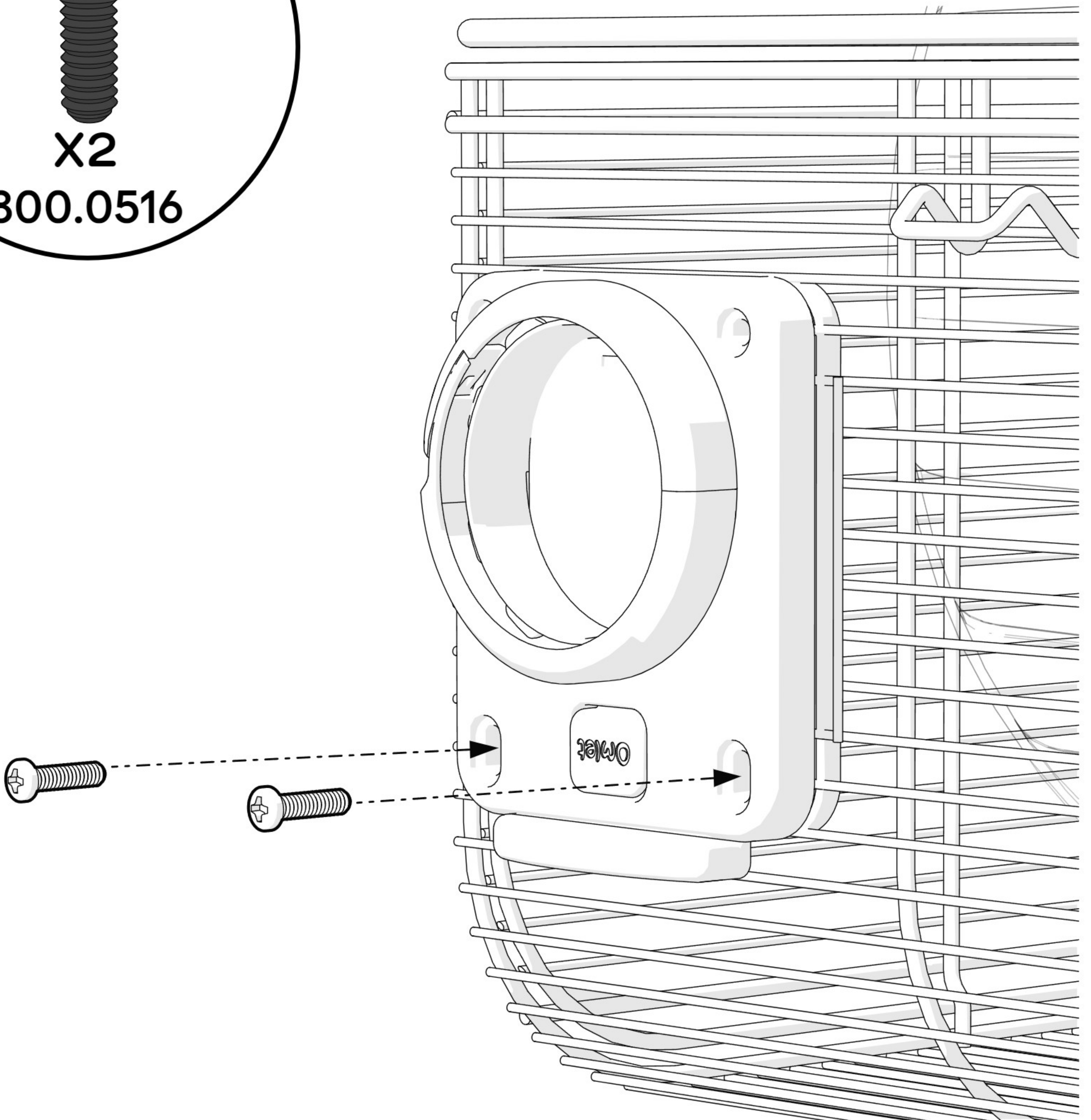
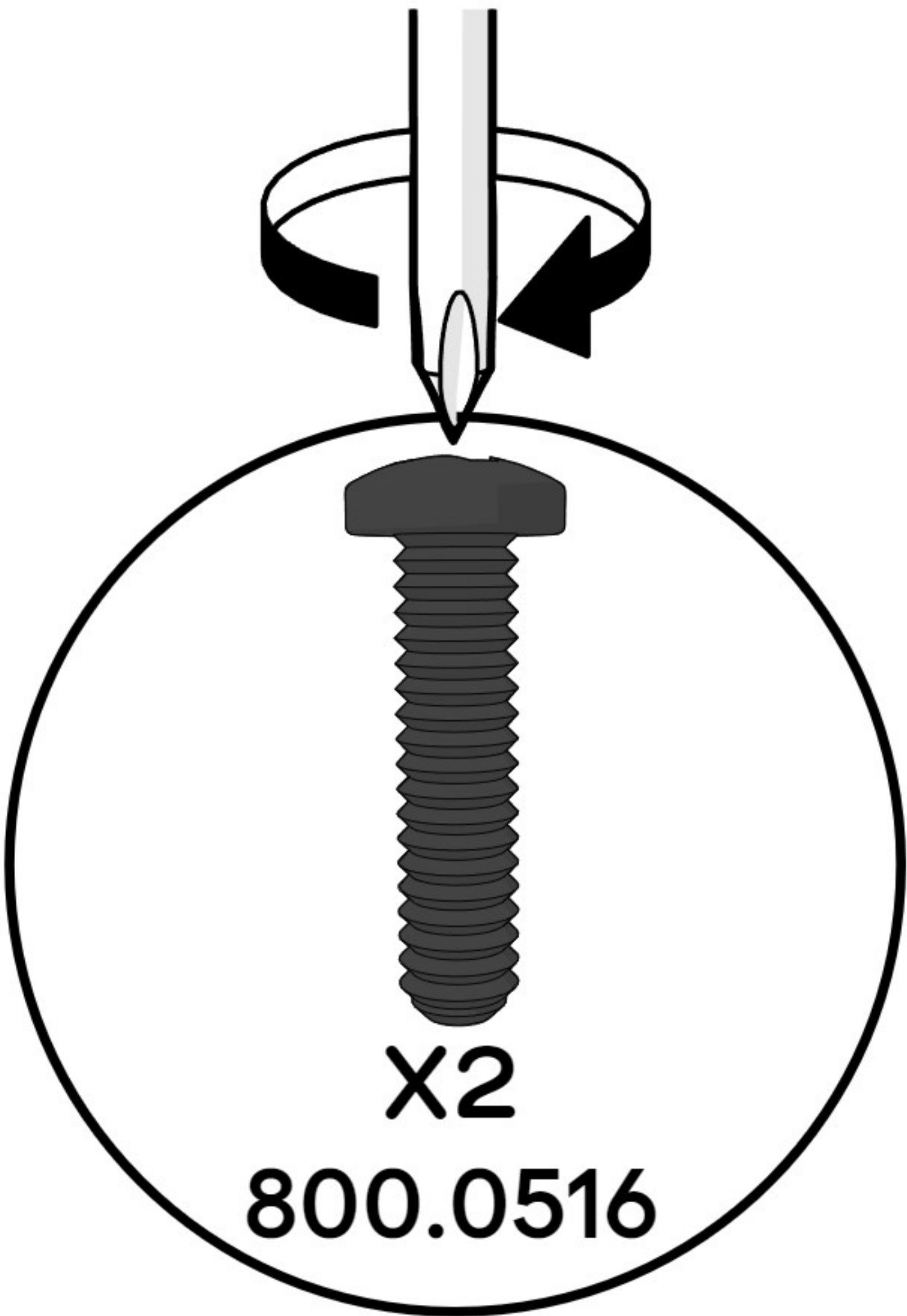


9



10

UK Don't over tighten

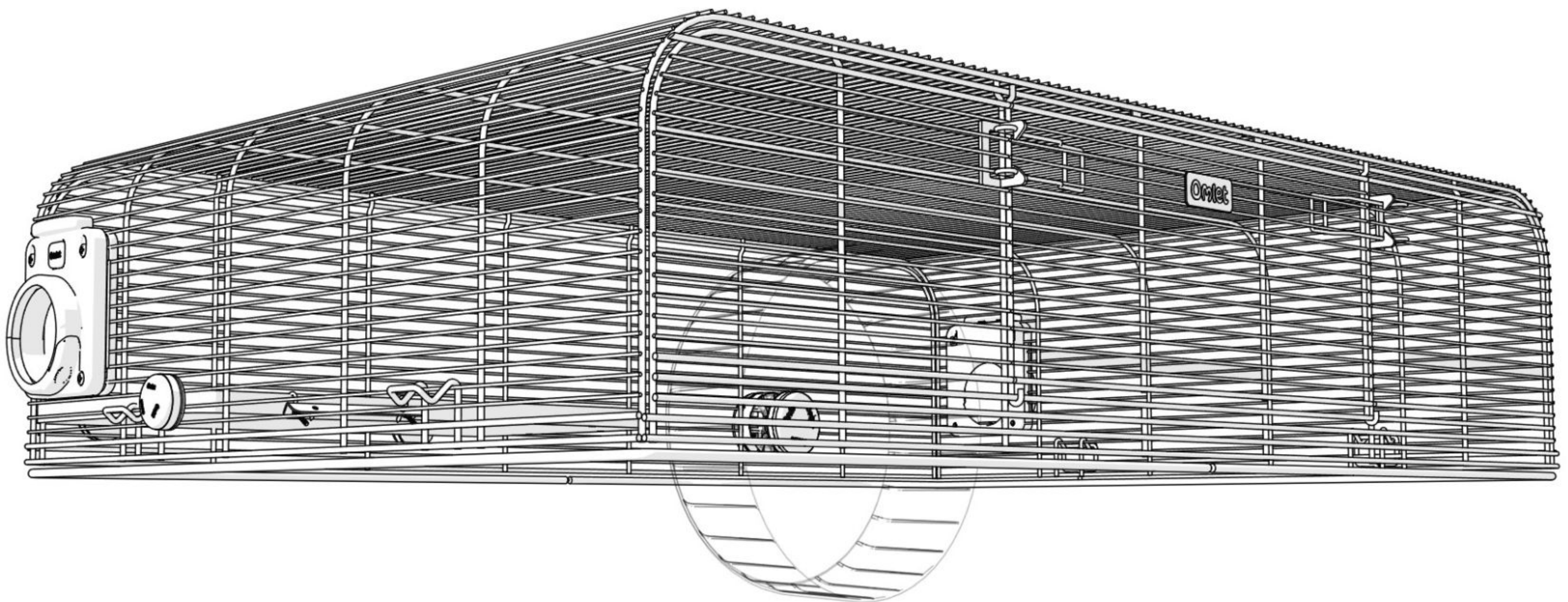
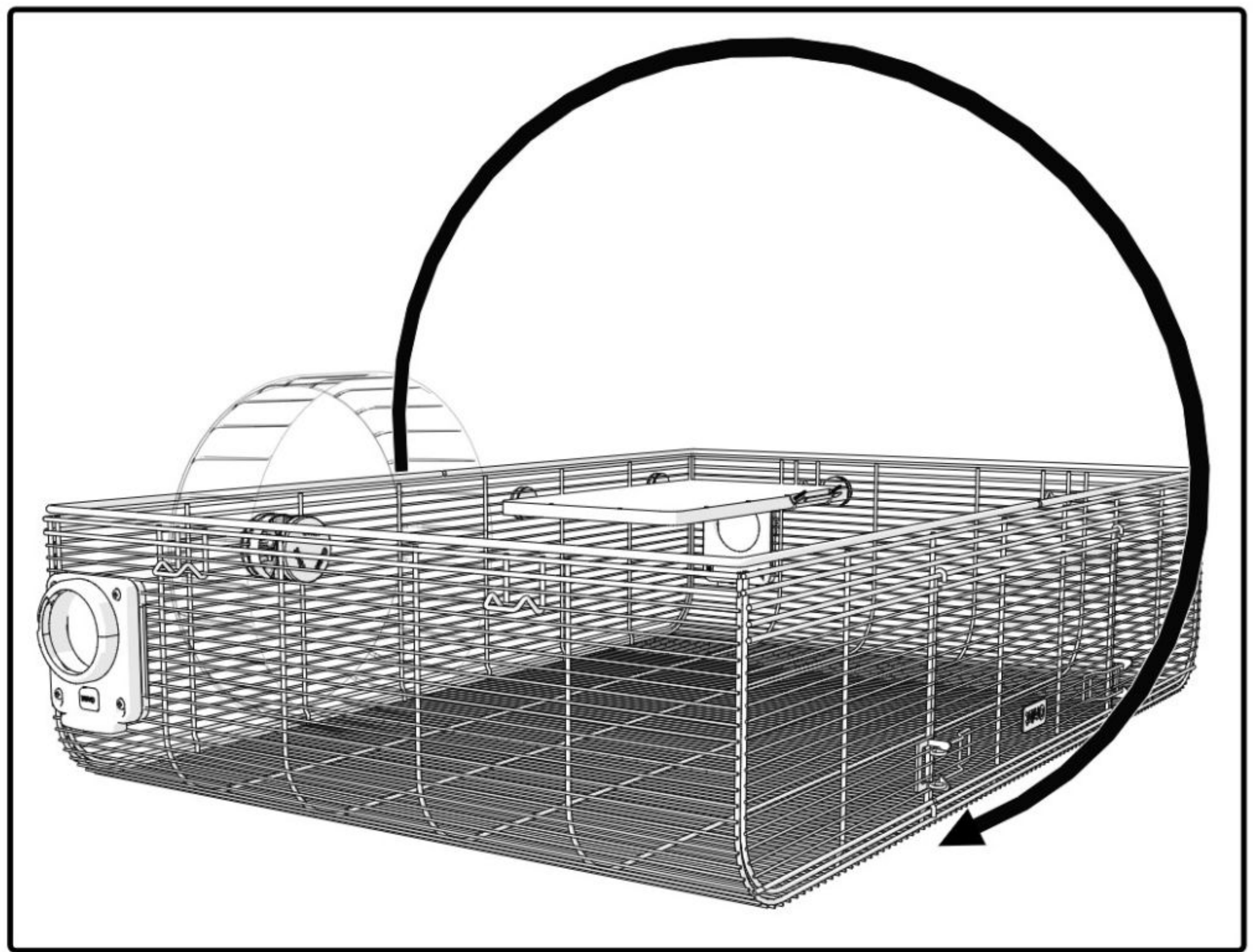


11

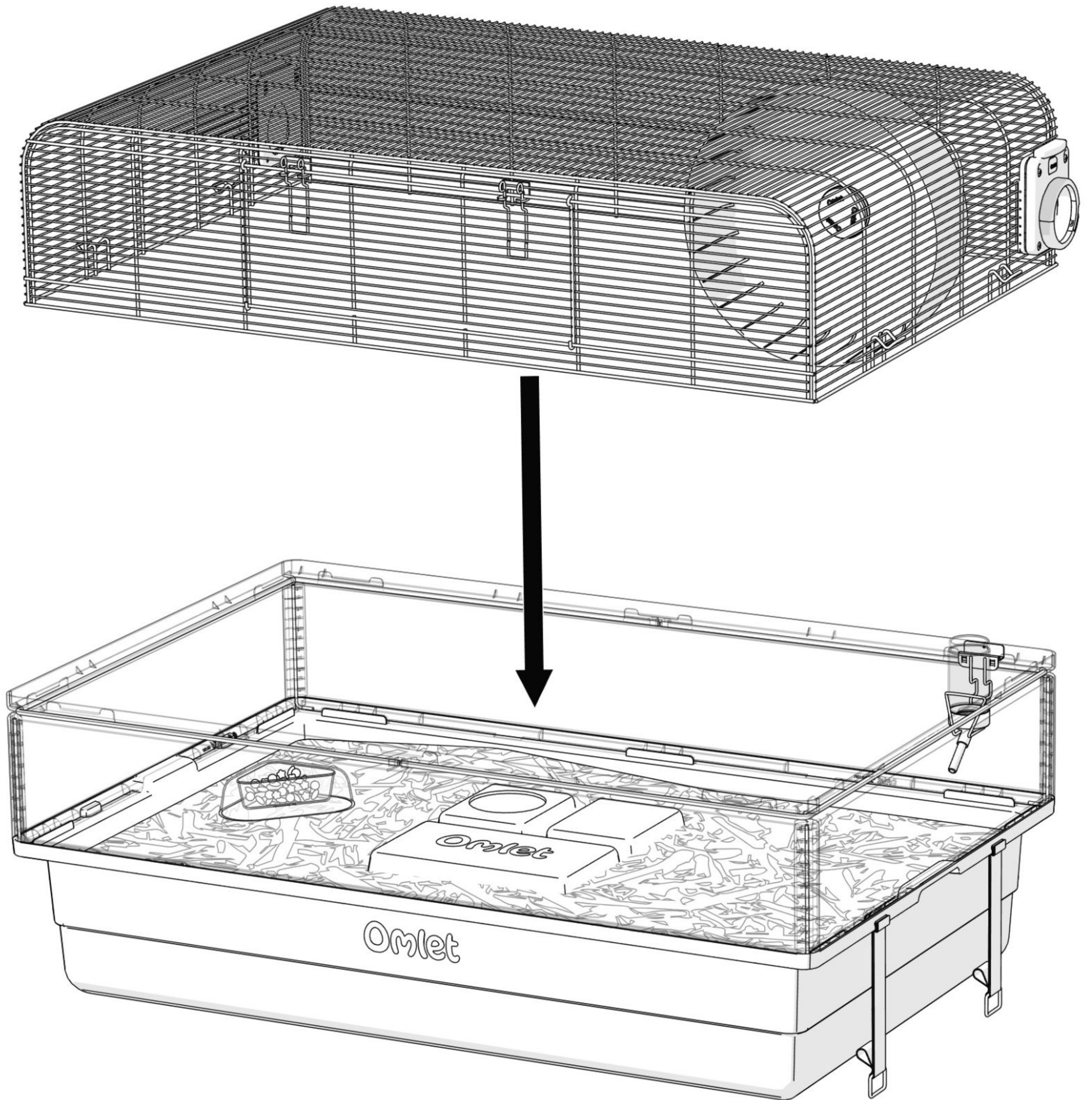
Please repeat steps 4-10 on your other hamster Door.



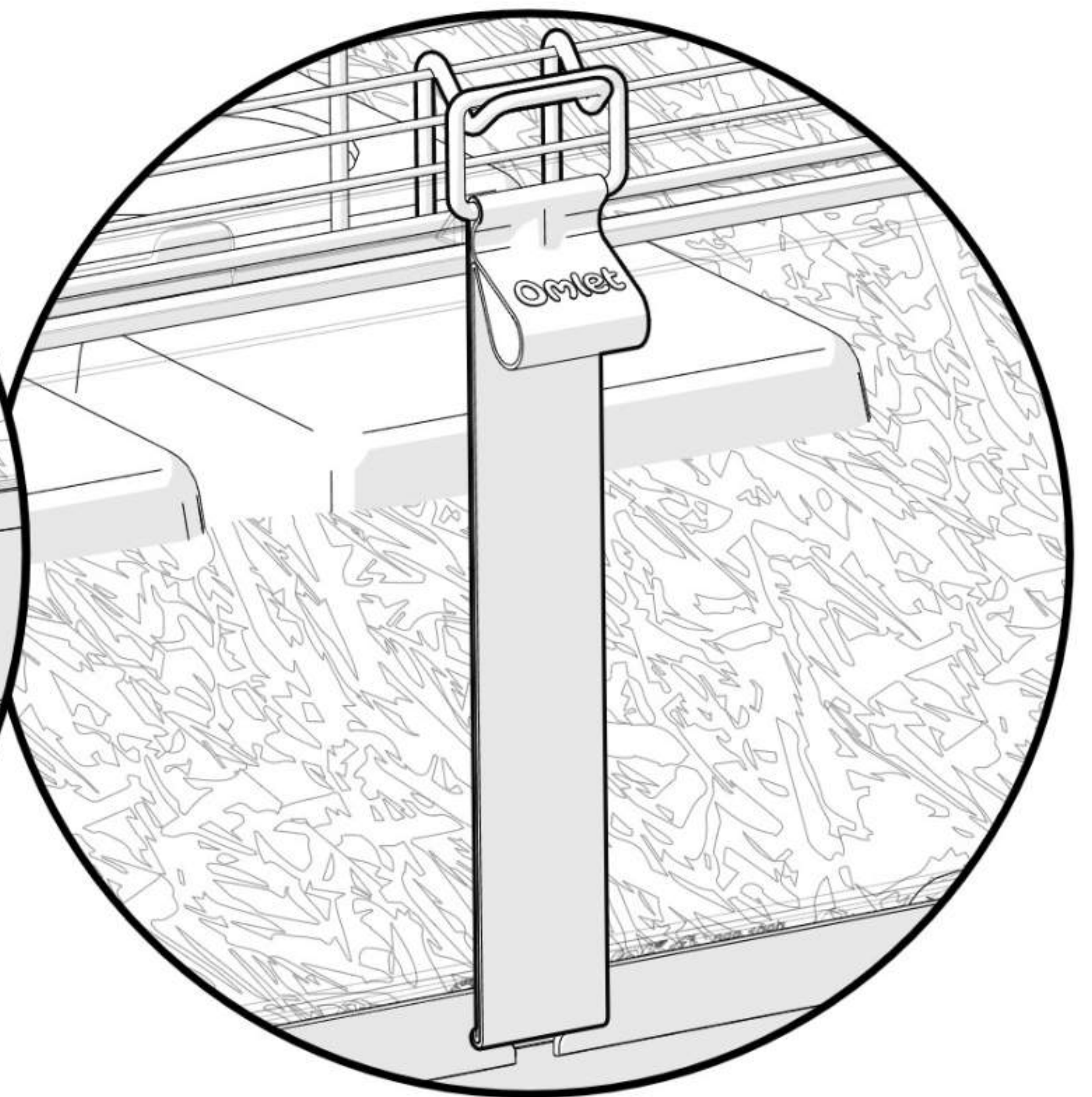
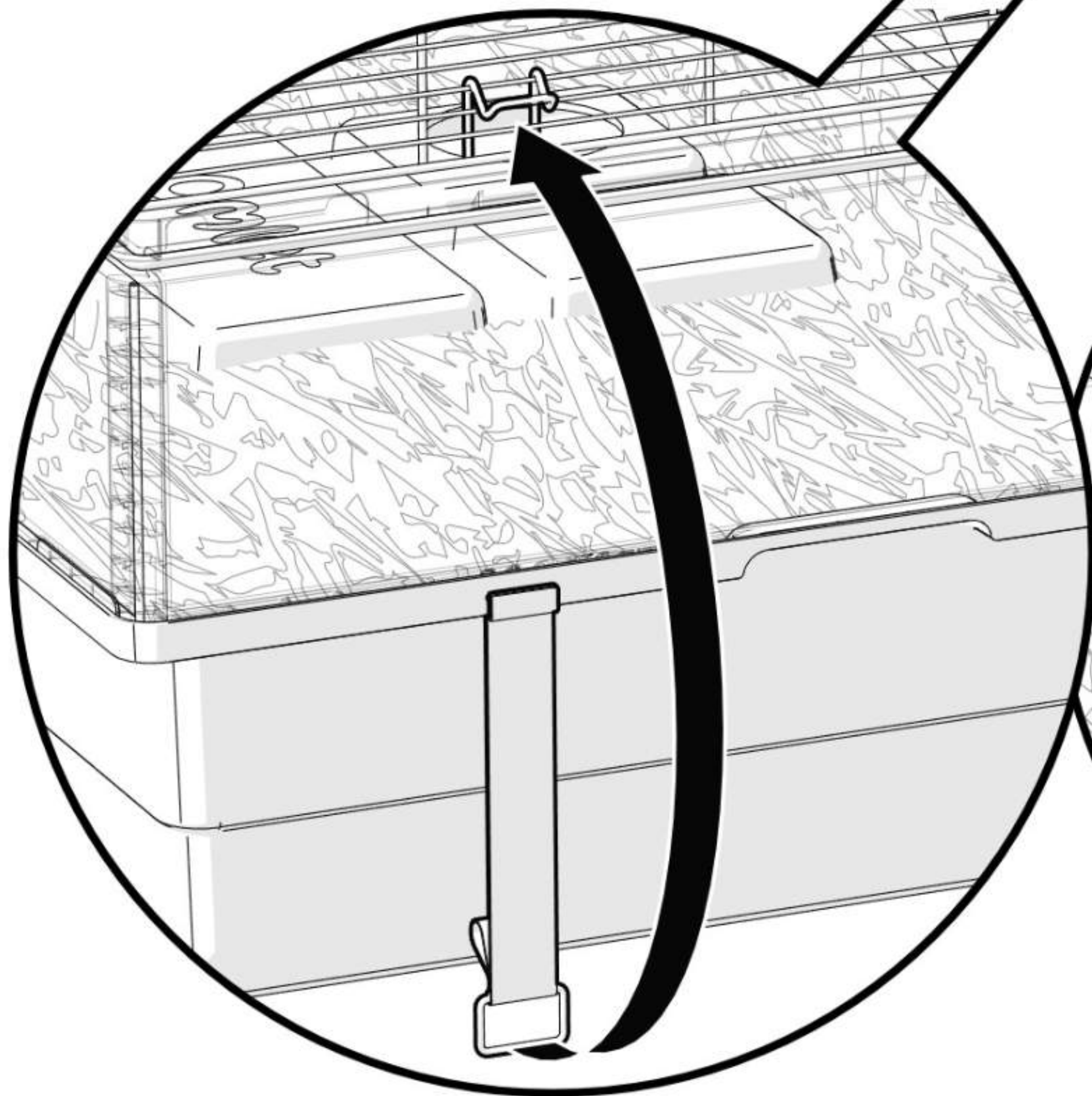
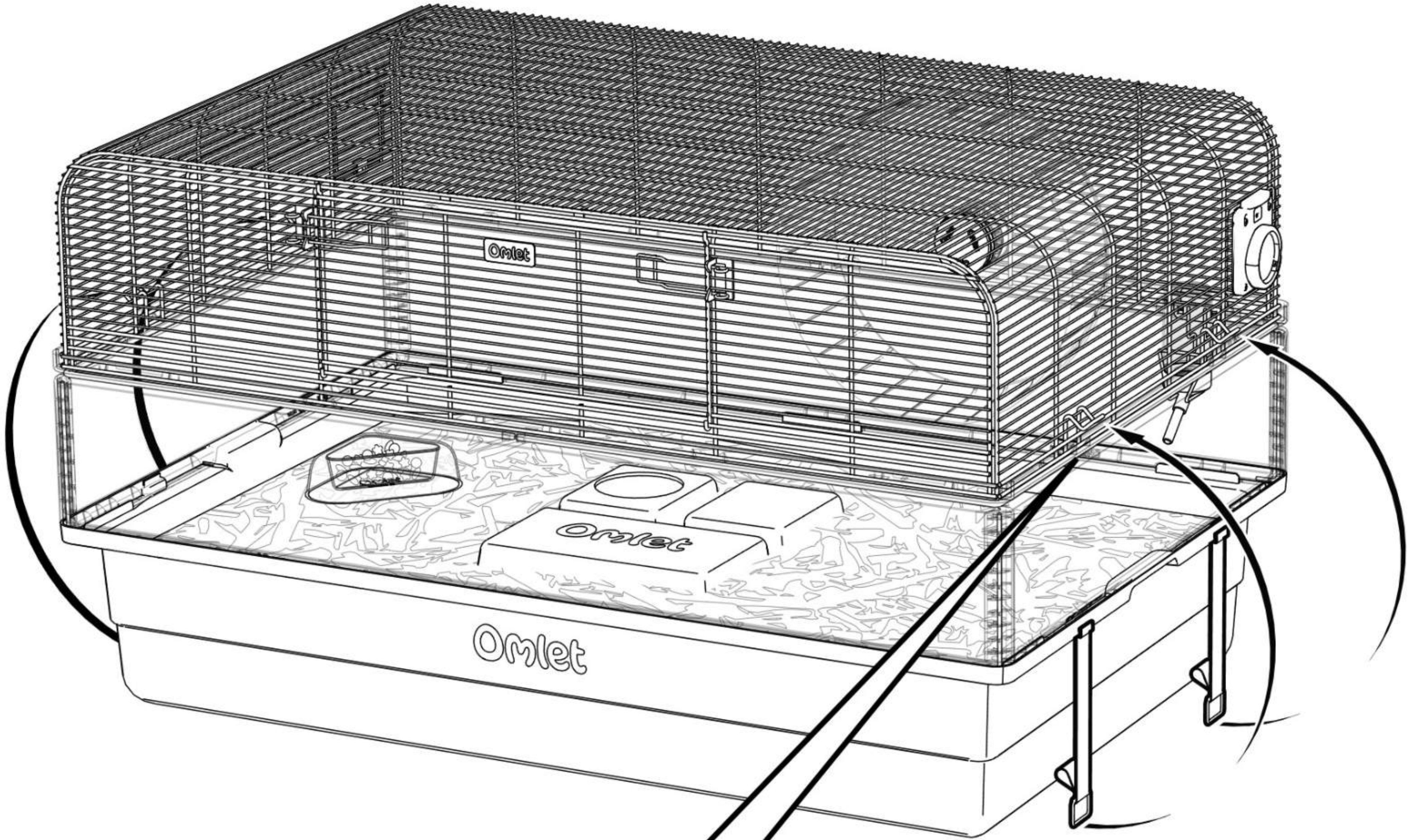
12



13

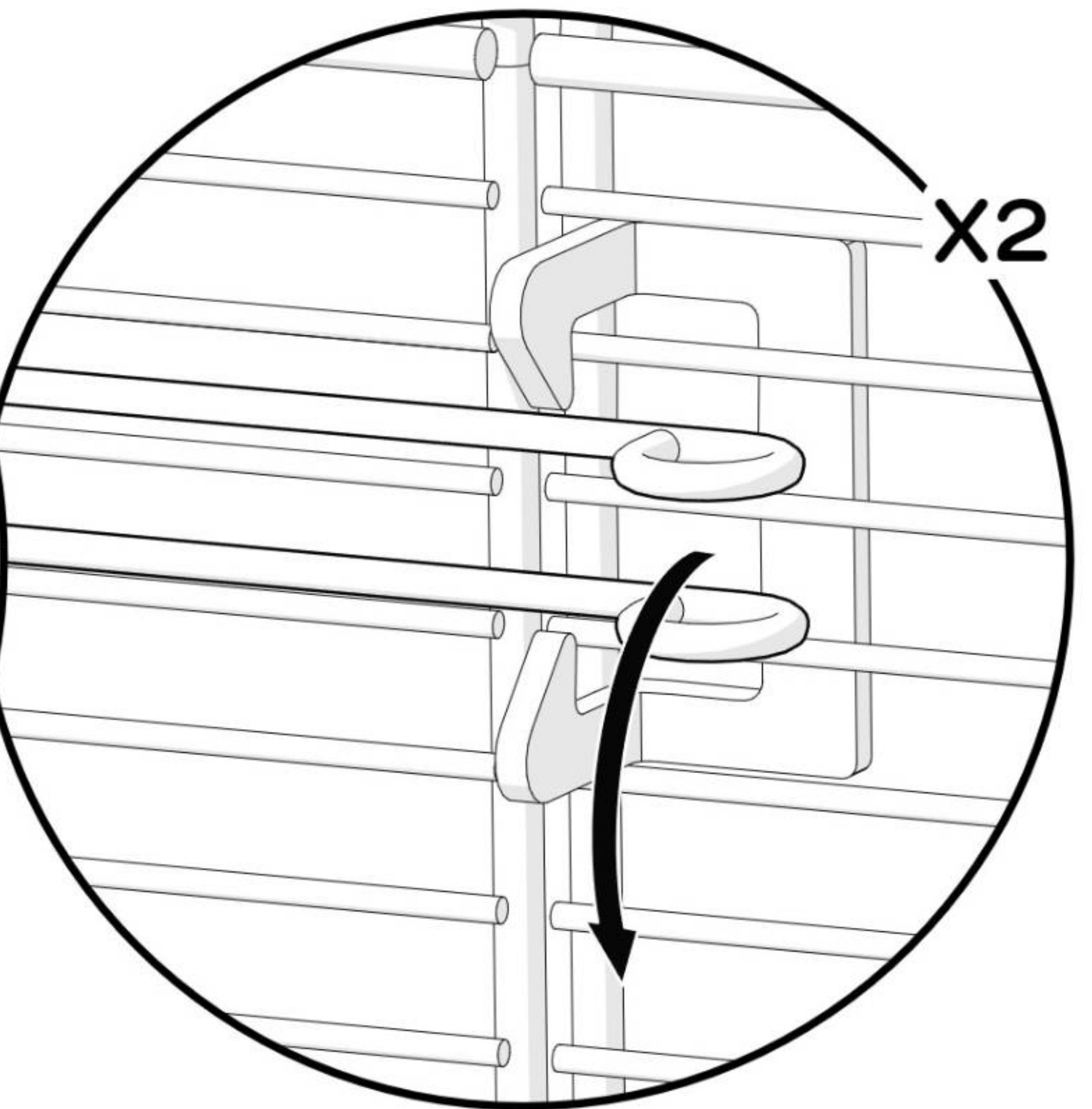
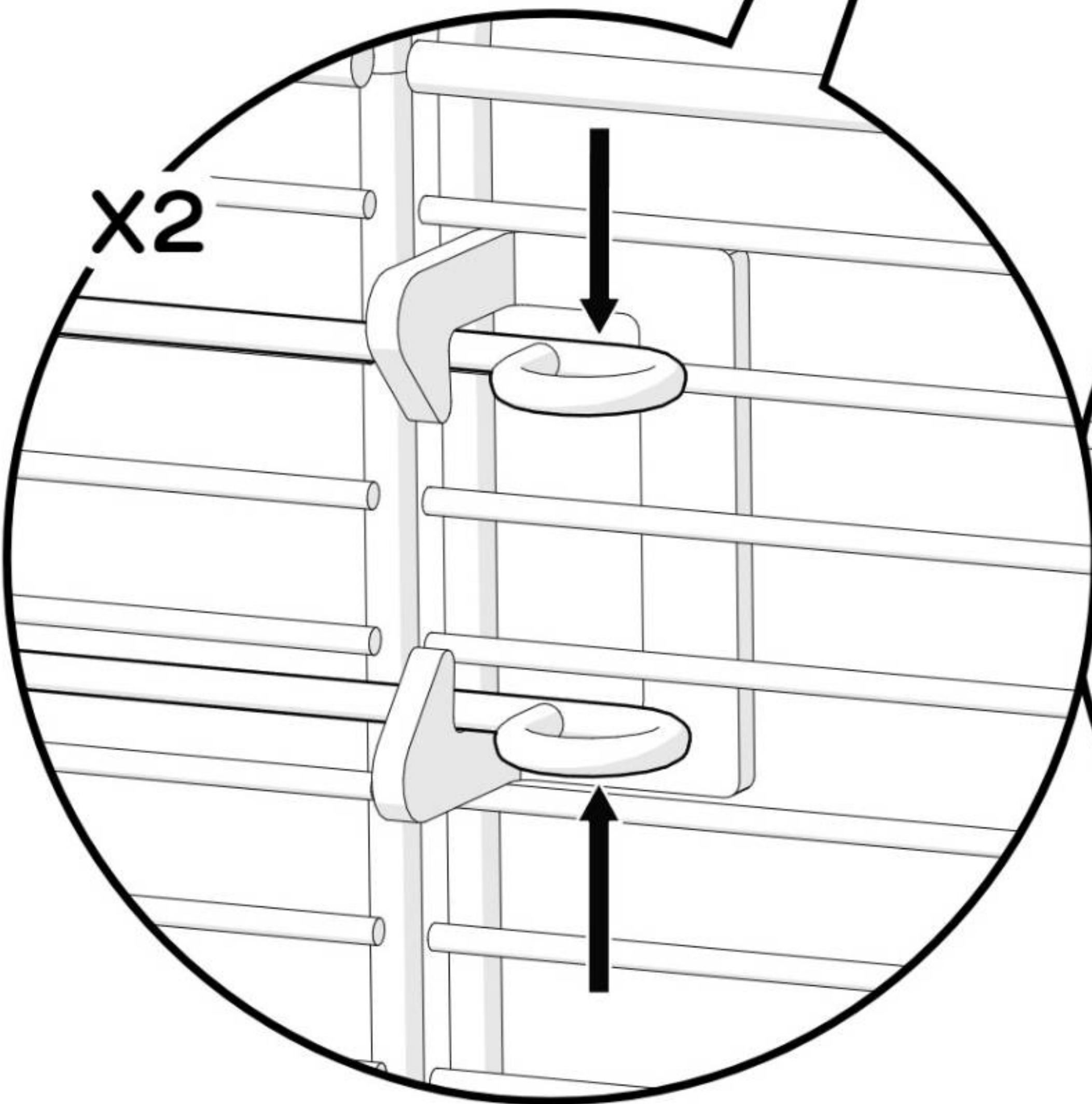
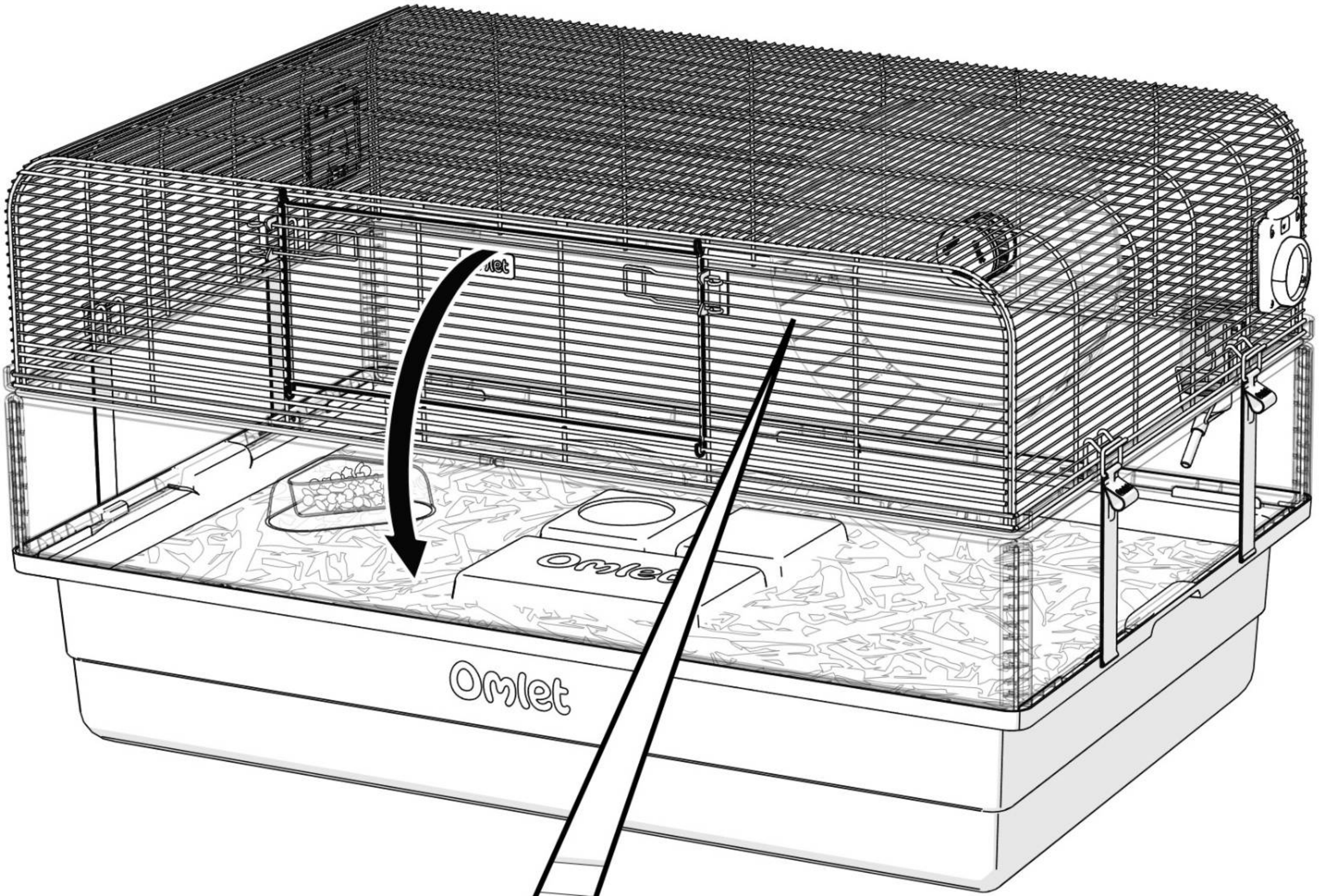


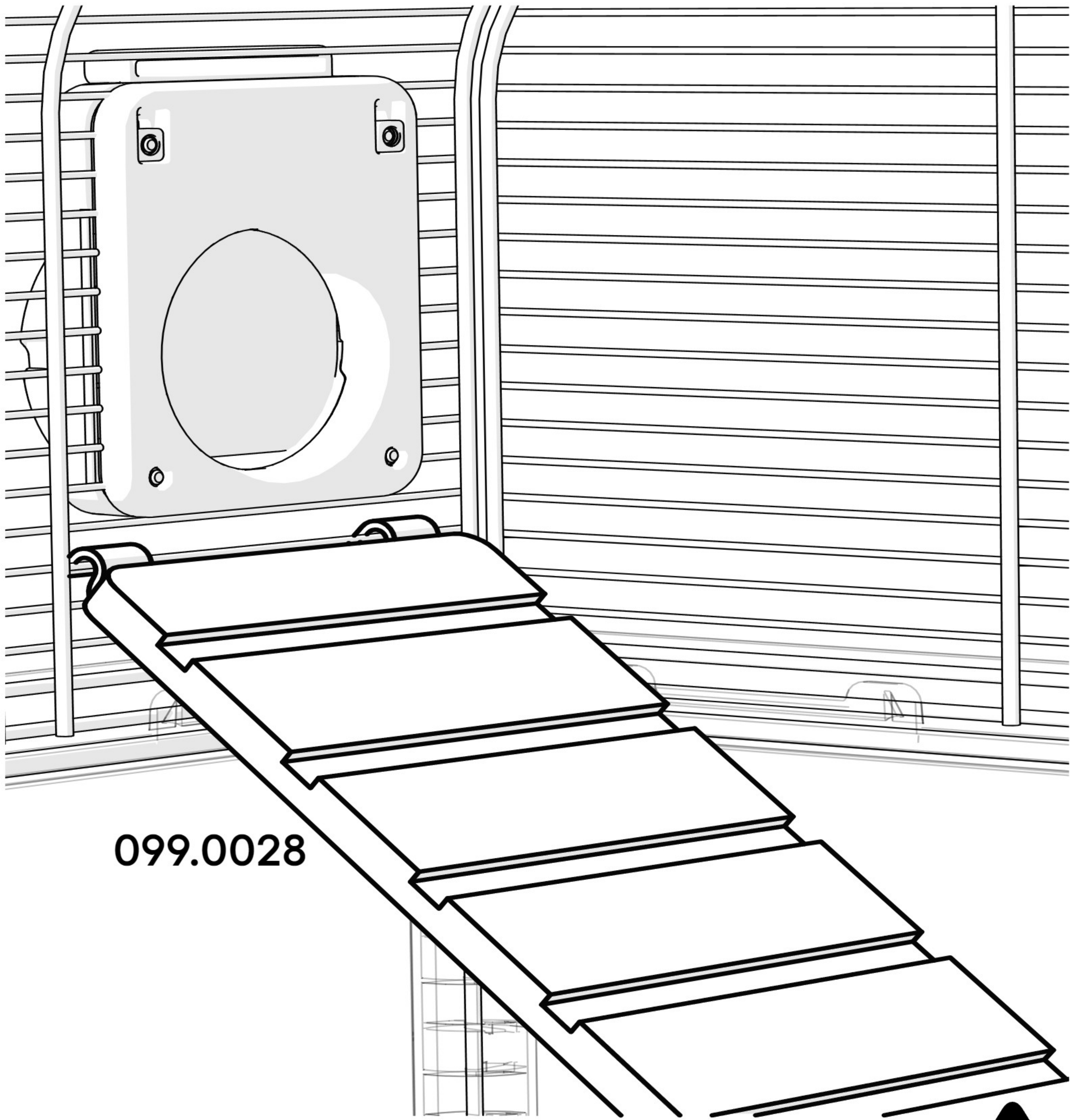
14



14

15





099.0028

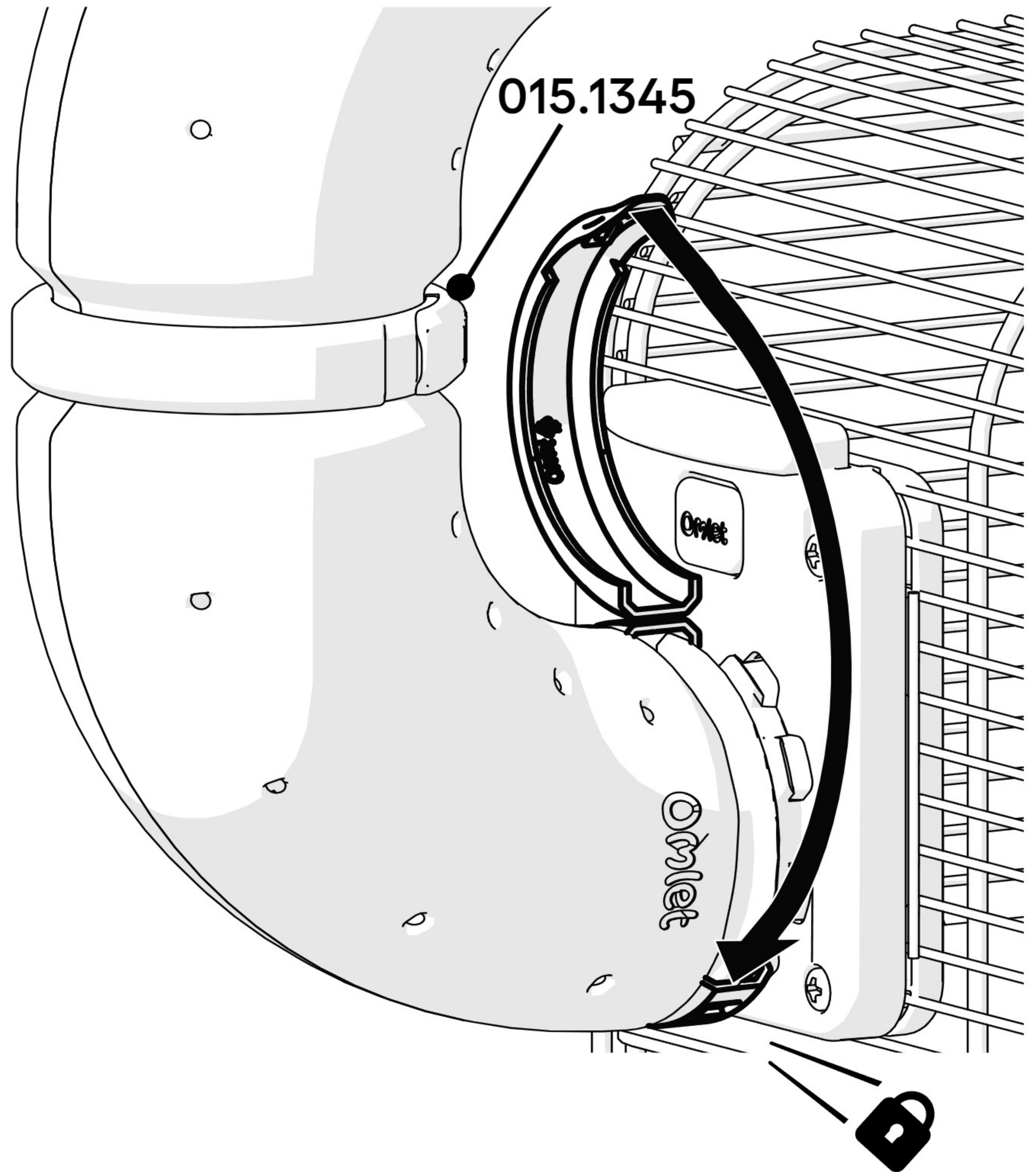
Repeat on second Ramp (099.0028).



The following page shows an example only. For attaching your other Tunnels please refer to your Starter or Advanced Tunnel Kit manual.



16



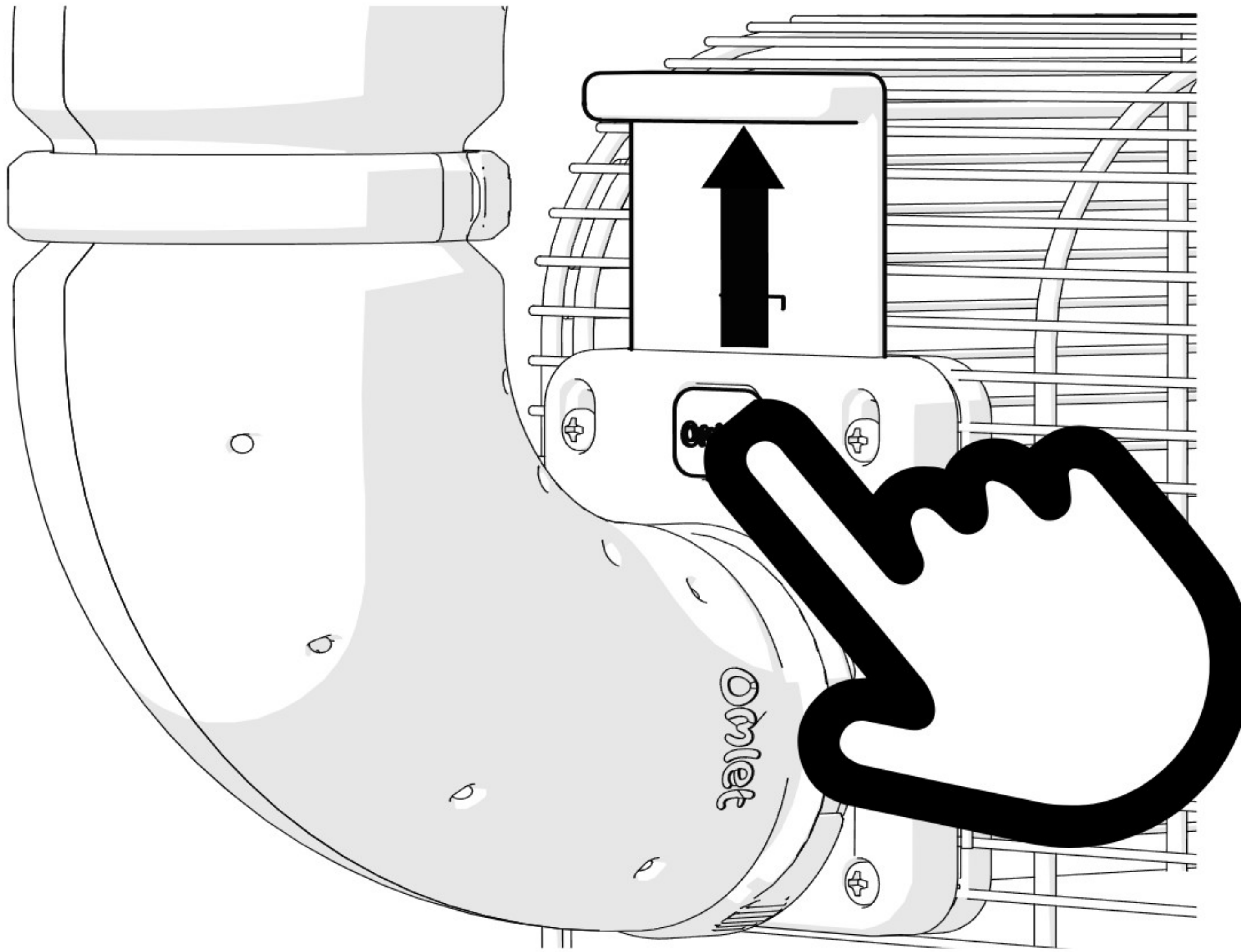
EN Repeat on other side



17

17

Only open Doors if all Tunnels are connected so your pet doesn't escape.



Use a pet safe disinfectant and soft cloth to clean.



• DOs and DON'Ts •

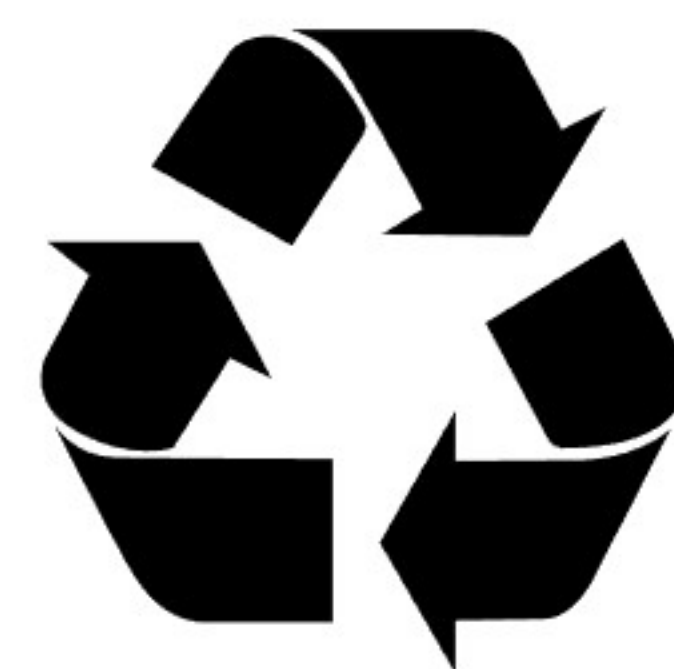
DOs

- Offer your animals access to fresh food and water at all times.
- Take the Tunnels apart and clean them regularly on the inside.
- Change the Tunnel setup from time to time to allow for new explorations.
- Remove the Tunnels if you notice that your animal is nibbling on them.
- Supervise your children when playing with your animal and the product.

DON'Ts

- Do not leave your animal unattended for a long period of time.
- Do not place your product in drafty, damp or wet rooms or in direct sunlight.
- Never lock your animal in a Tunnel.

Omlet



Please
reuse &
recycle.

© Copyright Omlet
Ltd. 2024
Design Registered,
Patent Pending
Omlet is a Registered
Trademark of Hebe
Studio Ltd.
820.2712_Instruction
Manual Hamster
Habitat Connection
Kit 22/04/2024



5 055358 857962 >