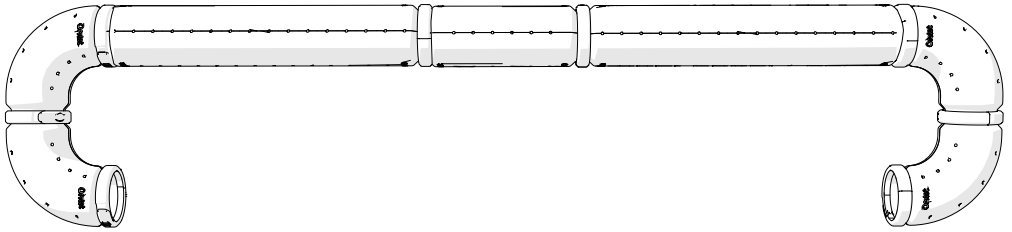


HAMSTER HABITAT STARTER TUNNEL KIT

Assembly Guide



Omlet

What you have received

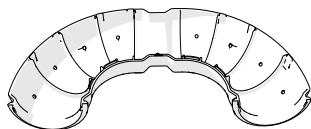
015.0349 Boxed Starter Hamster and Gerbil Tunnel Kit



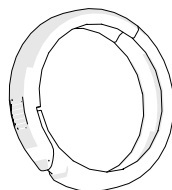
X4
Tunnel 355 Half
015.1348



X2
Tunnel 177 Half
015.1349



X4
Tunnel 180° Half
015.1350



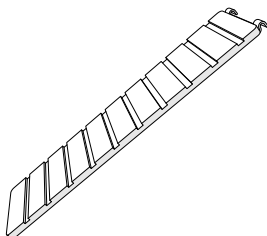
X8
Tunnel Connector
015.1345

You may also need:

015.0350 Boxed Hamster Habitat Connection Kit



X2



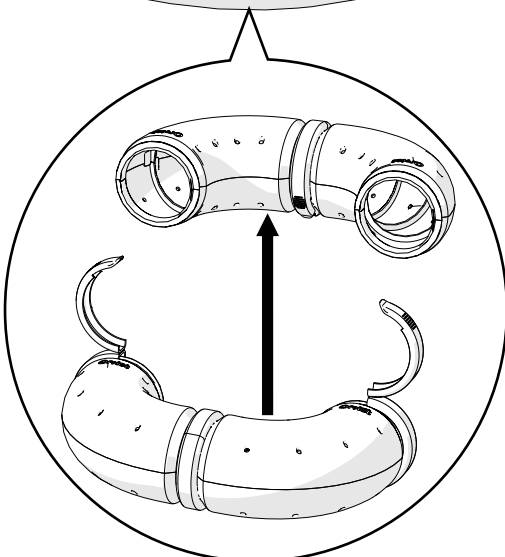
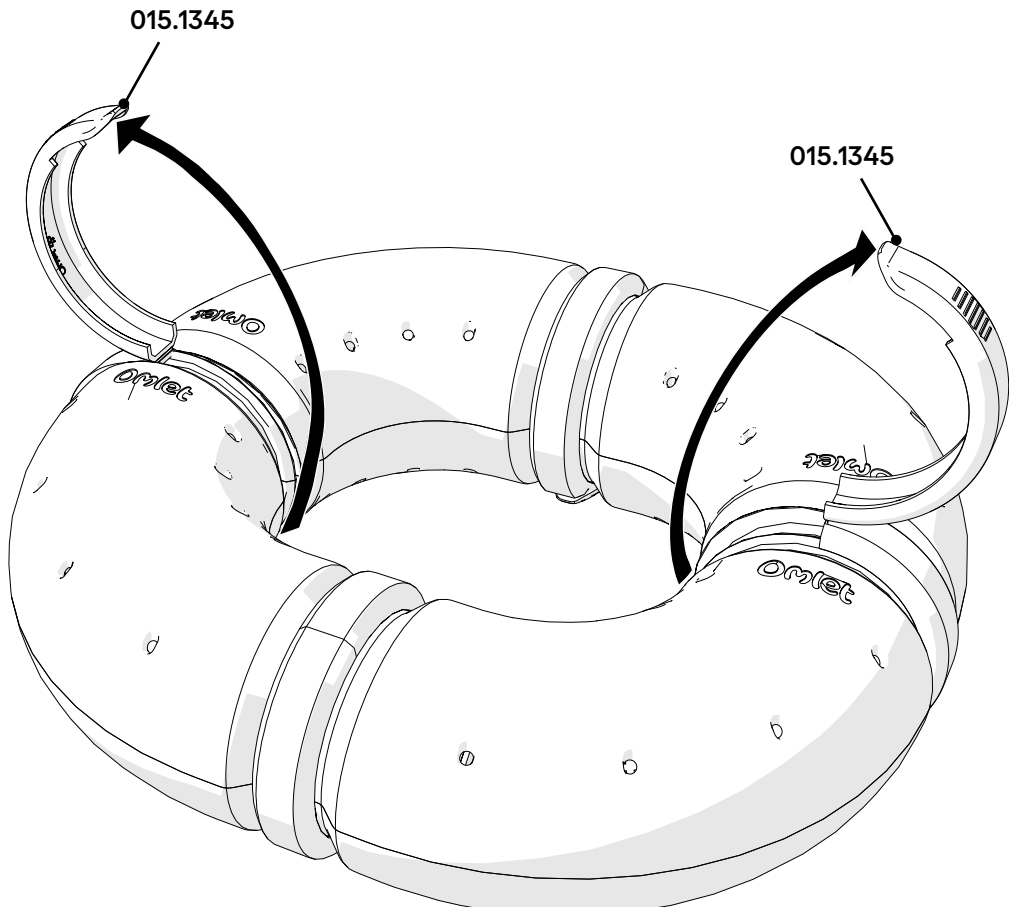
X2

General Information: Preparing your Tunnels.

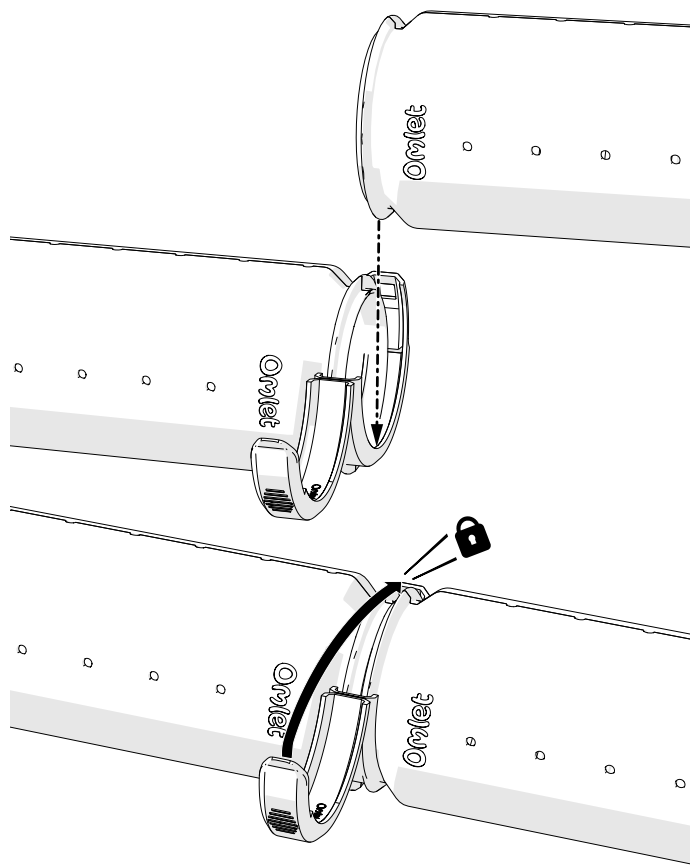


Don't twist the **Tunnel Connectors (015.1345)** as they may snap.

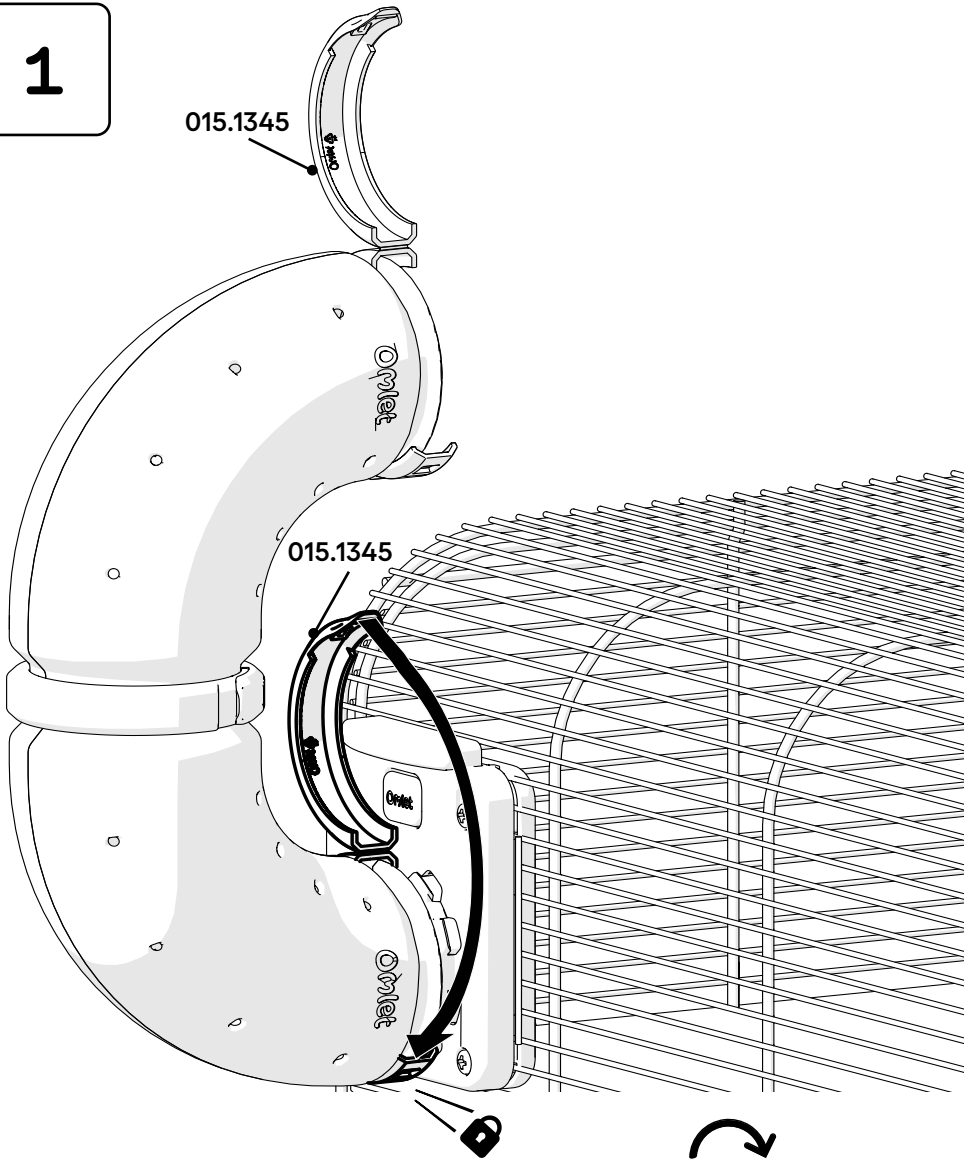




Please slot your Tunnels together from above not from the side.
Squeeze Connectors tightly until you hear a loud click.



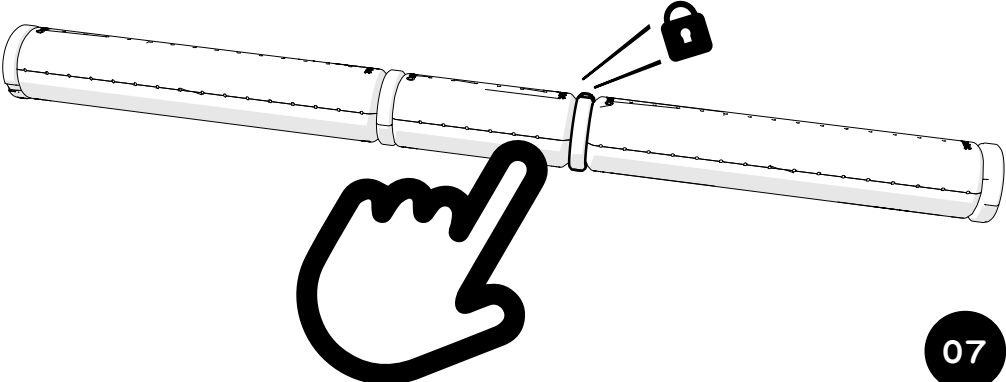
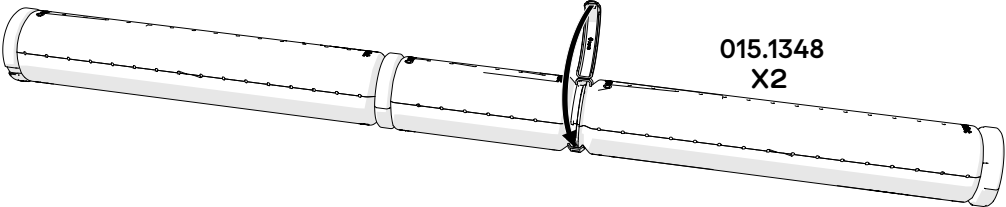
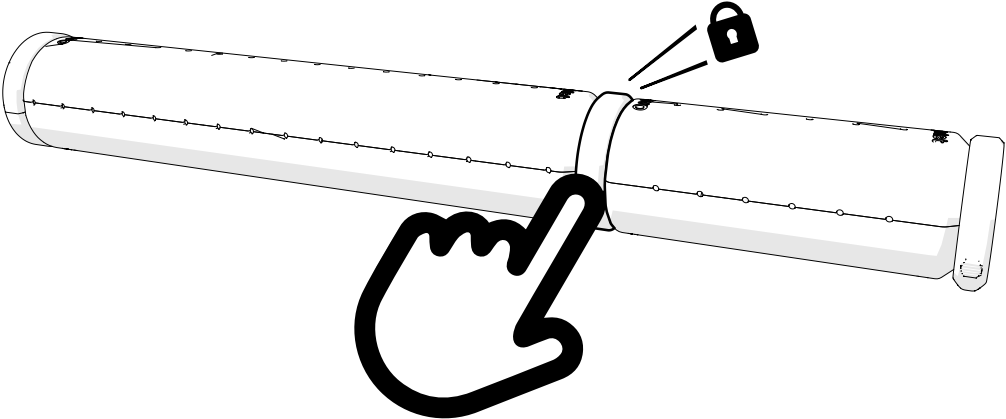
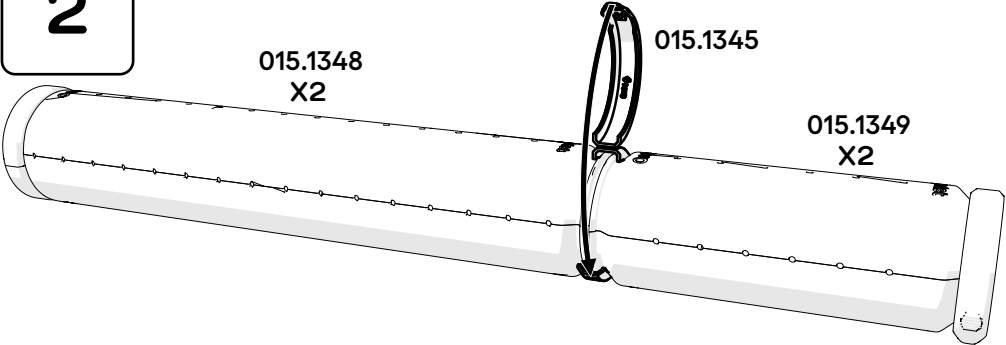
1



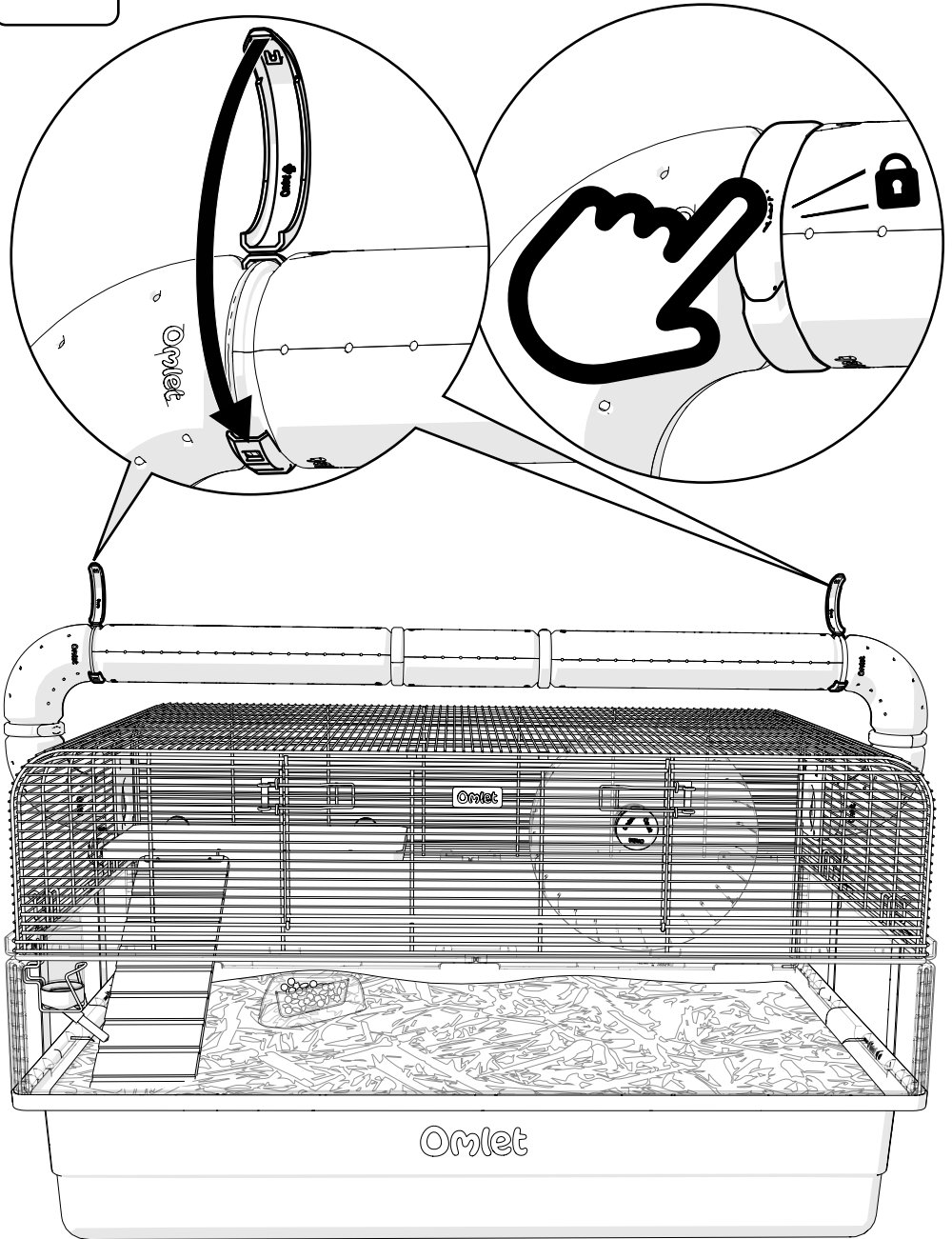
EN Repeat on other side



2

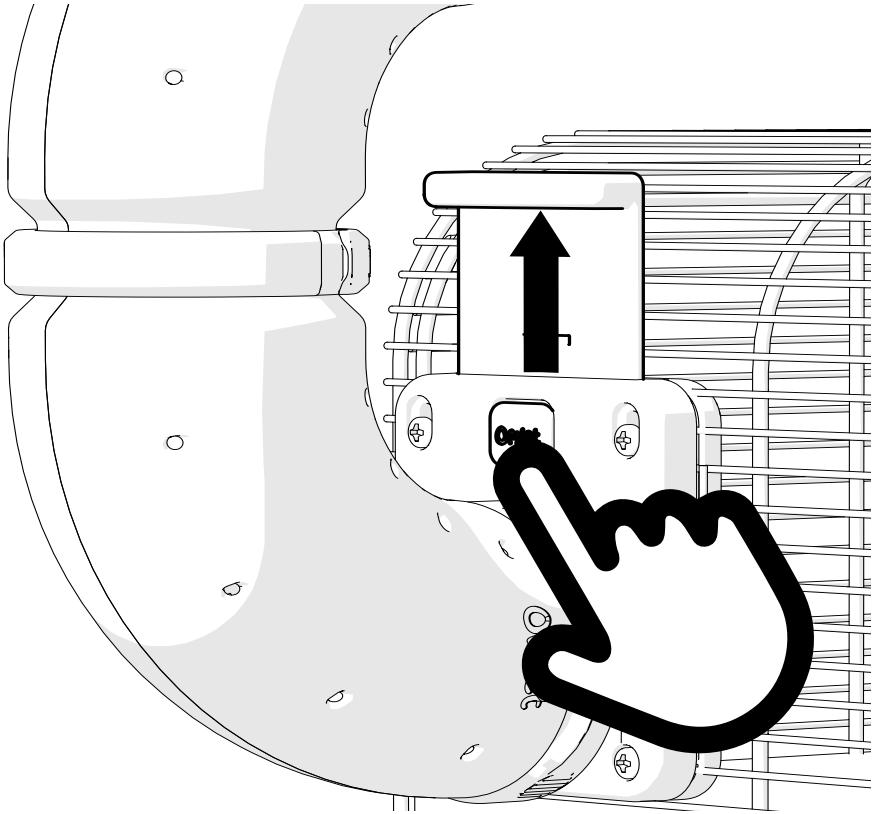


3

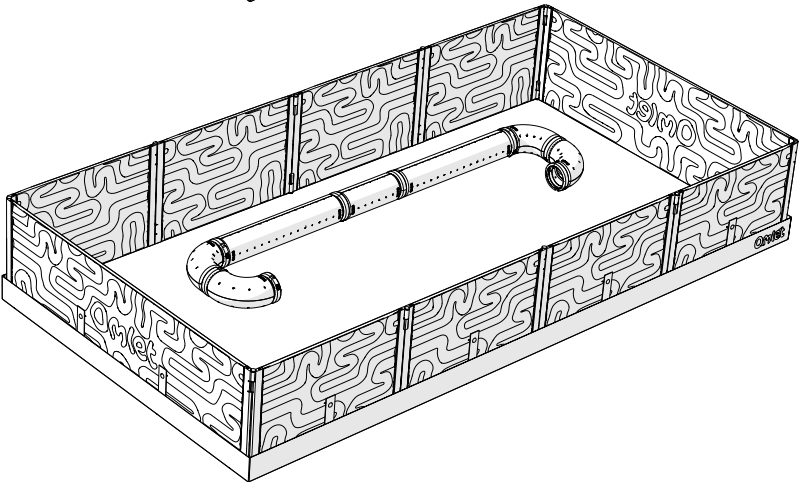
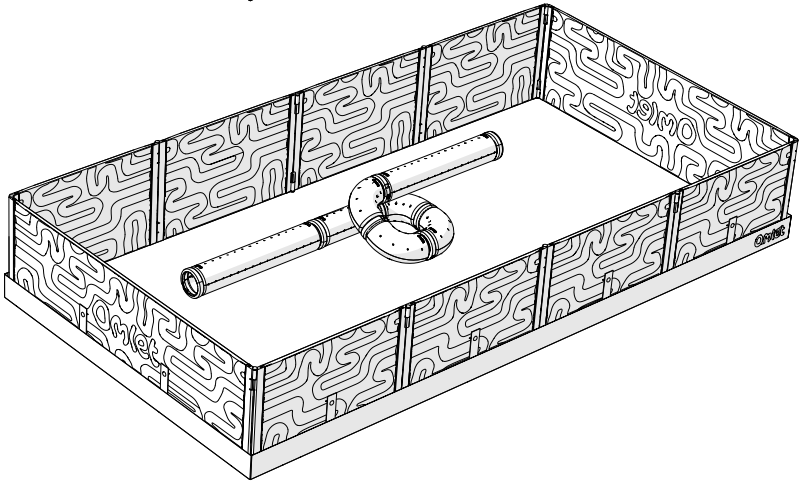
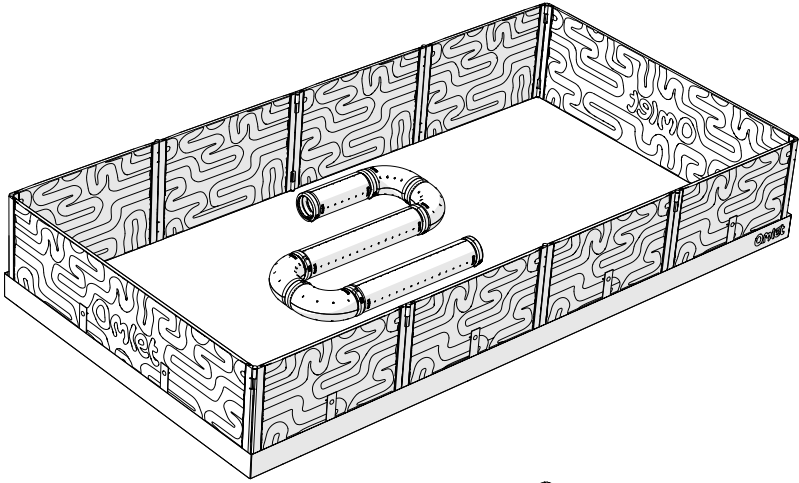


4

Only open door if all Tunnels are connected so your pet doesn't escape.



Here's some Tunnel setup examples in the Omlet Playpen.



Use a pet safe disinfectant and soft cloth to clean.



· DOs and DON'Ts ·

DOs

- Give your pets access to fresh feed and water at all times.
- Disassemble the Tunnels and clean the inside once a week.
- Update your Tunnel setup from time to time to allow new exploration.
- Remove the Tunnels if you notice that your pets chew them. Putting Tunnel Connectors on the ends of the tunnels in the Playpen can help!
- Supervise your children when playing with your pet and the product.

DON'Ts

- You need to supervise your pets at all times when they are using the Tunnels in the Playpen.
- You should not place your product in drafty, damp or wet conditions or in direct sunlight.
- Never lock your pet in the Tunnel.
- Don't place Tunnels too close to edge of Playpen.

Omlet



Please
reuse &
recycle.

© Copyright Omlet Ltd. 2024
Design Registered, Patent Pending
Omlet is a Registered Trademark of Hebe
Studio Ltd.
820.2714_Instruction Hamster Starter Tunnel
Kit 22/04/2024

