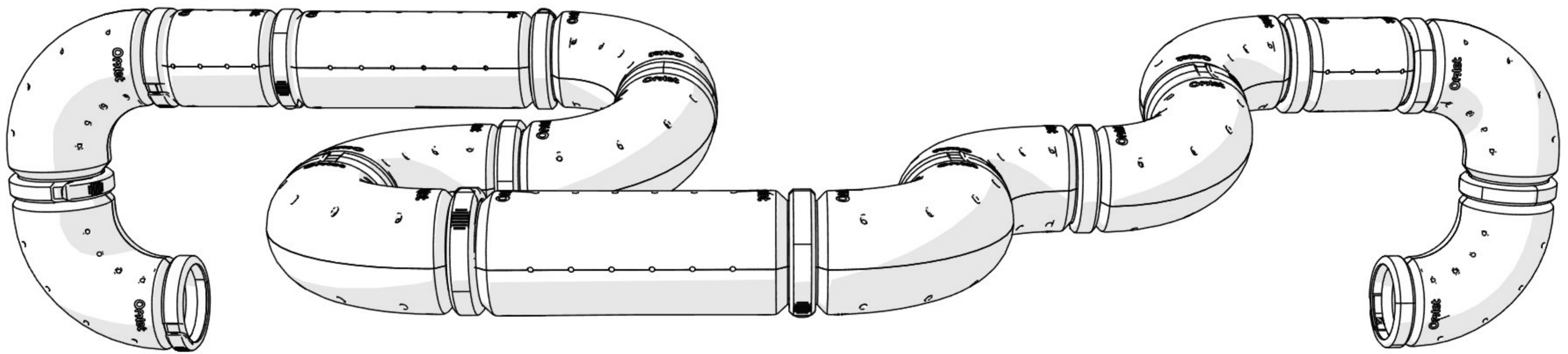


# HAMSTER HABITAT ADVANCED TUNNEL KIT

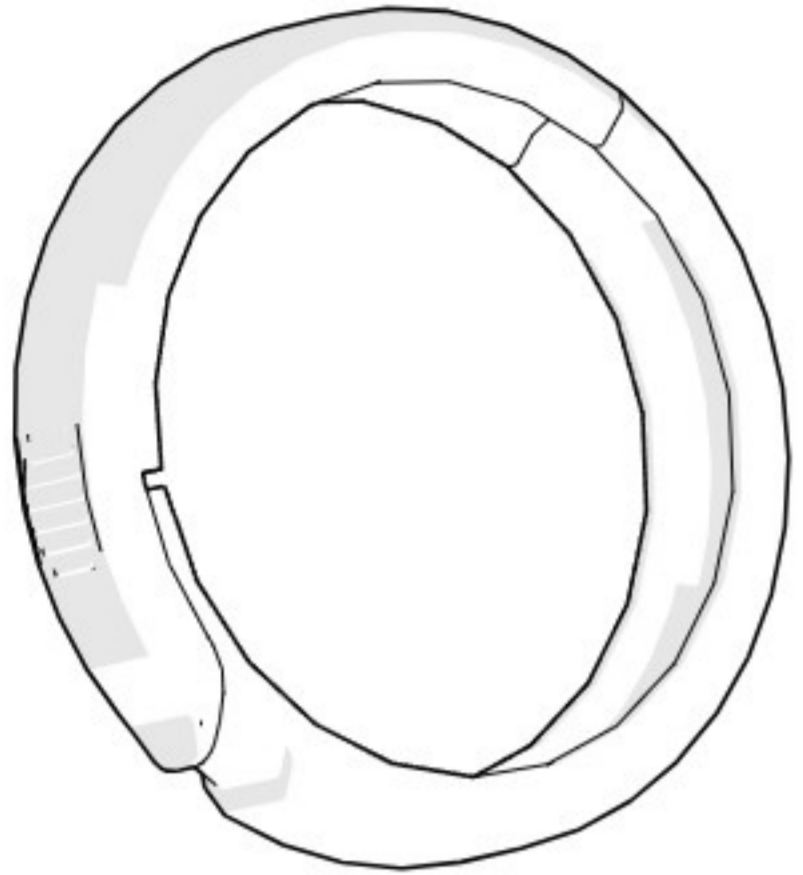
## Assembly Guide



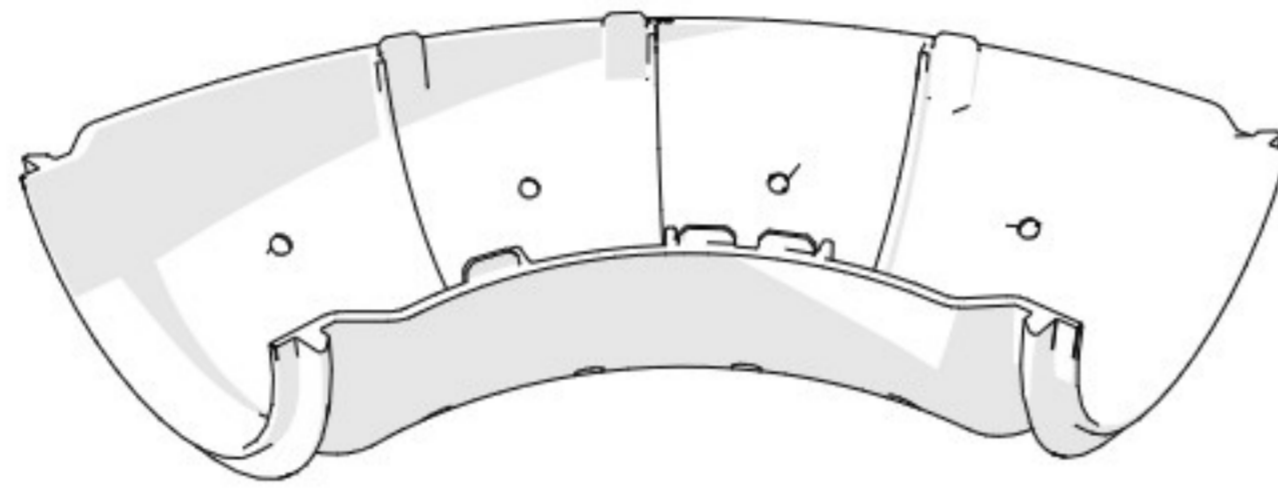
**Omlet**

## What you have received

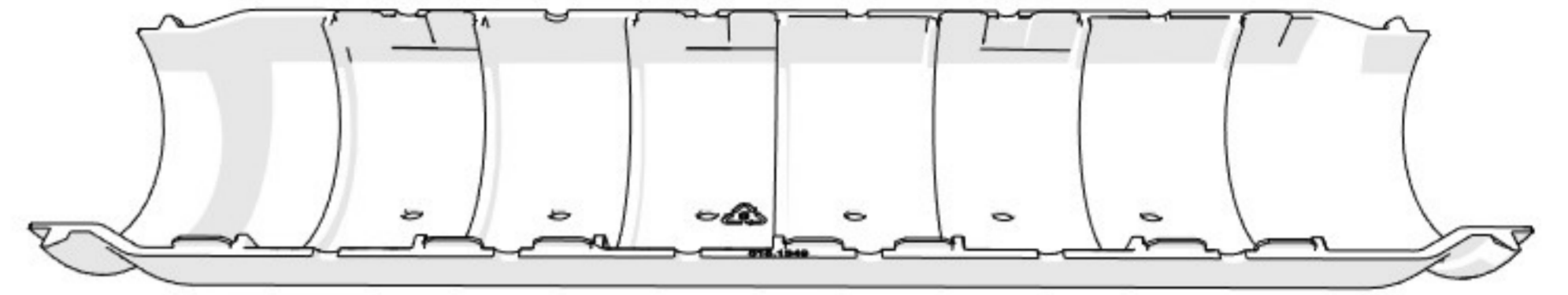
### 015.0348 Boxed Advanced Hamster and Gerbil Tunnel Kit



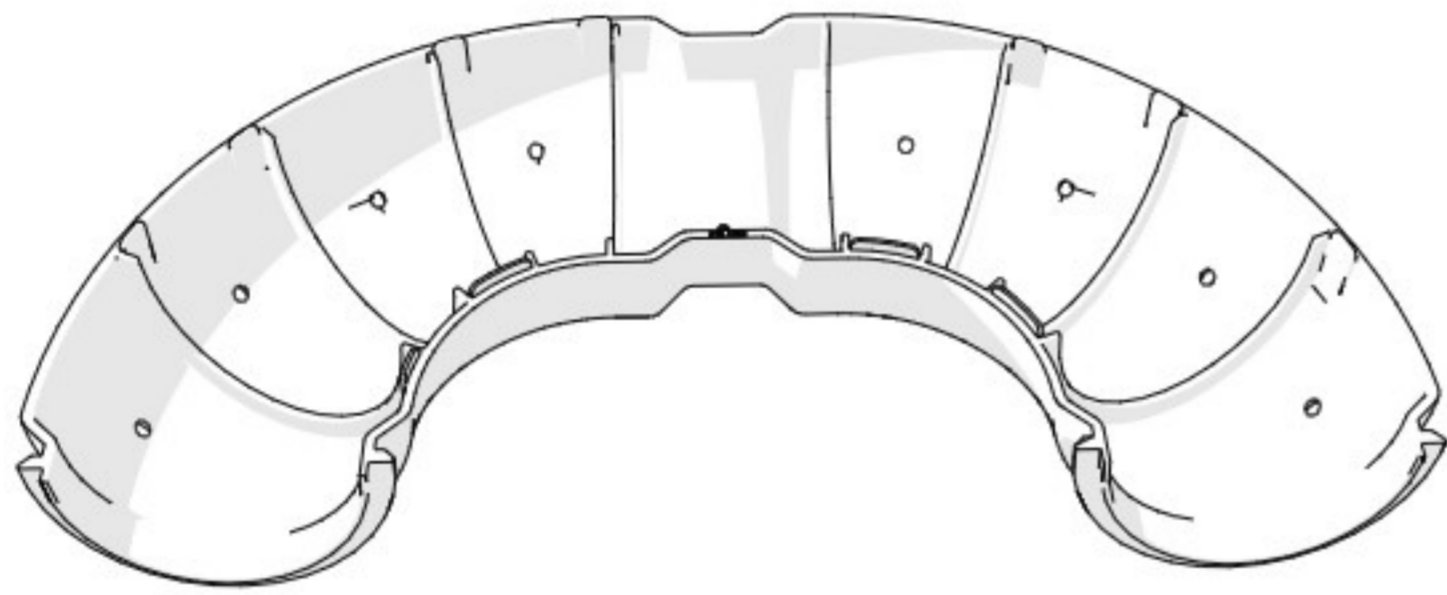
**X19**  
Tunnel Connector  
015.1345



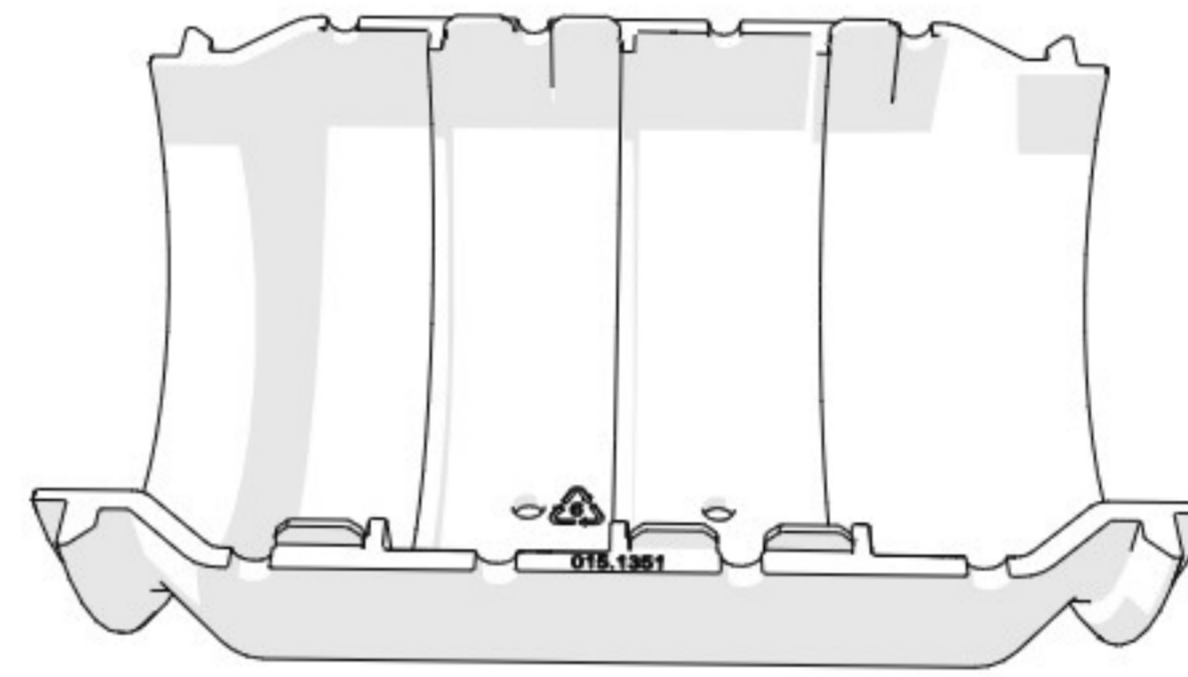
**X16**  
Tunnel 90° Half  
015.1346



**X4**  
Tunnel 177 Half  
015.1349



**X4**  
Tunnel 180° Half  
015.1350



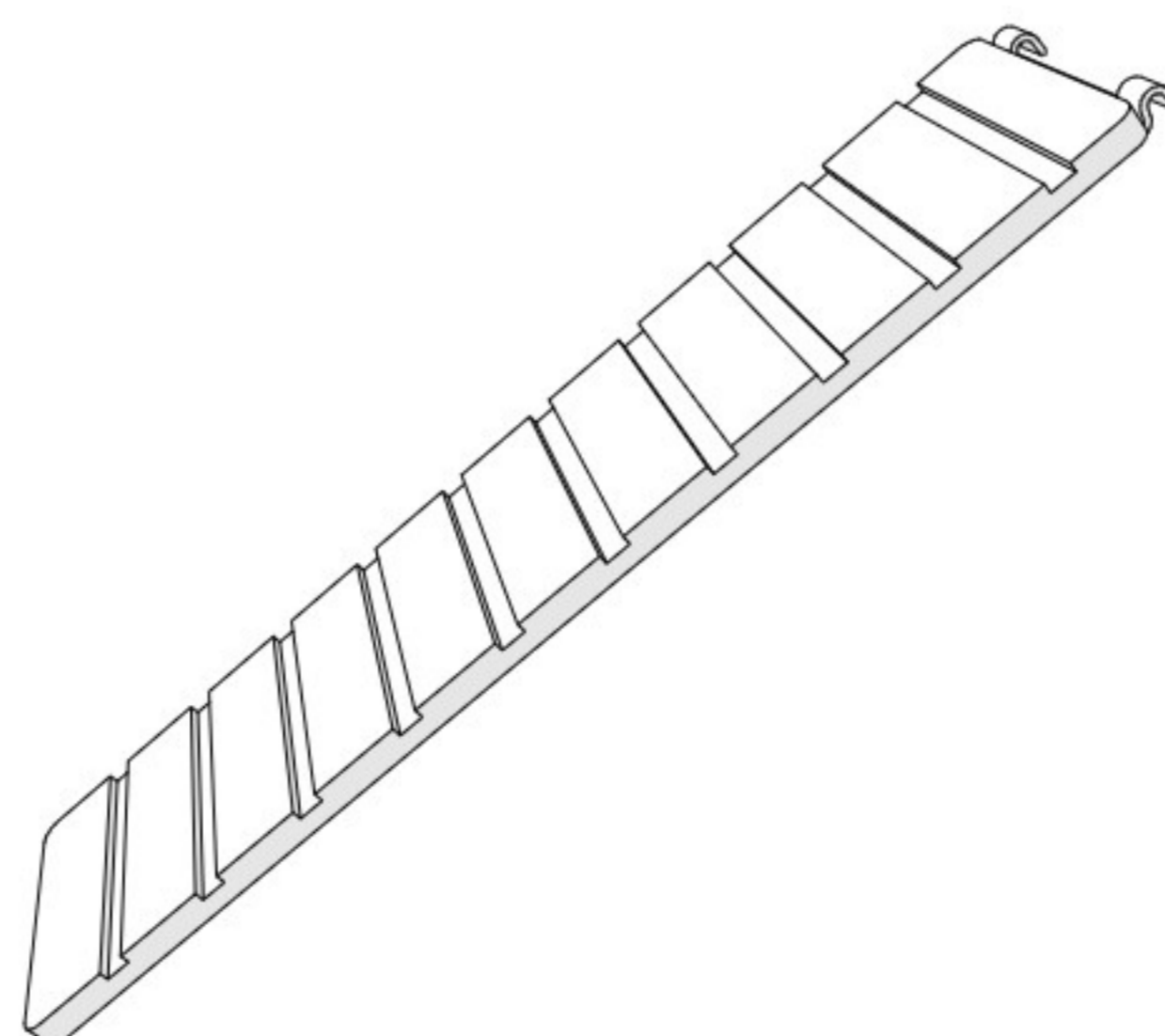
**X4**  
Tunnel 88 Half  
015.1351

## You may also need:

### 015.0350 Boxed Hamster Habitat Connection Kit



**X2**

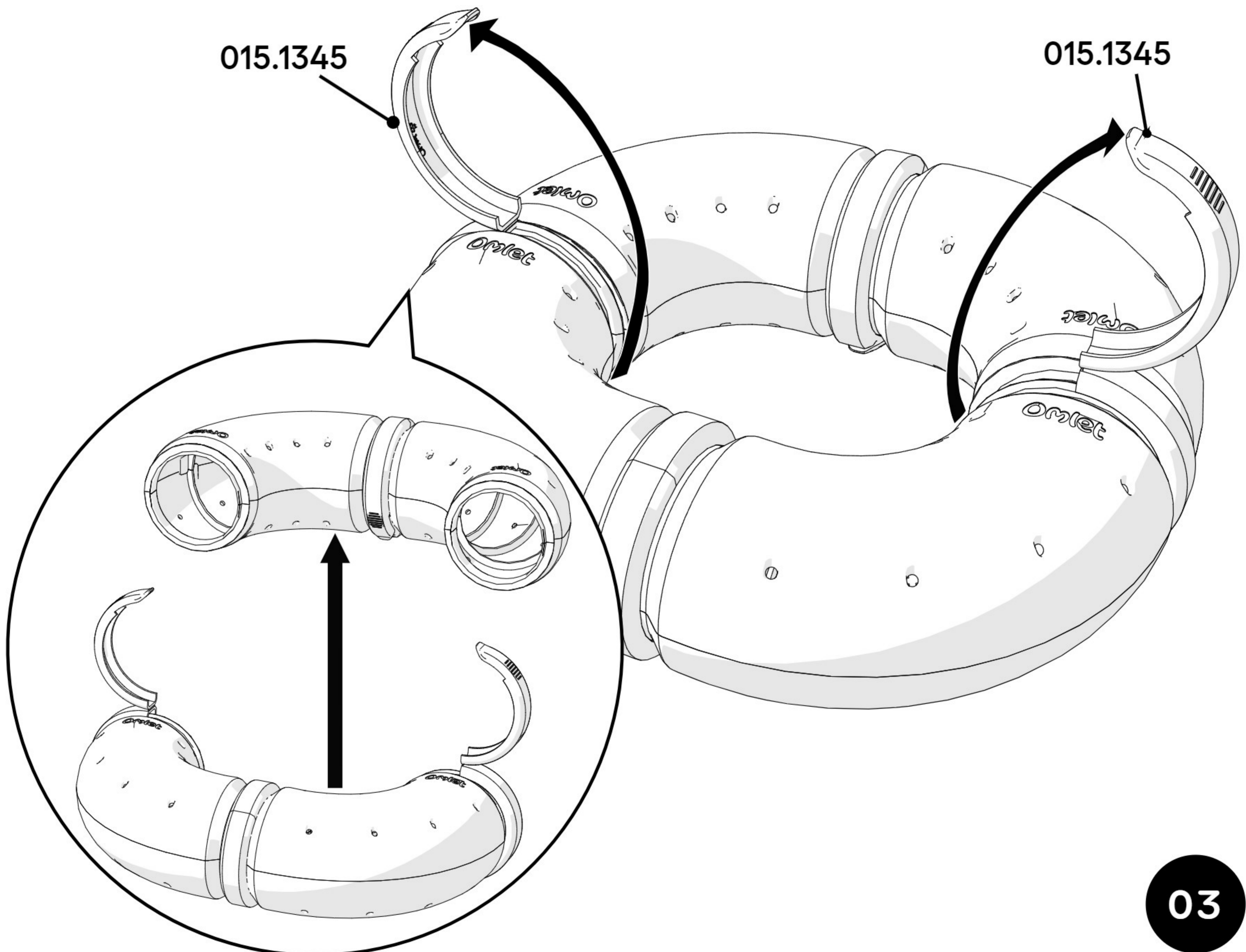


**X2**

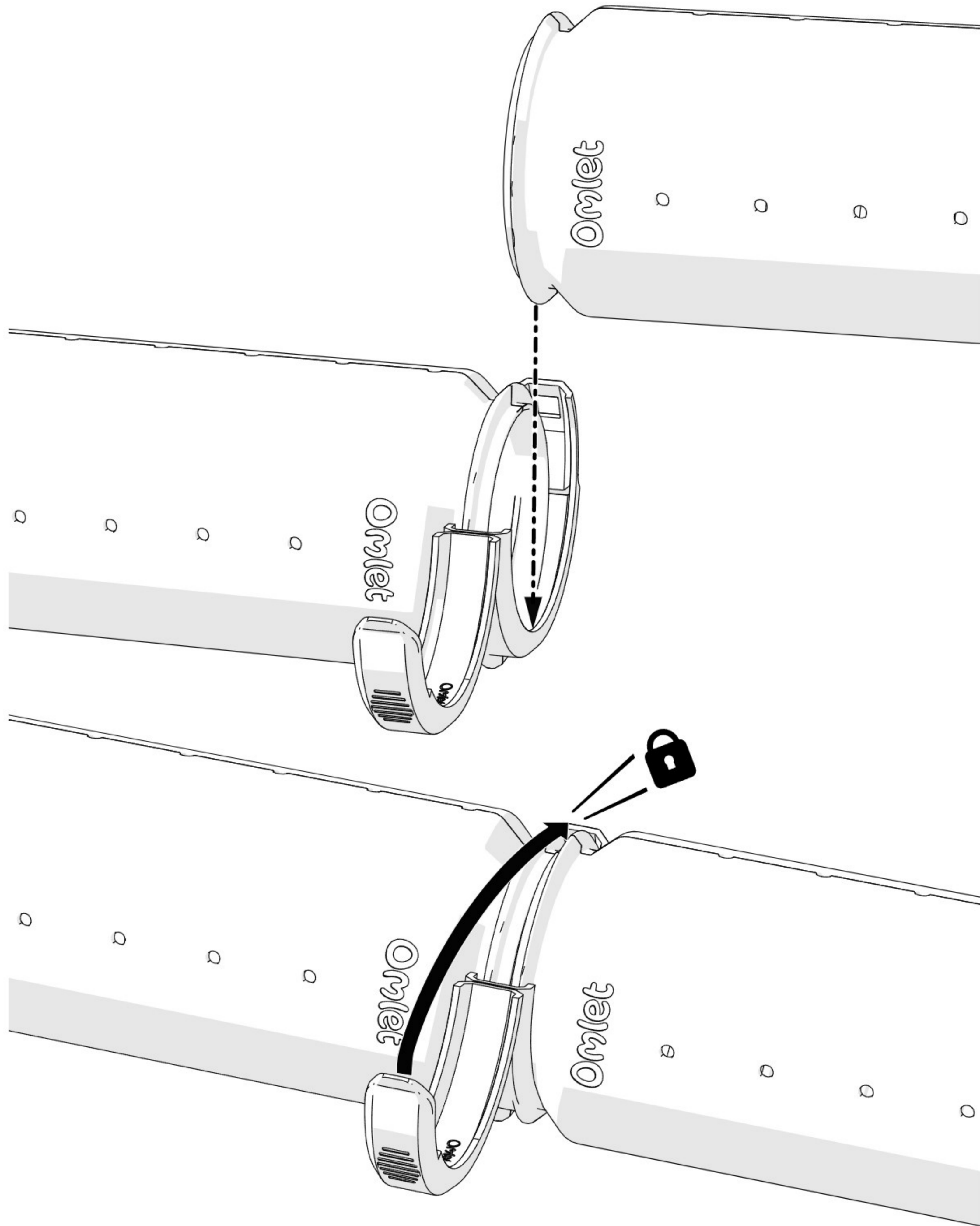
General Information: Preparing your Tunnels.



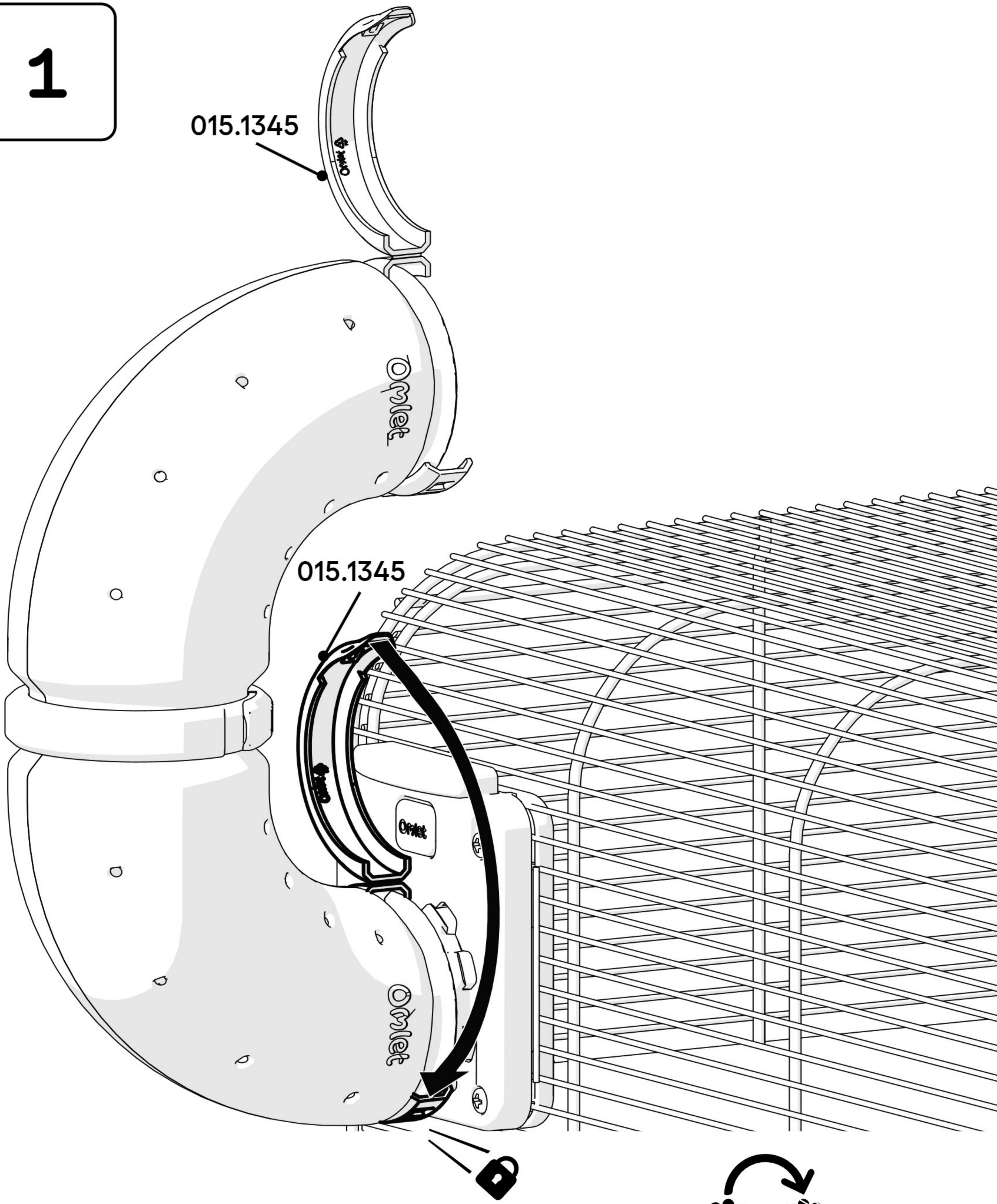
Don't twist the Tunnel Connectors (015.1345) as they may snap.



Please slot your Tunnels together from above not from the side.  
Squeeze Connectors tightly until you hear a loud click.



1

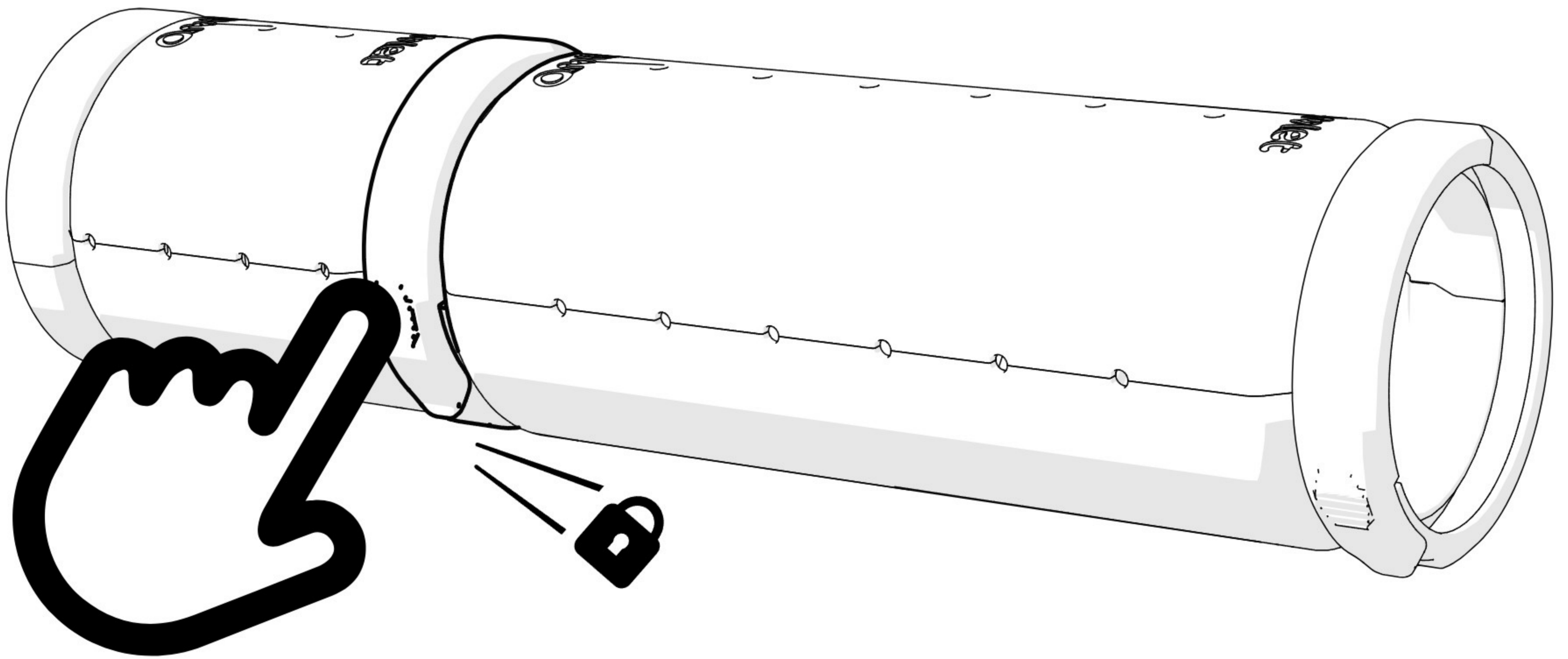
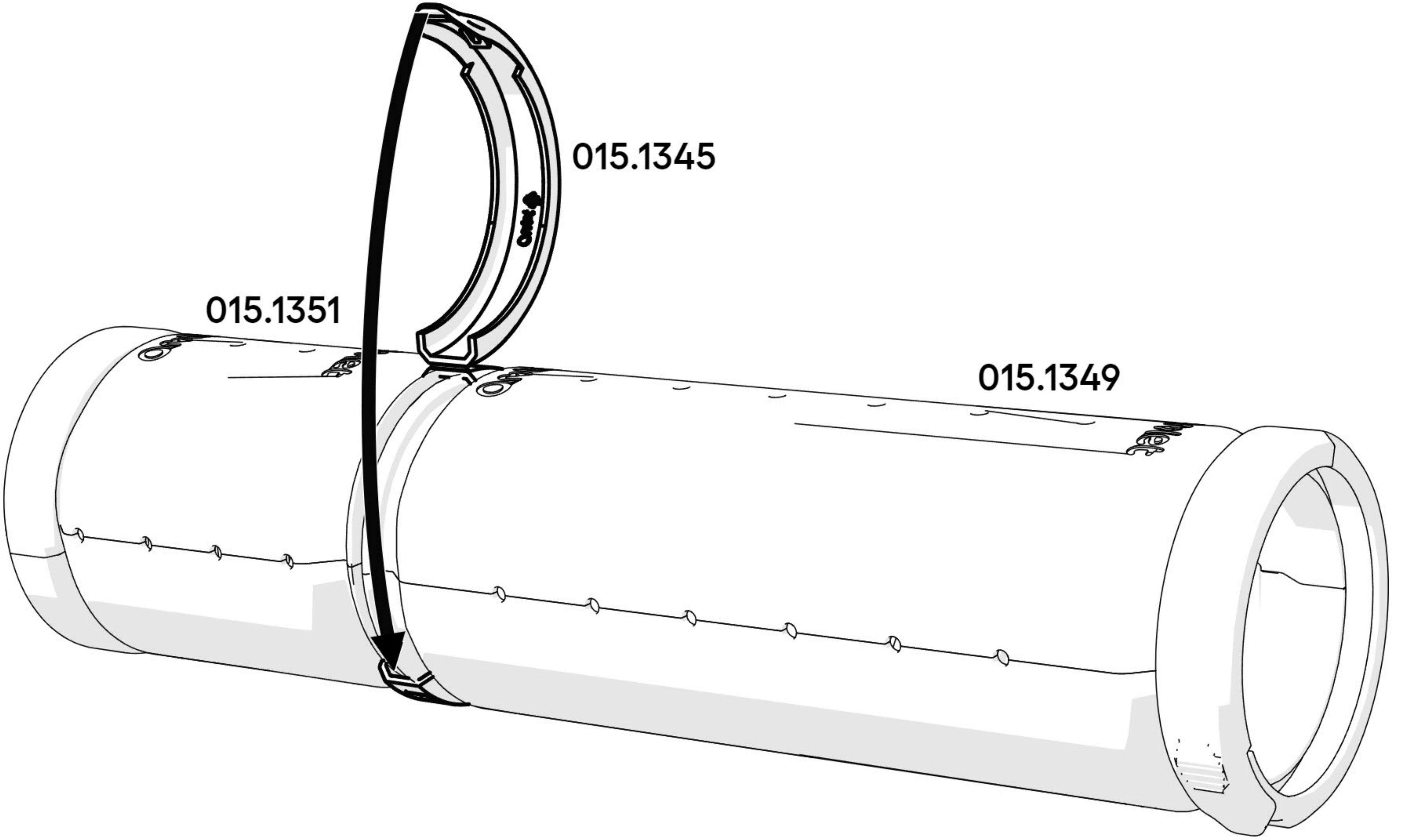


EN Repeat on other side

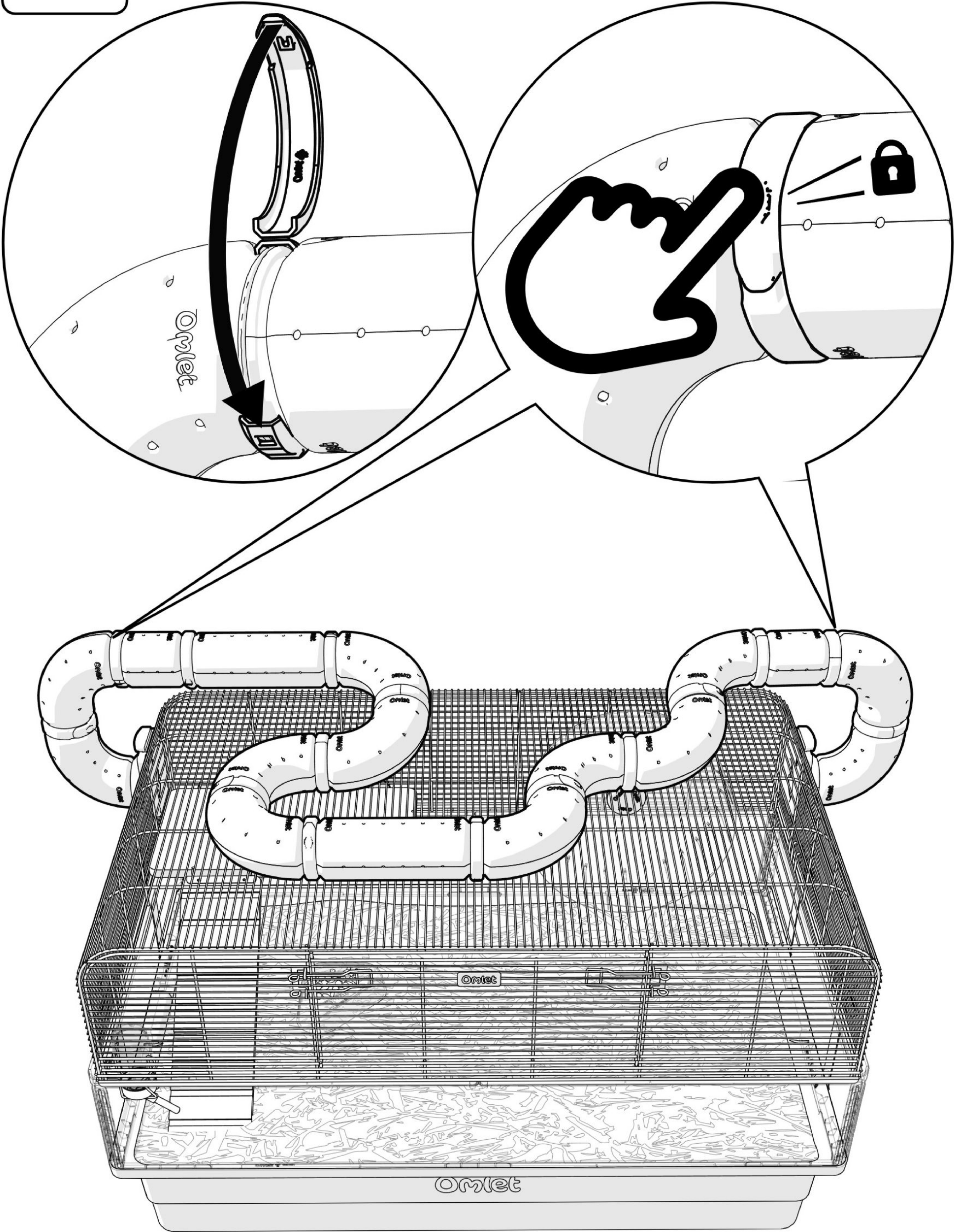


2

Example

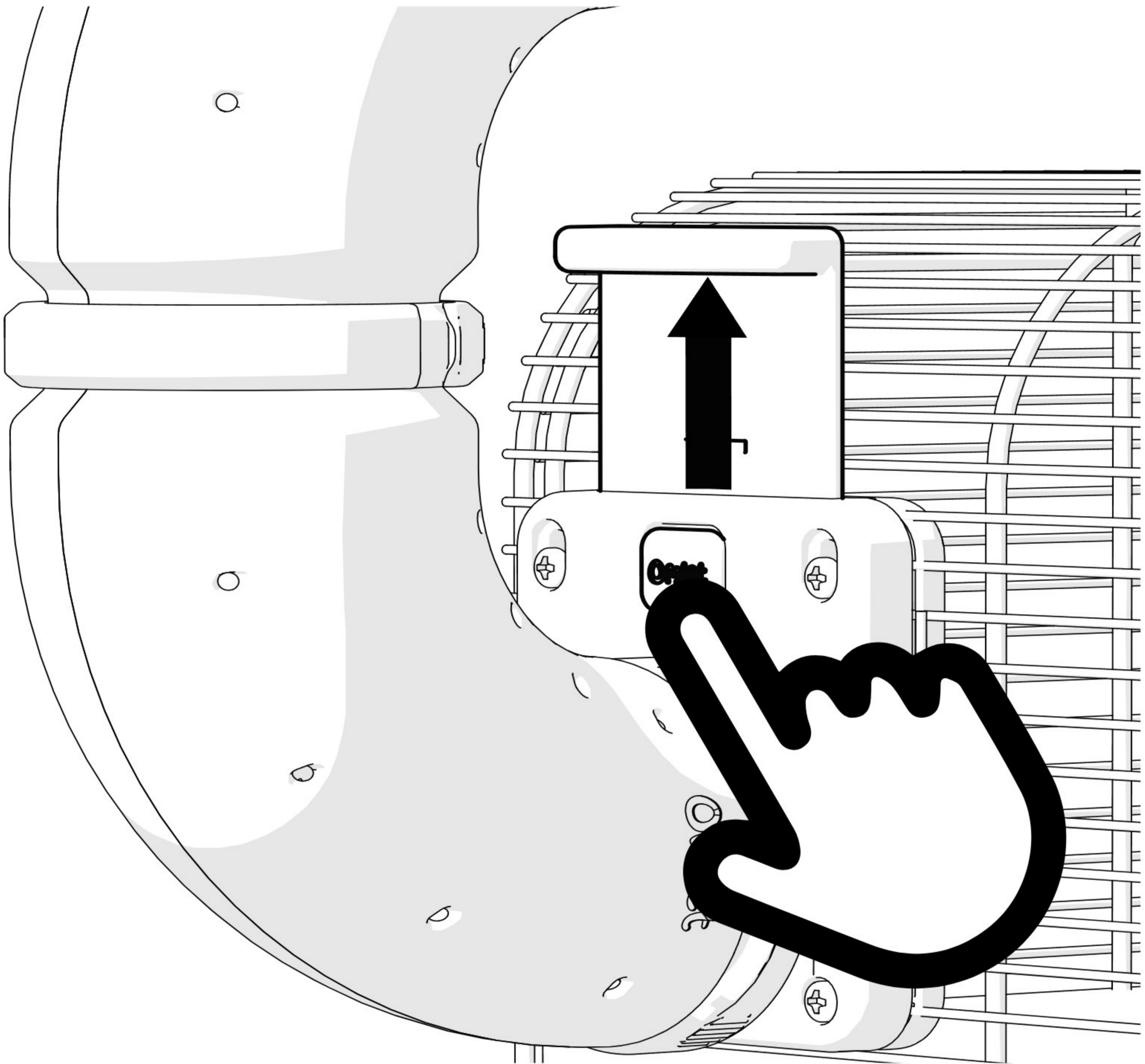


3



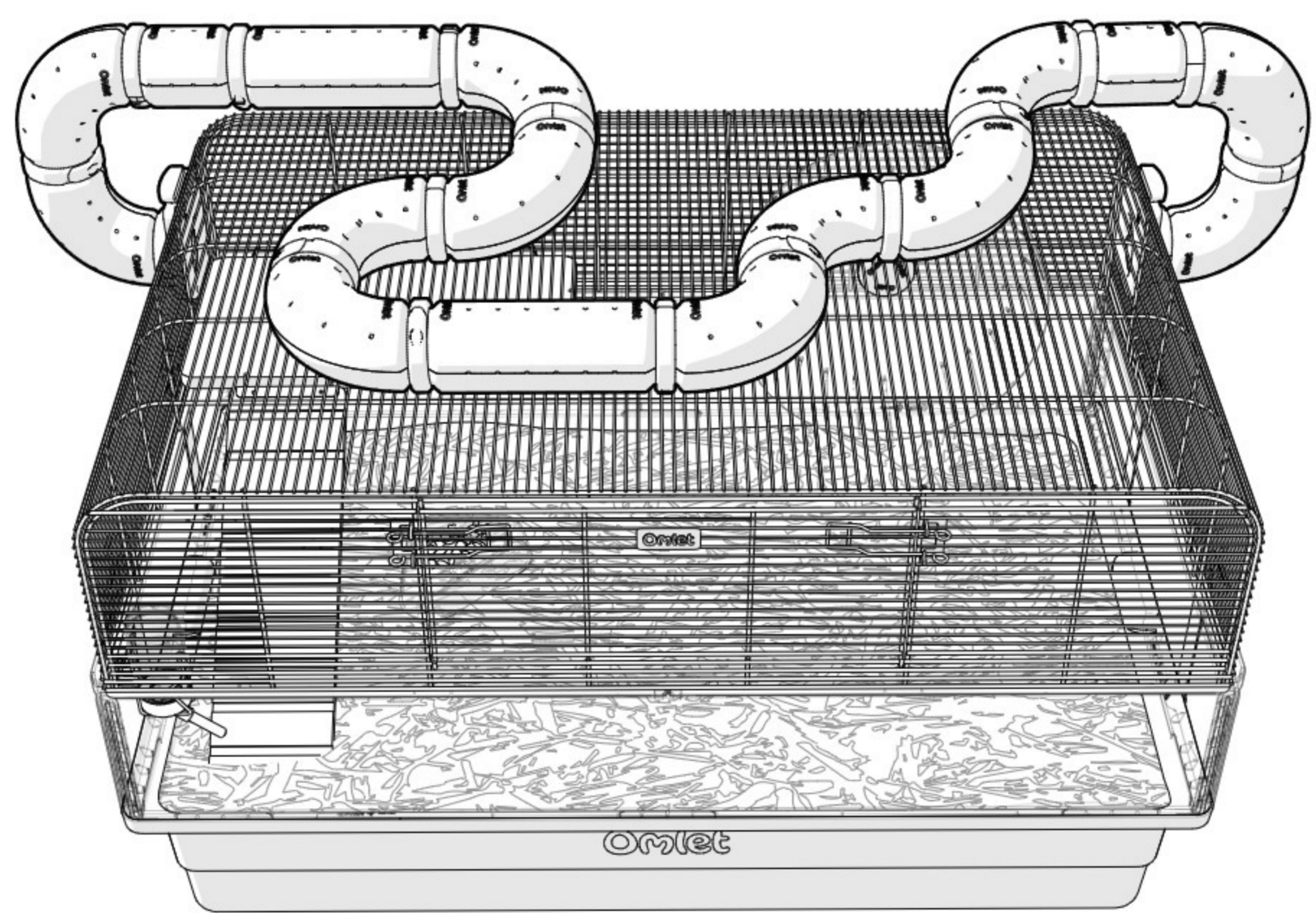
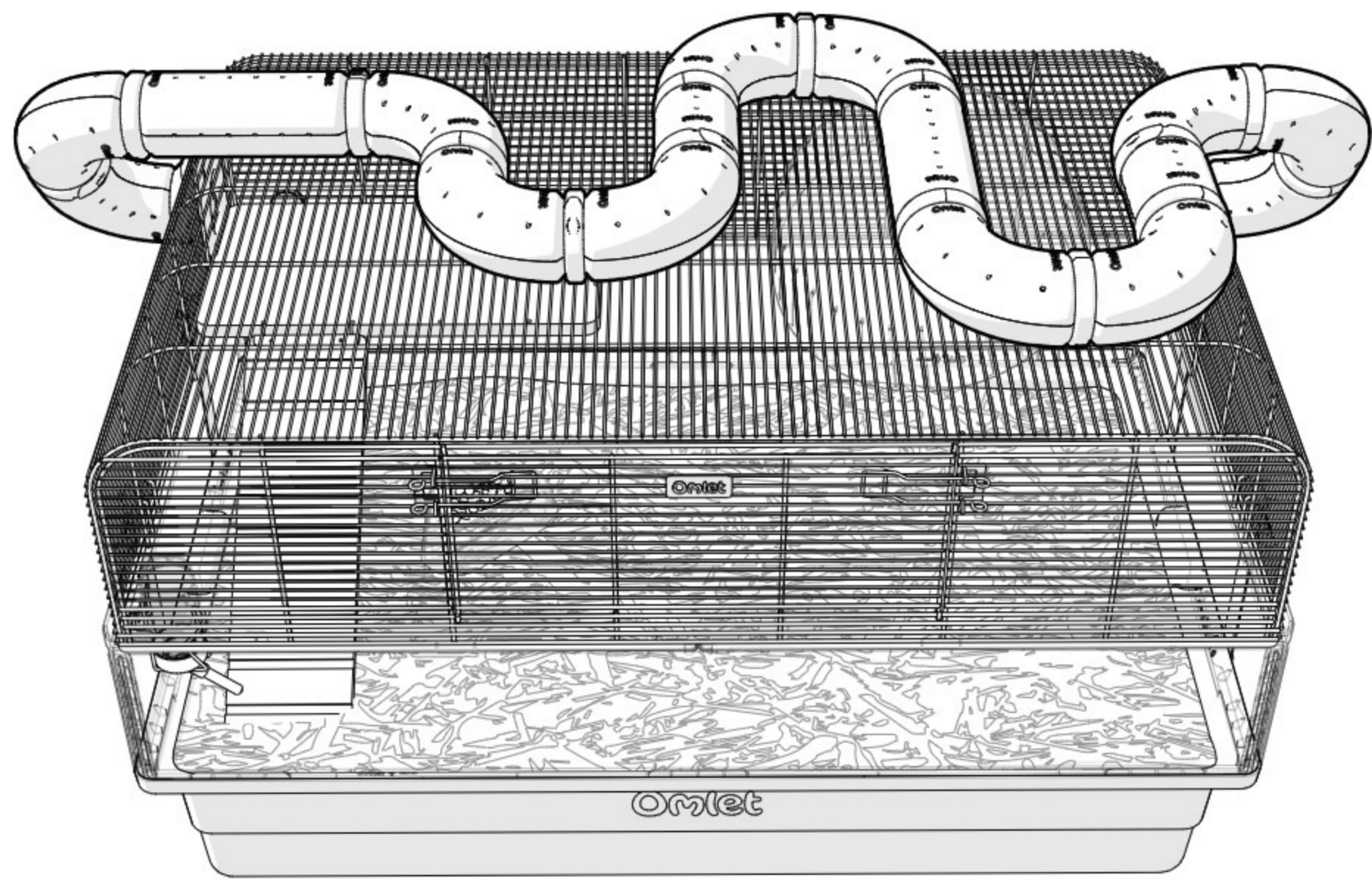
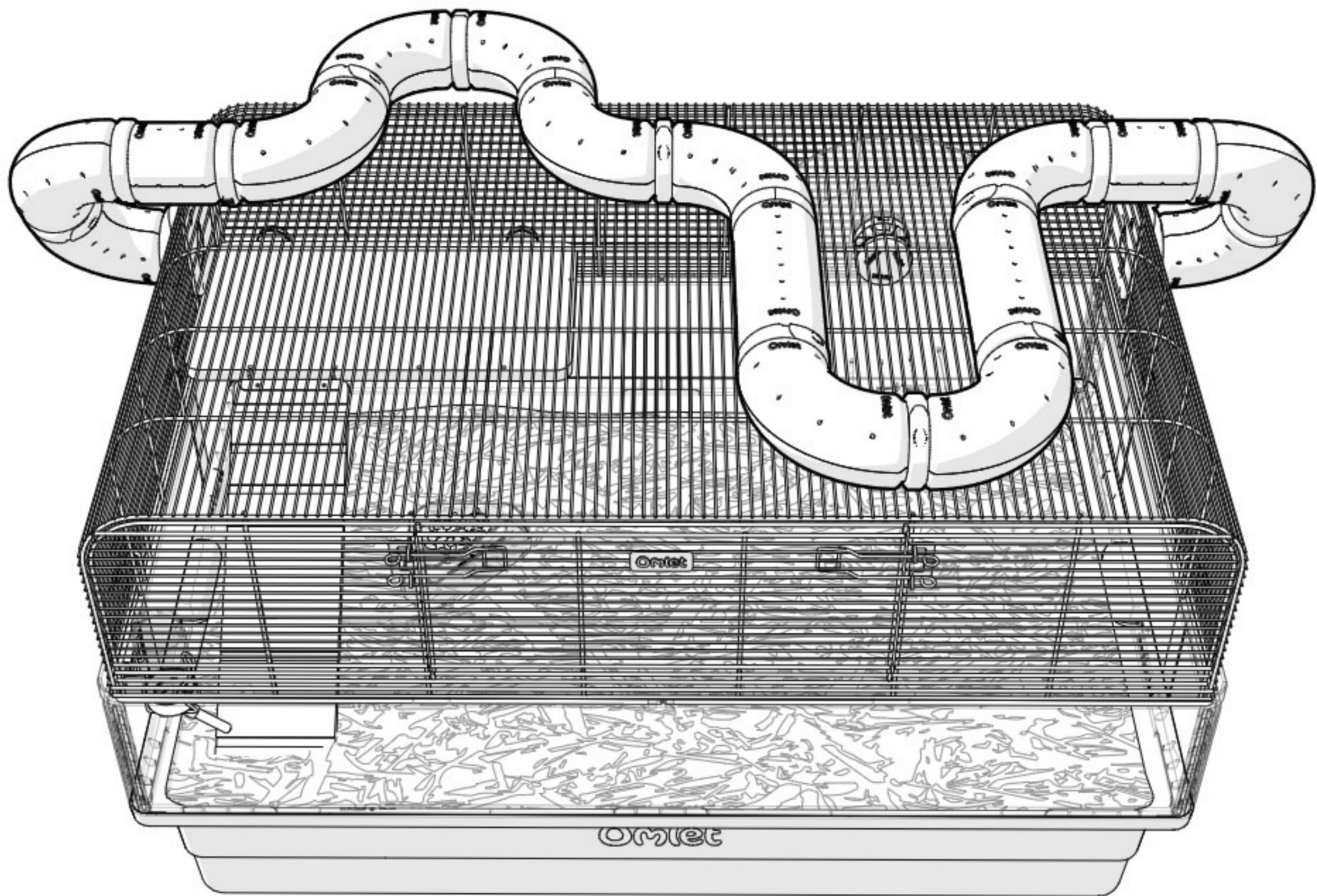
4

Only open door if all Tunnels are connected so your pet doesn't escape.

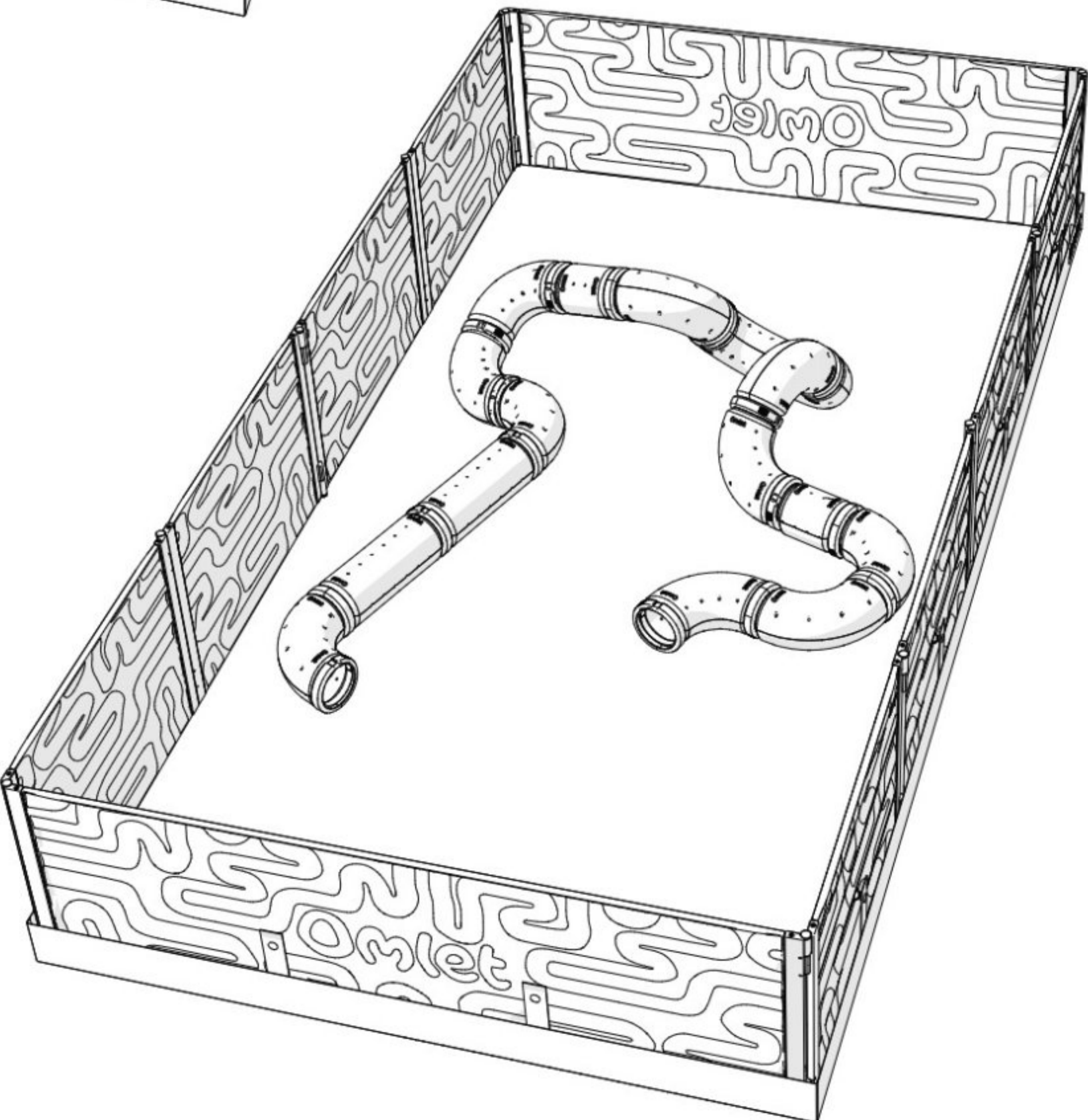
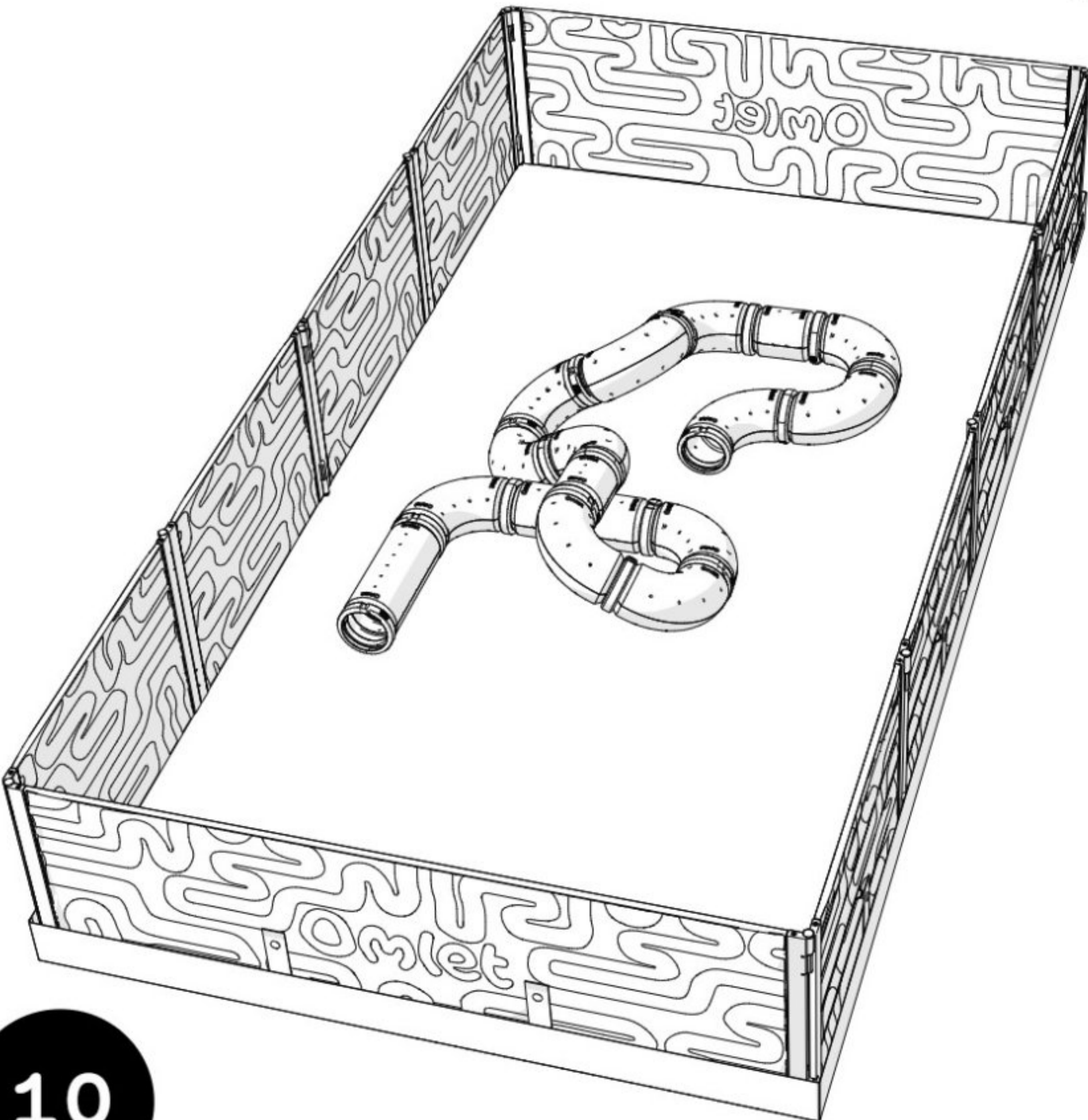
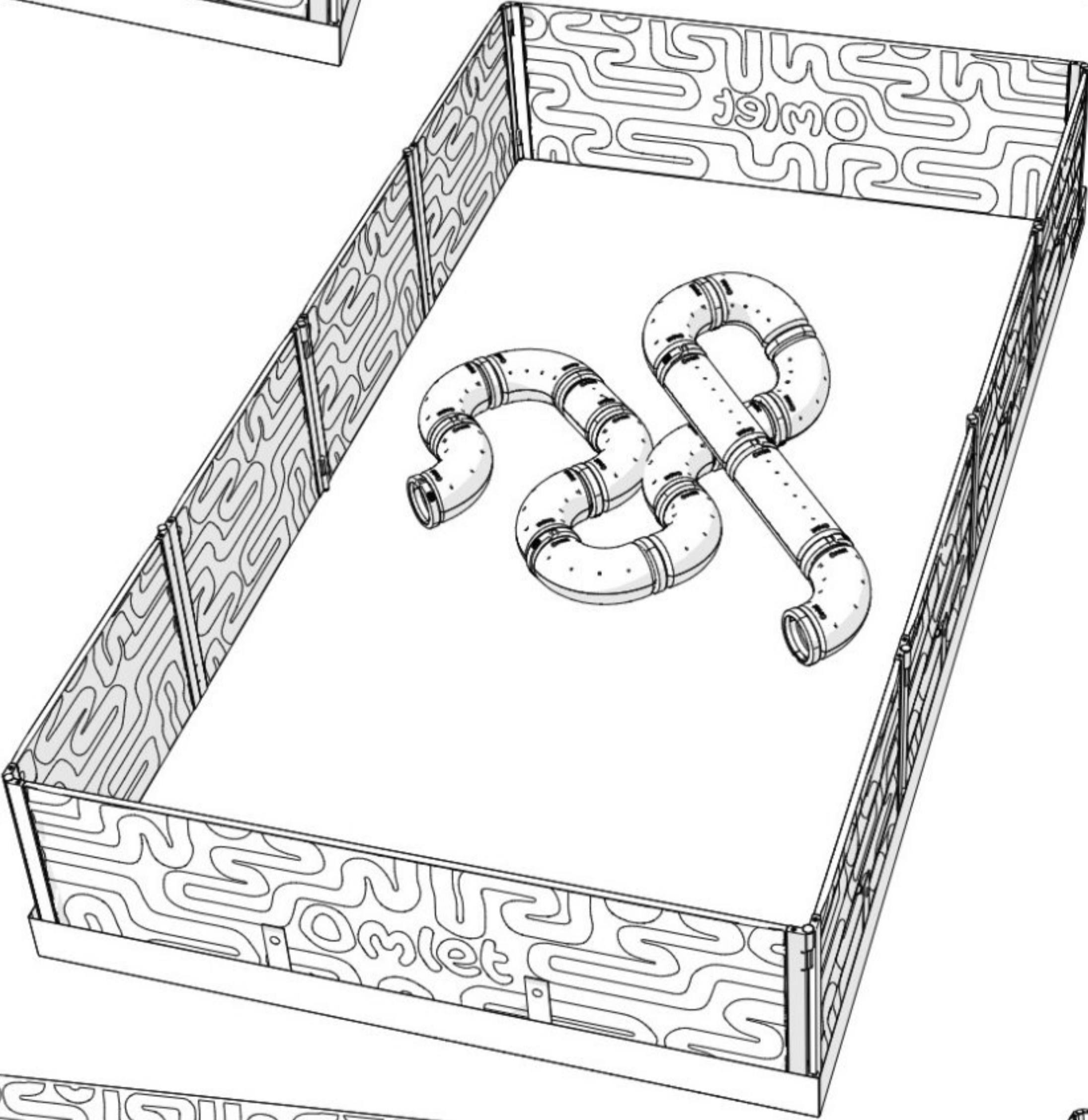
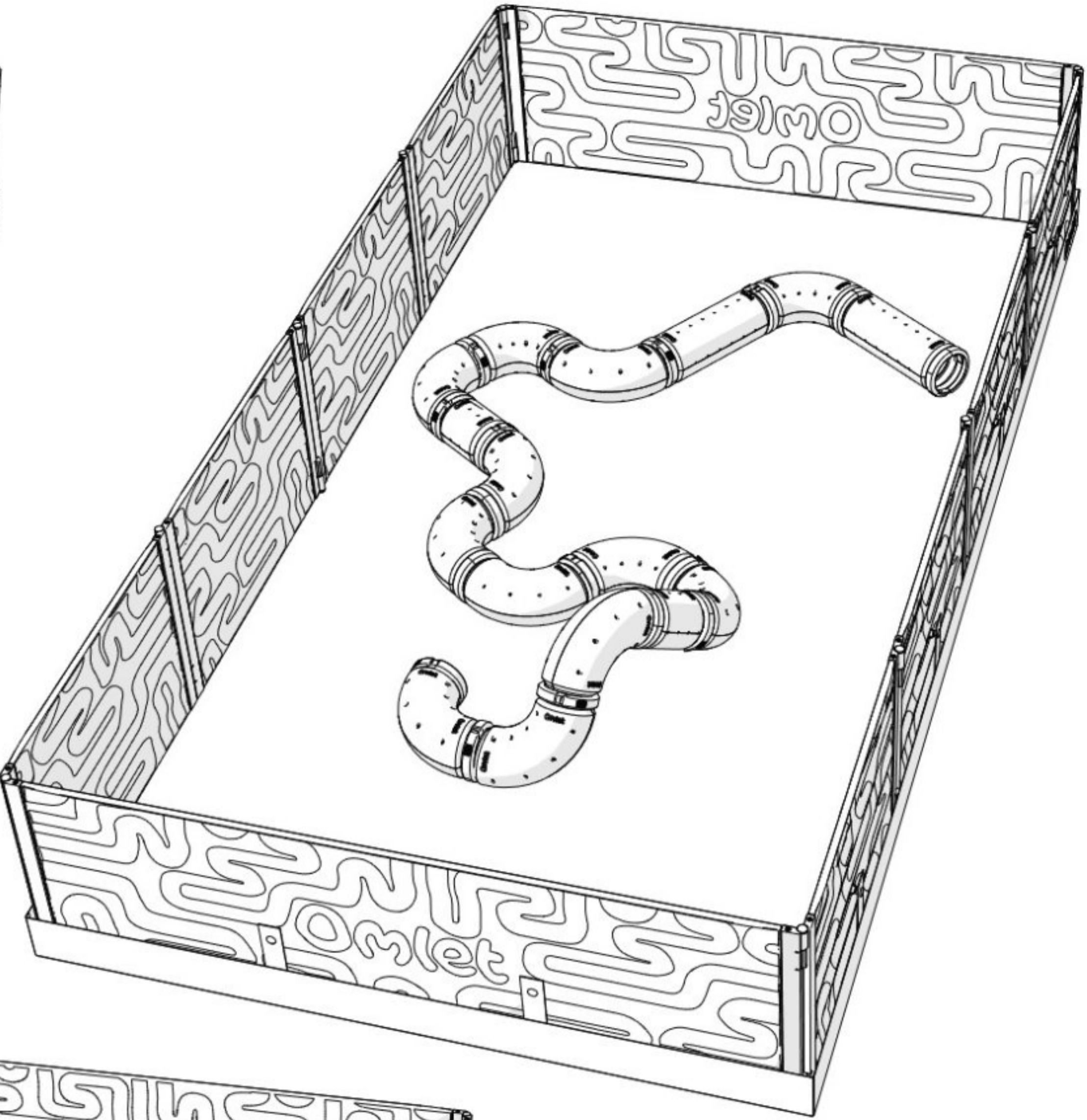
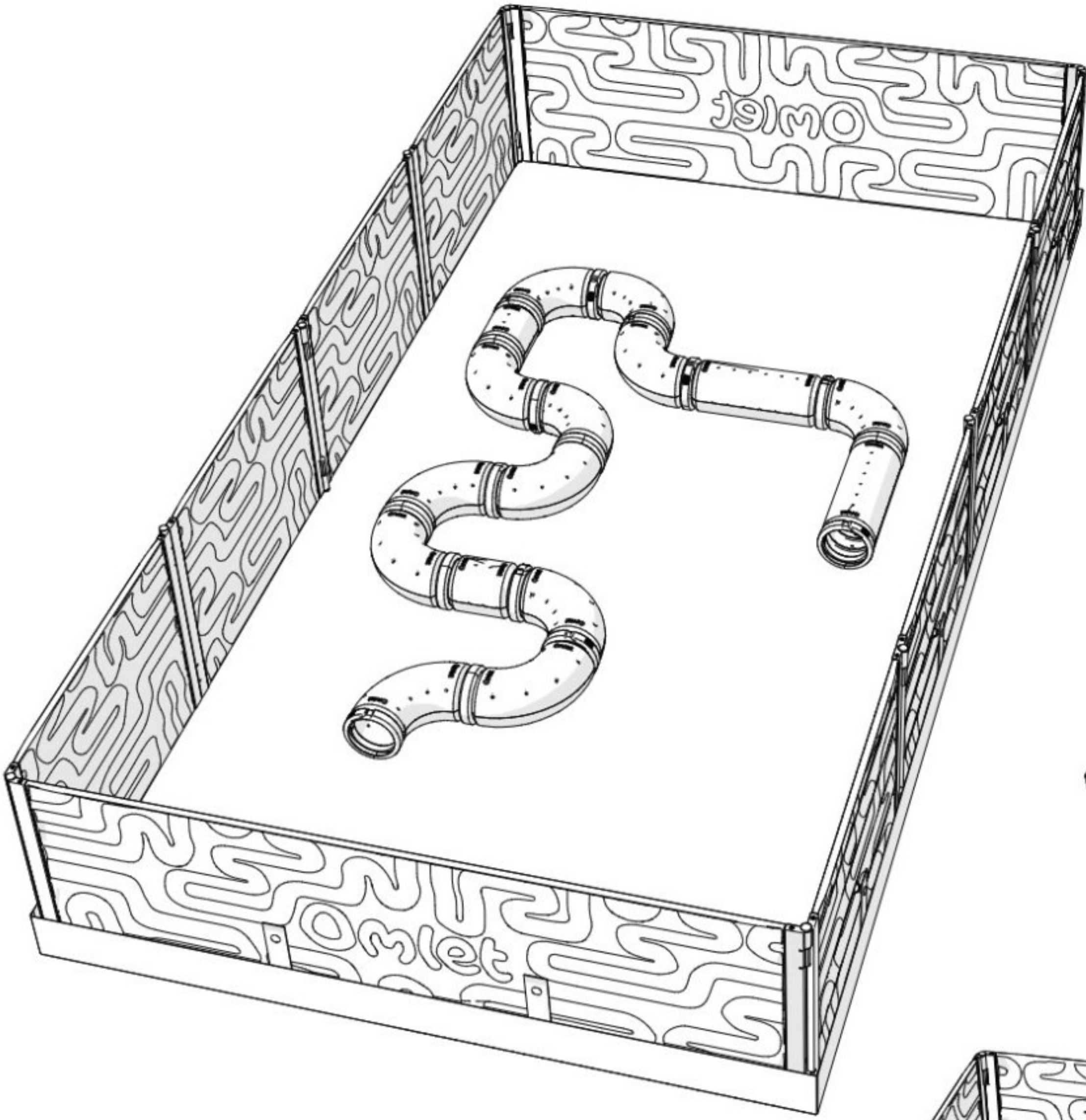




Here's some inspiration for your Tunnel set up!



Here's some Tunnel setup examples in the Omlet Playpen.



Use a pet safe disinfectant and soft cloth to clean.



• DOs and DON'Ts •

**DOs**

- Give your pets access to fresh feed and water at all times.
- Disassemble the Tunnels and clean the inside once a week.
- Update your Tunnel setup from time to time to allow new exploration.
- Remove the Tunnels if you notice that your pets chew them. Putting Tunnel Connectors on the ends of the tunnels in the Playpen can help!
- Supervise your children when playing with your pet and the product.

**DON'Ts**

- You need to supervise your pets at all times when they are using the Tunnels in the Playpen.
- You should not place your product in drafty, damp or wet conditions or in direct sunlight.
- Never lock your pet in the Tunnel.
- Don't place Tunnels too close to edge of Playpen.

# Omlet



Please  
reuse &  
recycle.

© Copyright Omlet Ltd. 2024  
Design Registered, Patent Pending  
Omlet is a Registered Trademark of Hebe  
Studio Ltd.  
820.2713\_Instruction Hamster Advanced  
Tunnel Kit 22/04/2024

