

EGLU CUBE

House assembly guide



Omlet

IT'S HERE

Your build begins here - are you ready? We recommend popping on a playlist and ordering pizza. And practising your victory dance. Because when you see your finished coop, your chicken keeping joy will be hard to contain.



Watch our step by step video to get it right first go.



www.omlet.us/how_to_build



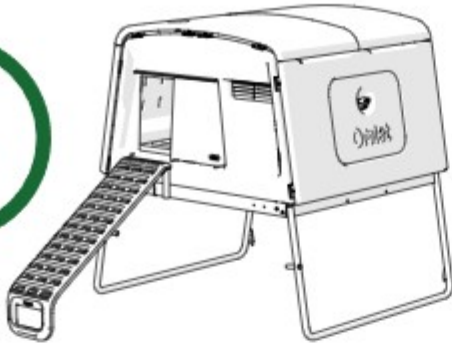
You will need...



Important Information! Please read before use.

Regular maintenance of the product is recommended. Some components are made from metal and the coating may need maintenance over time. We advise regularly rinsing with potable water, especially if you live in an area that is coastal. If rust spots do develop, repair the area. If unsure how to do this, seek professional advice. Check your clips regularly for damage or fatigue. Compromised clips will affect the integrity of your run. Spare clips are purchasable on our website.

Eglu Cube Assembly Configurations:



Eglu Cube and Frame
Box: A, B, and C



Eglu Cube, Frame and Wheels
Box: A, B, C and E

What you have received

064.0085: Boxed House A Assembly SF



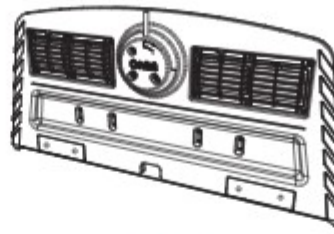
X1

Front Panel Right Assembly
064.0083



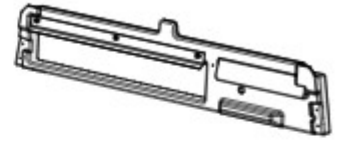
X1

Front Panel Left Assembly
064.0082



X1

Back Door with Lock
064.0108



X1

Back Bar
064.0007



X4

Feeder Drinker Hook
810.0183



X1

Feeder
064.1040



X1

Drinker
064.1041



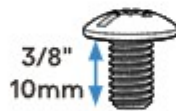
X1

Nesting Box
064.1011



X1

Nest Box Partition
064.0011



X4

M6x10mm Screw
800.0240

064.0088 Boxed Runners Box A SF



X1

Roosting Rack Support
064.1047



X1

Droppings Tray Support
064.1142



X1

Tray Runner
064.1101



X1

Water Run-off Front Panel
064.1138



X1

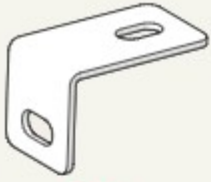
Front Panel Insert Front
064.1182



X1

Front Panel Insert Back
064.1183

064.0087: Fixings Pack Box A SF



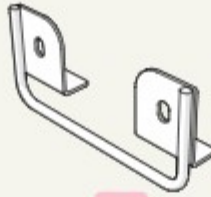
X4

Side to Front Panel Bracket
064.1017



X6

Side to Roof Panel Bracket
064.1023



X2

Back Door U-Bracket
064.1028



X1

Roof Joint Bracket
064.1155



X1

Tray Locking Clip
064.1043



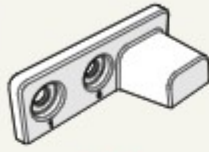
X2

Back Bar Bracket
064.1099



X2

Partition Bracket
064.1103



X1

Locator Block
064.1143



3/8"
10mm

X59

M6x10mm Screw
800.0240



5/8"
16mm

X2

M6x16mm Screw
800.0241



X3

Bracket Threaded
064.1016



X16

Self Tapping Screw Pozi Pan
4x8mm
800.0184



X5

Self Tapping Plastite Screw Countersunk
3x9mm
800.0450

064.0086: Boxed House B Assembly SF



X1

Roof Panel Front
064.0063



X1

Roof Panel Rear
064.0014



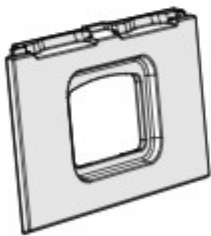
X1

Droppings Tray
064.1010



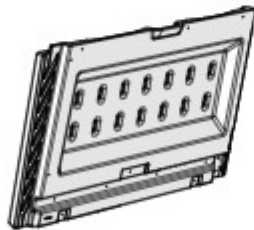
X1

Roosting Rack
064.1012



X1

Left Side Panel
064.1001



X1

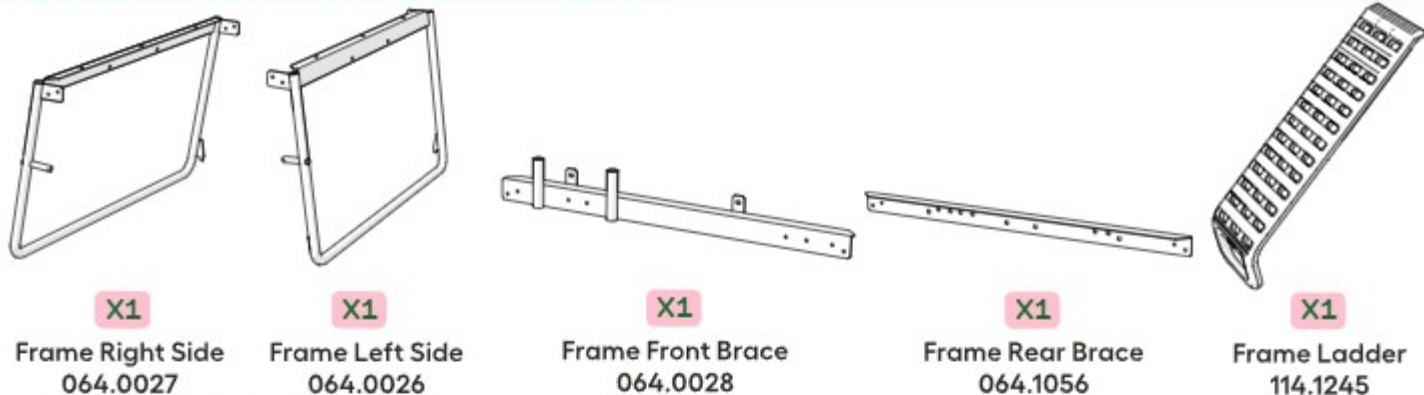
Right Side Panel
064.1002



X1

Egg Port with Lock
064.0112

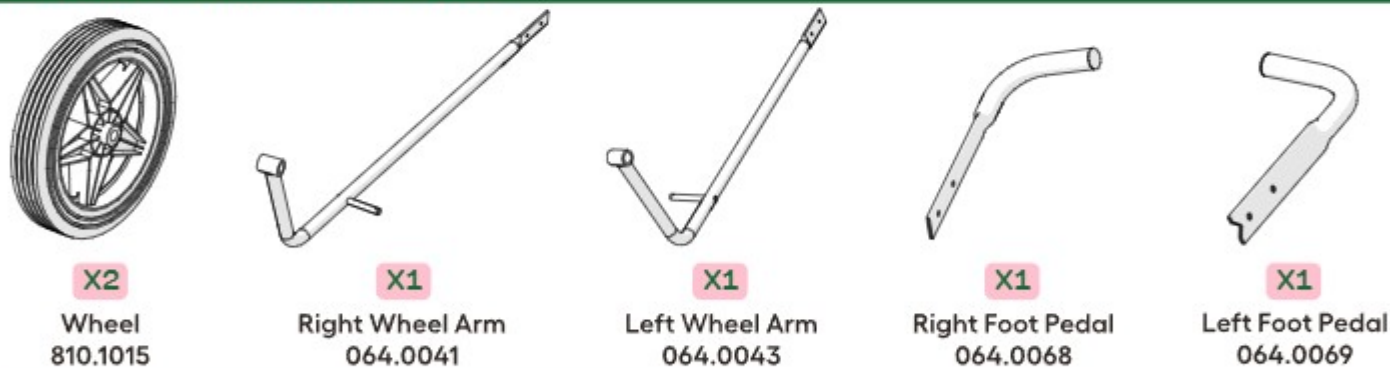
064.0045: Eglu Cube Frame Assembly Box C



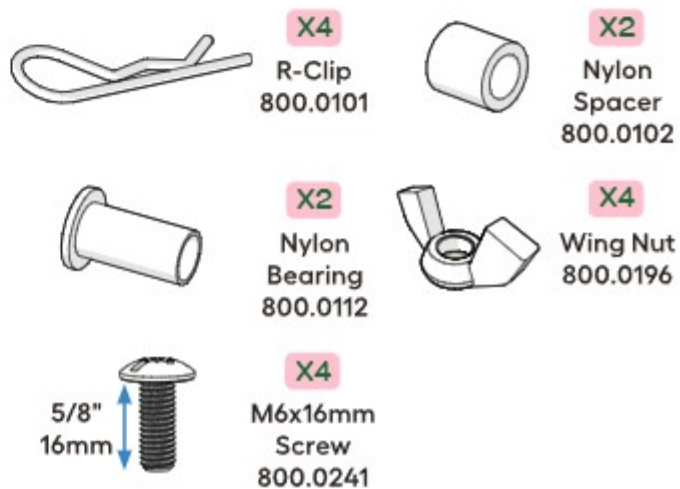
064.0039: Fixings Pack Box C



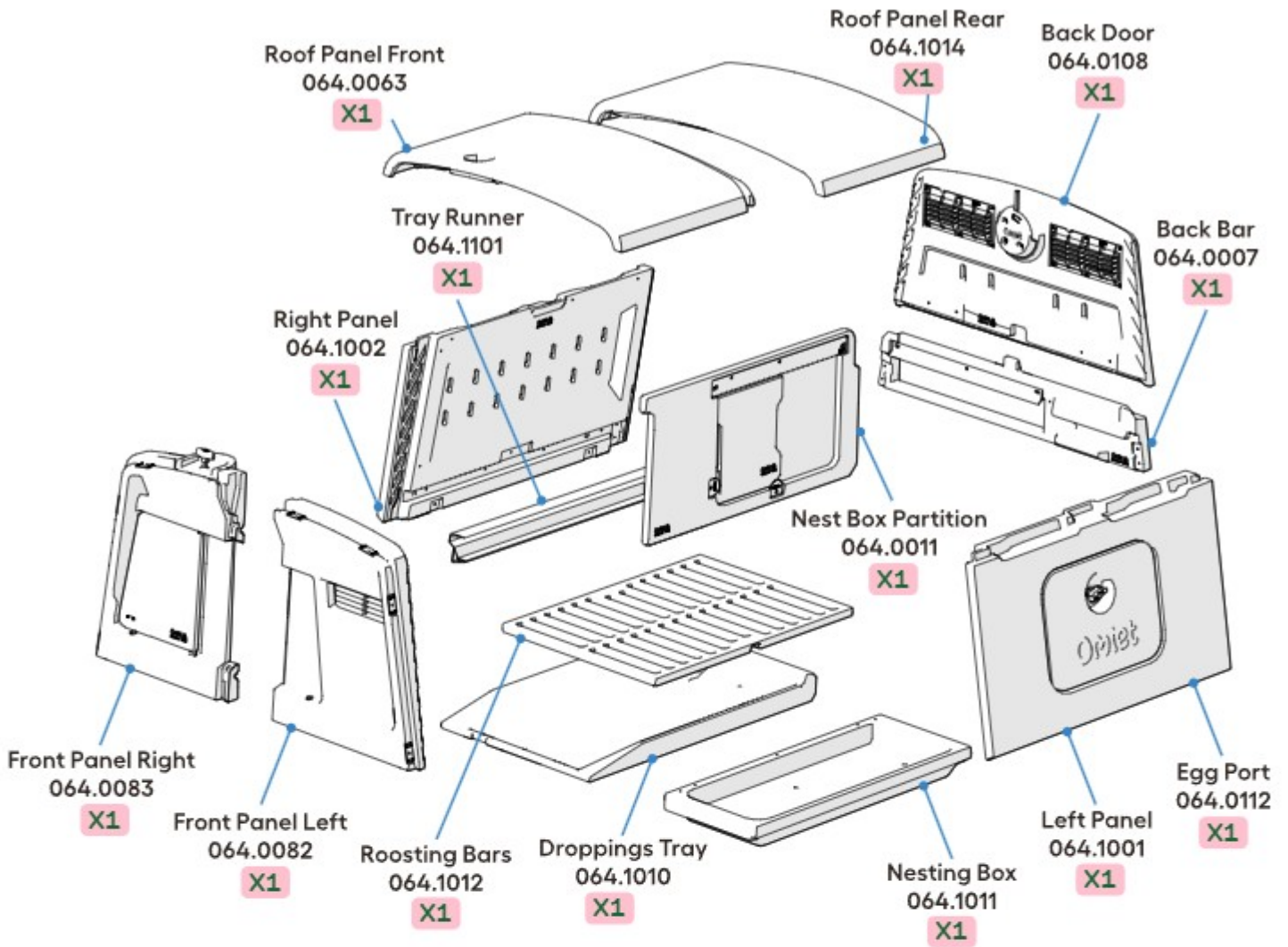
064.0047: Wheels Assembly Box E



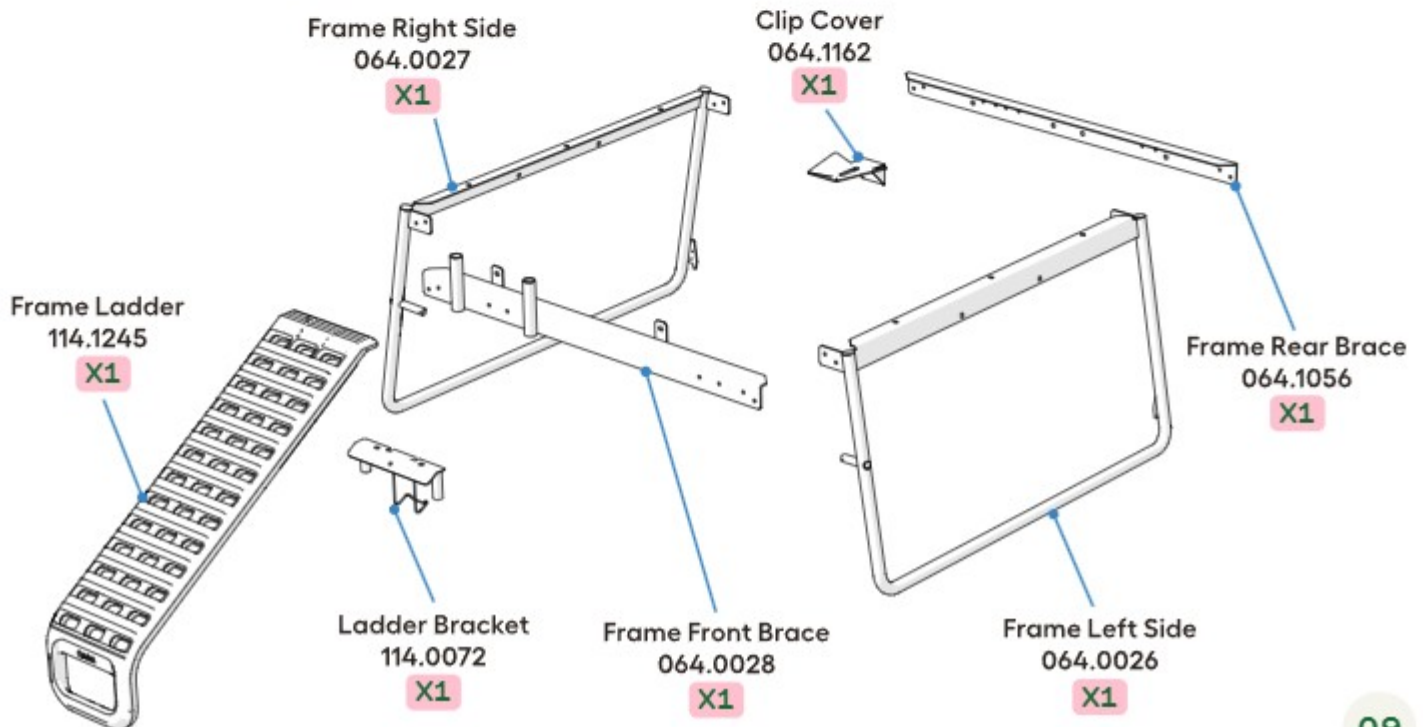
064.0038: Fixings Pack



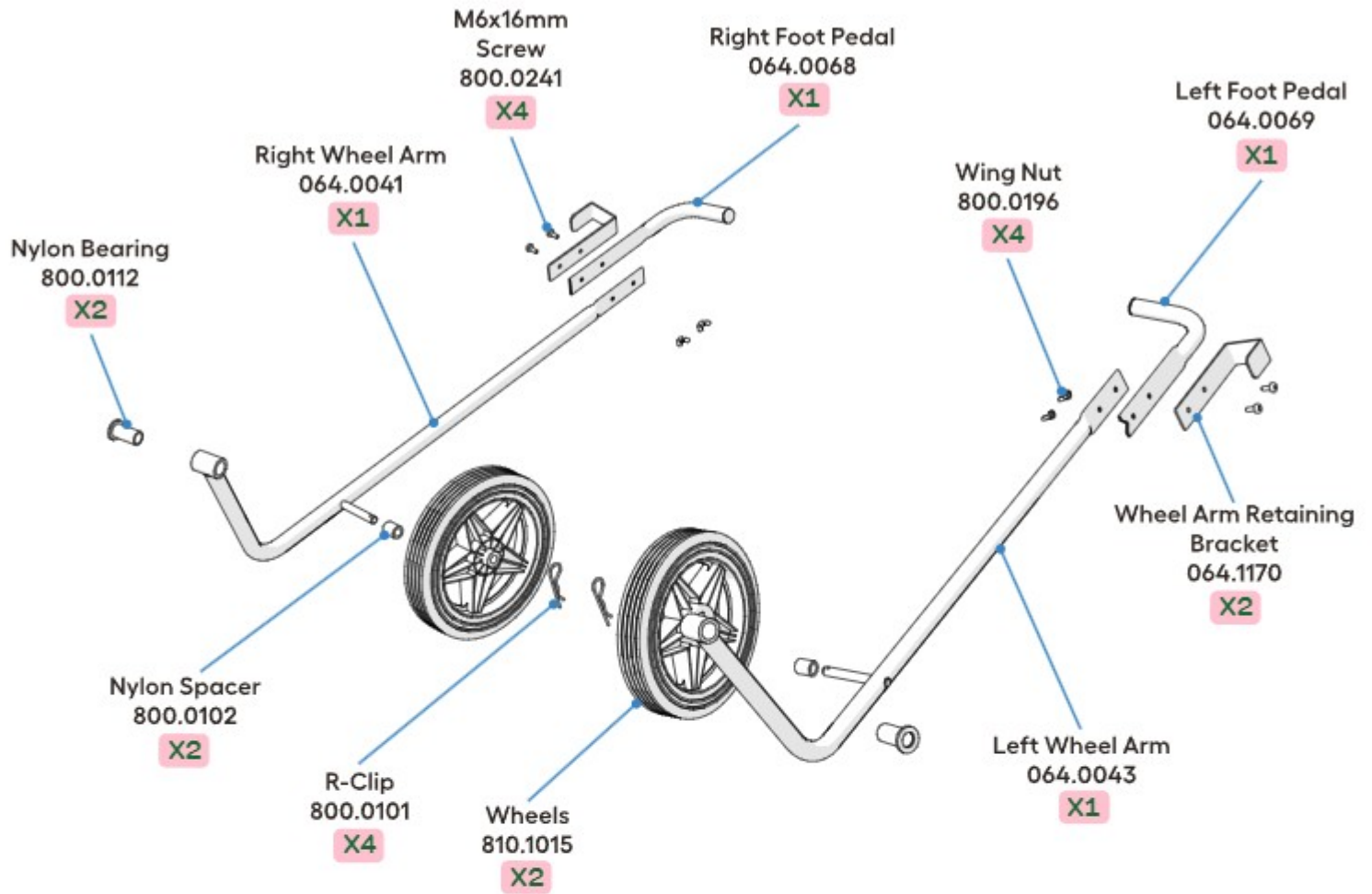
Eglu Cube Exploded Assembly



Frame Exploded Assembly



Wheels exploded assembly



ICONS

We've provided this page so you can keep it handy and refer to it throughout the build.



Hold still



Fully tighten



Partially tighten



Fully tighten



Partially tighten



Fully screw in



Correct



Incorrect



Go to step...



Pay attention



Repeat - Other side



Lock



Night time



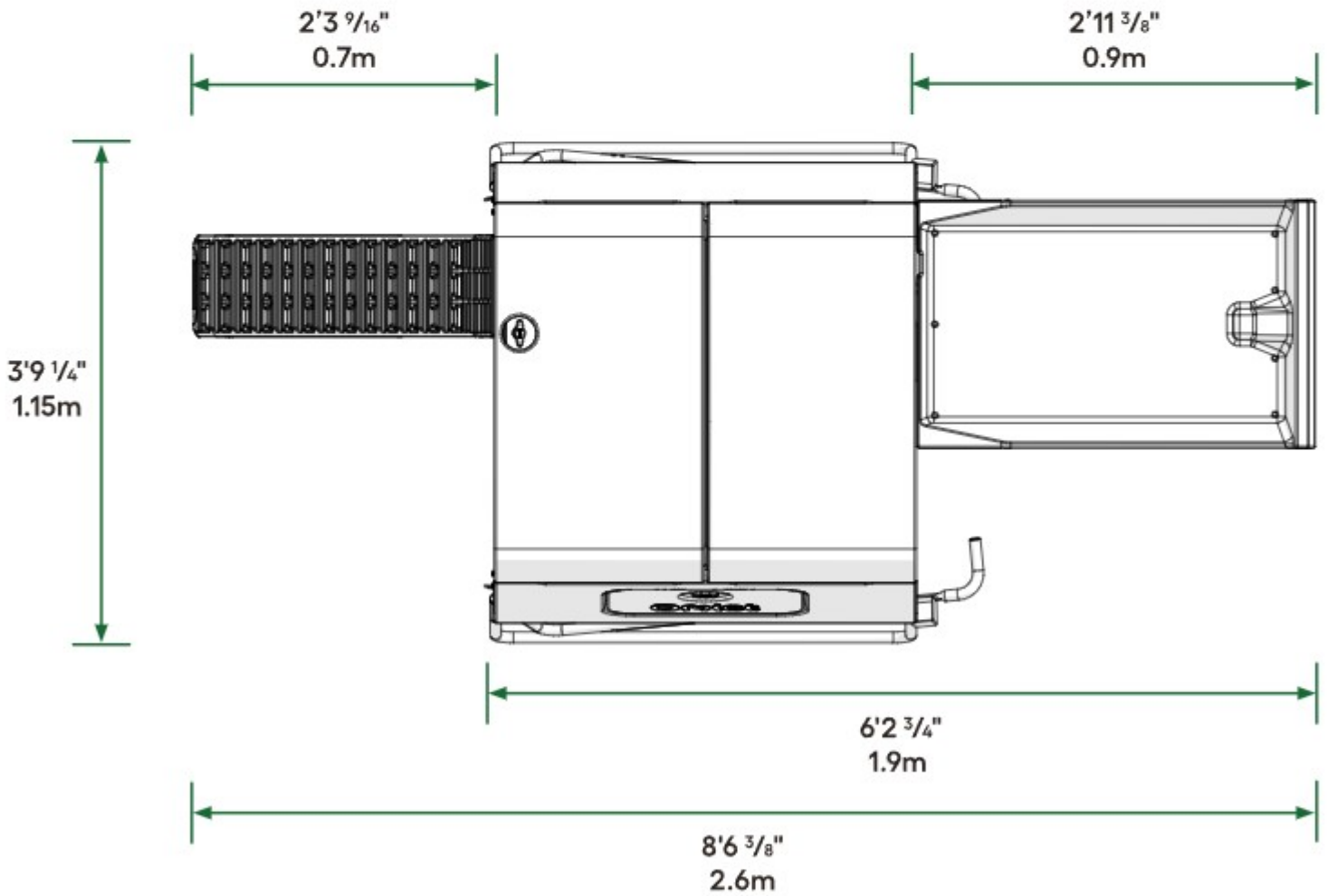
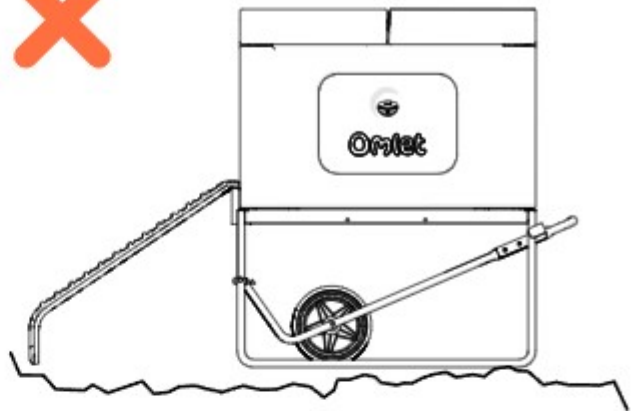
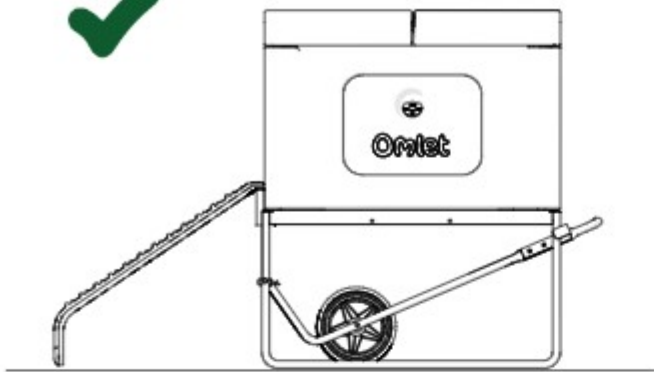
Day time



Warning



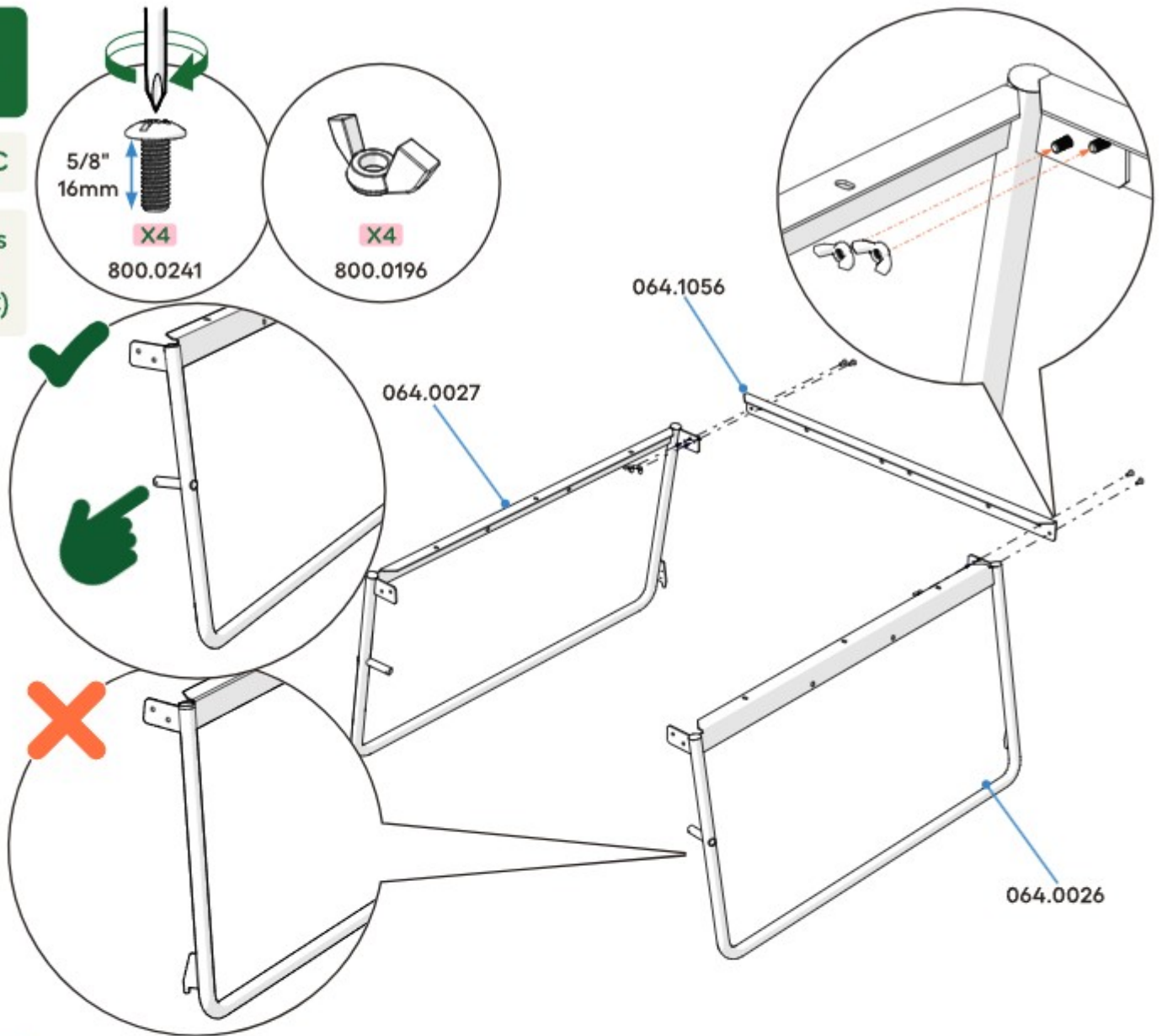
Calendar days



1

Box C

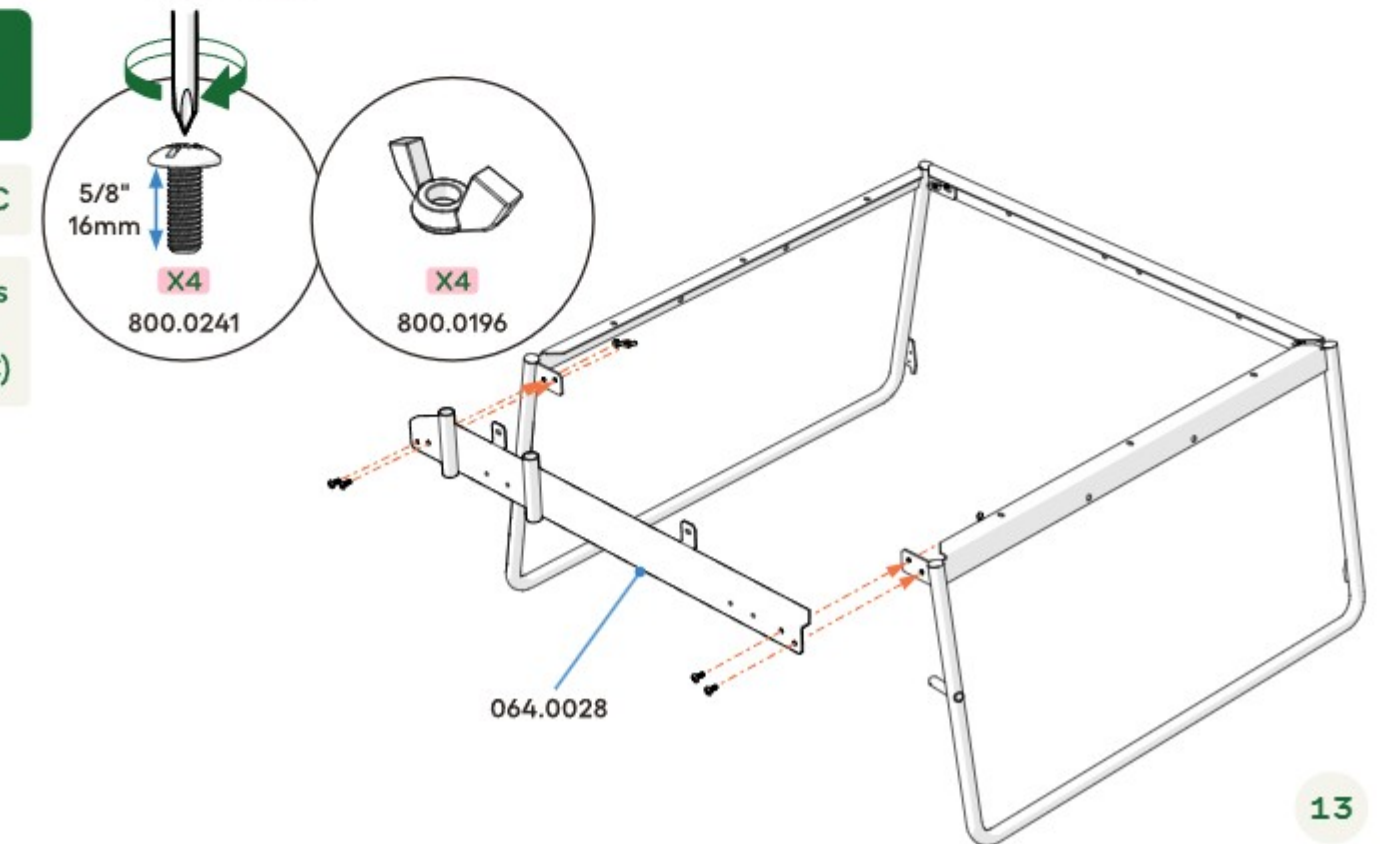
Fixings Pack (Box C)



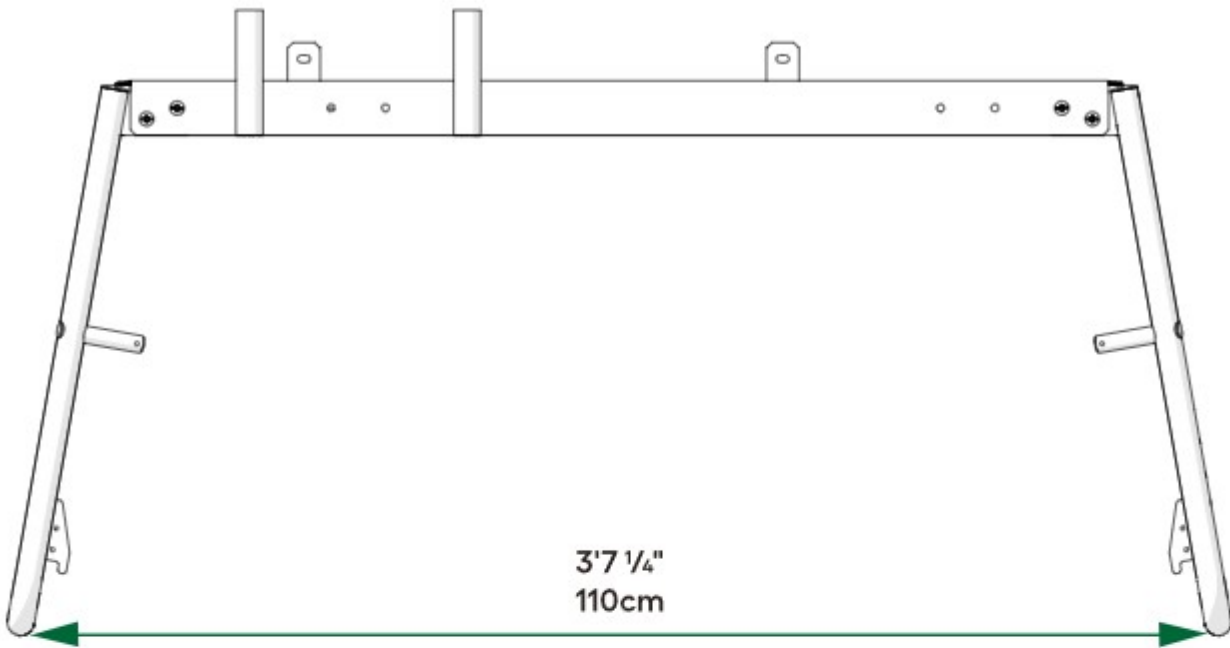
2

Box C

Fixings Pack (Box C)



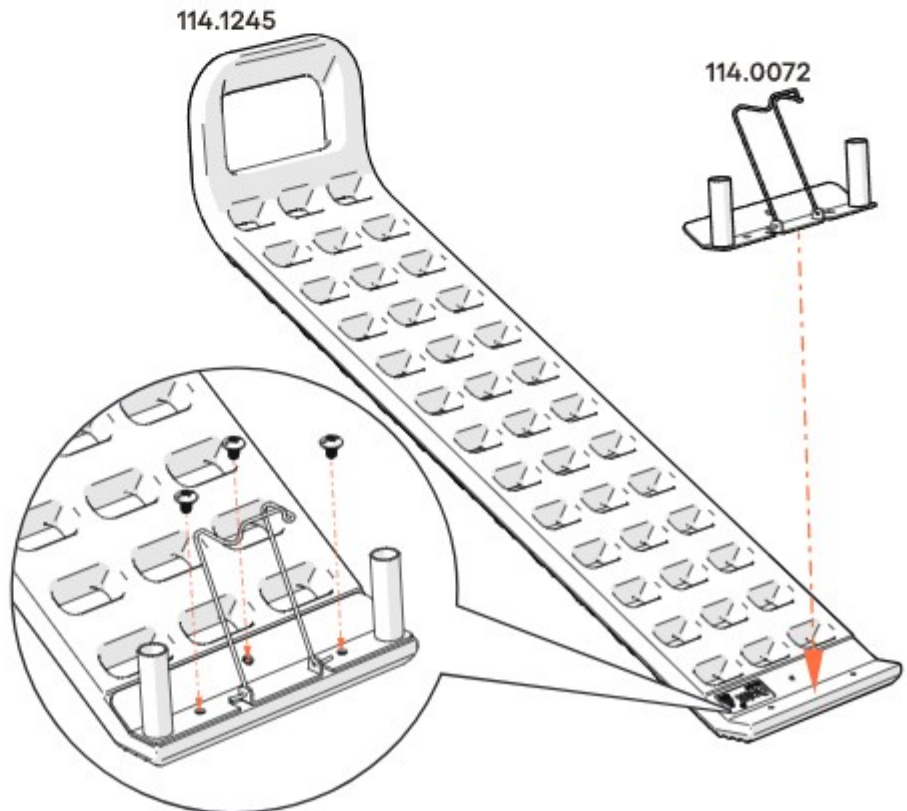
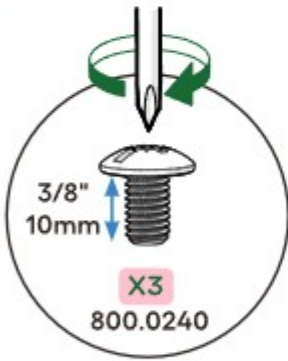
Distance between legs must be approximately 3'7 5/16" (110cm). To adjust, partially loosen screws, correct angle of legs, and retighten screws.



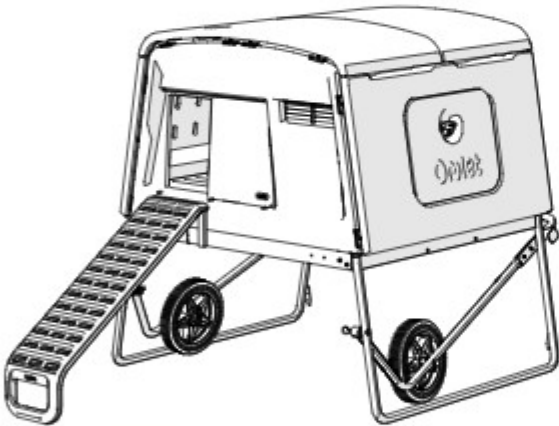
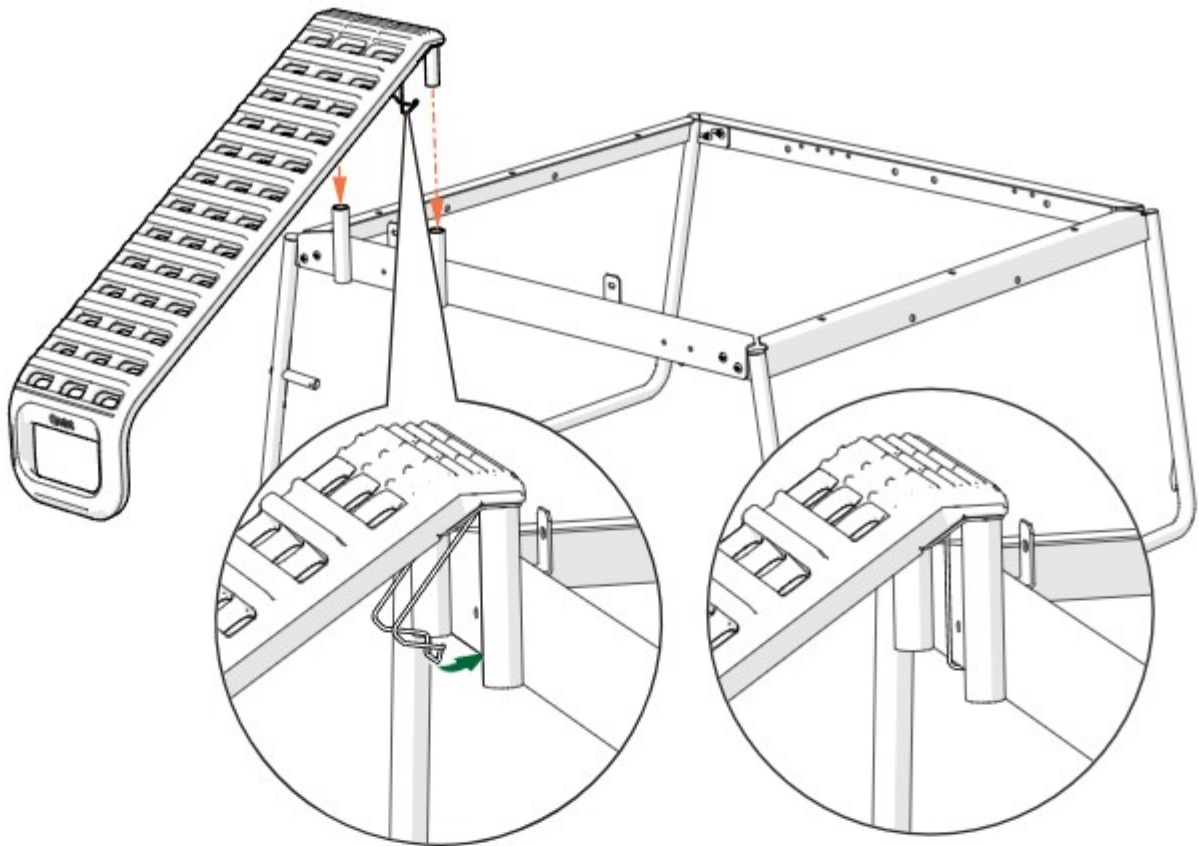
3

Box C

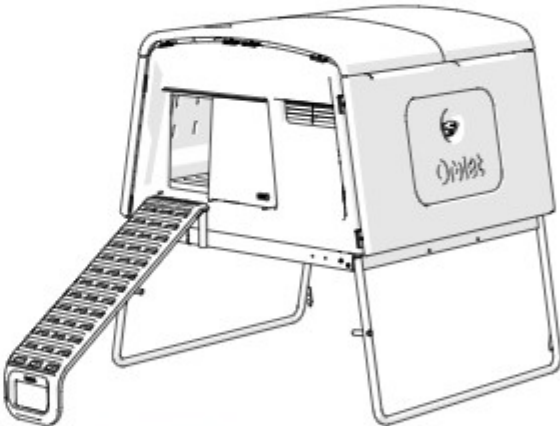
Fixings Pack
(Box C)



4



Wheels:



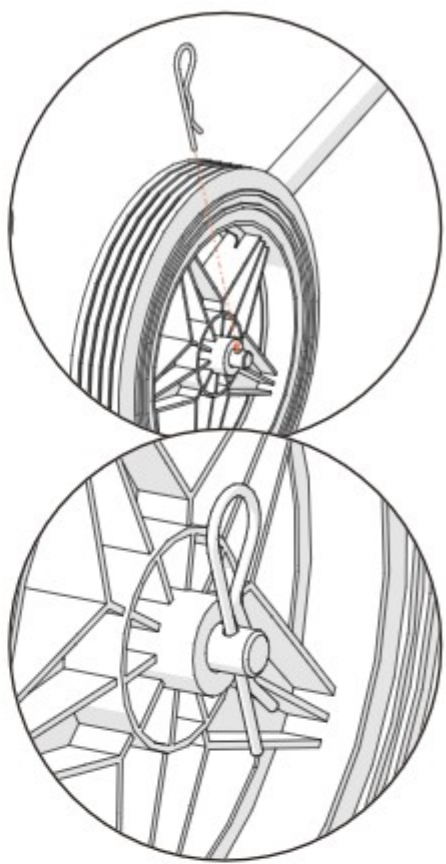
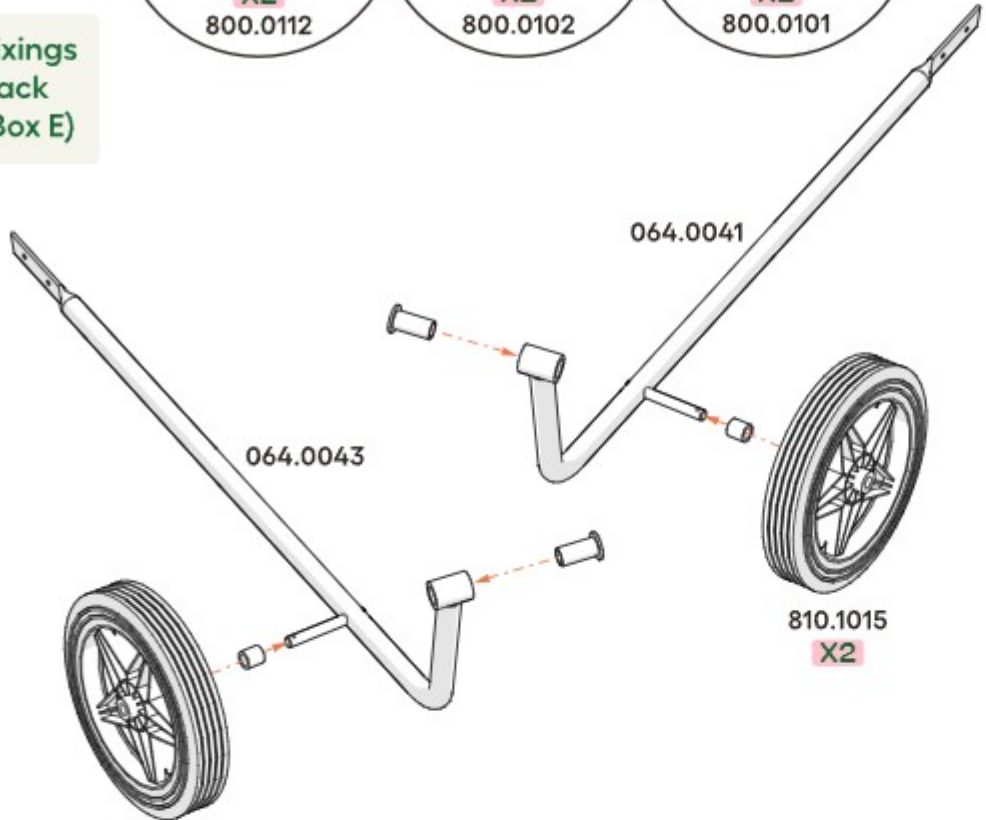
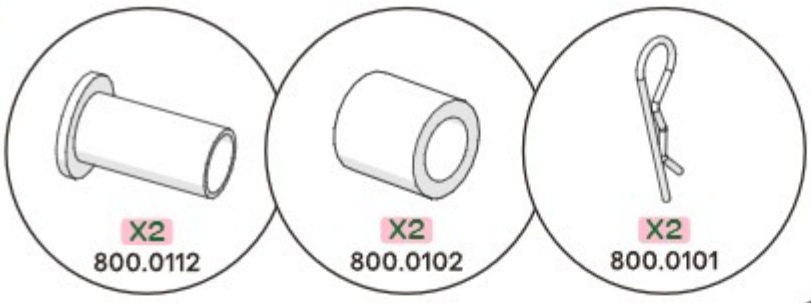
No Wheels:



5

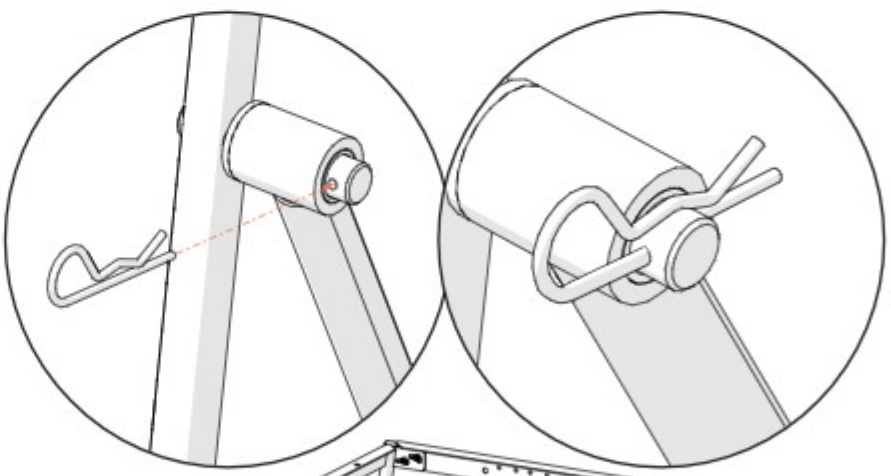
Box E

Fixings Pack (Box E)

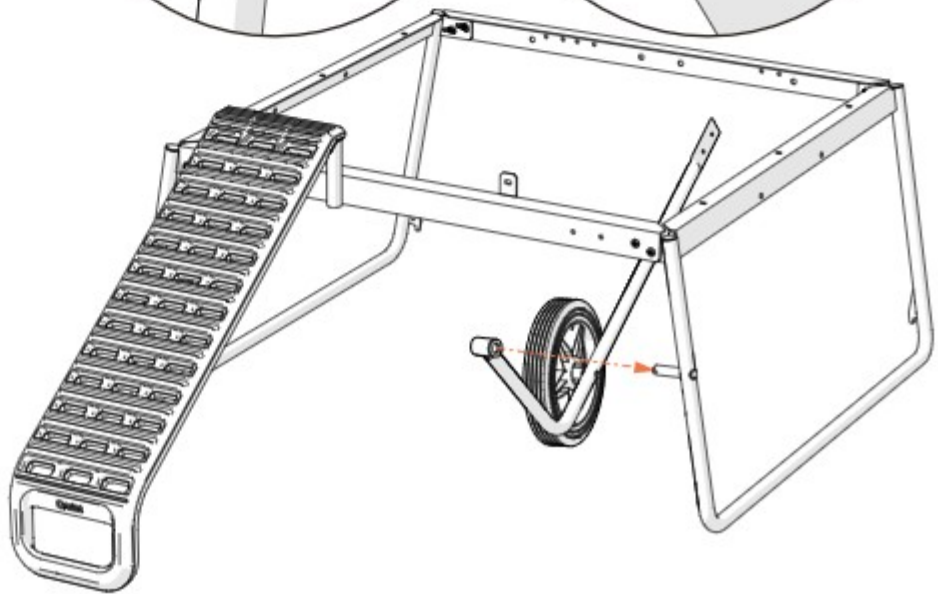


6

Fixings Pack (Box E)

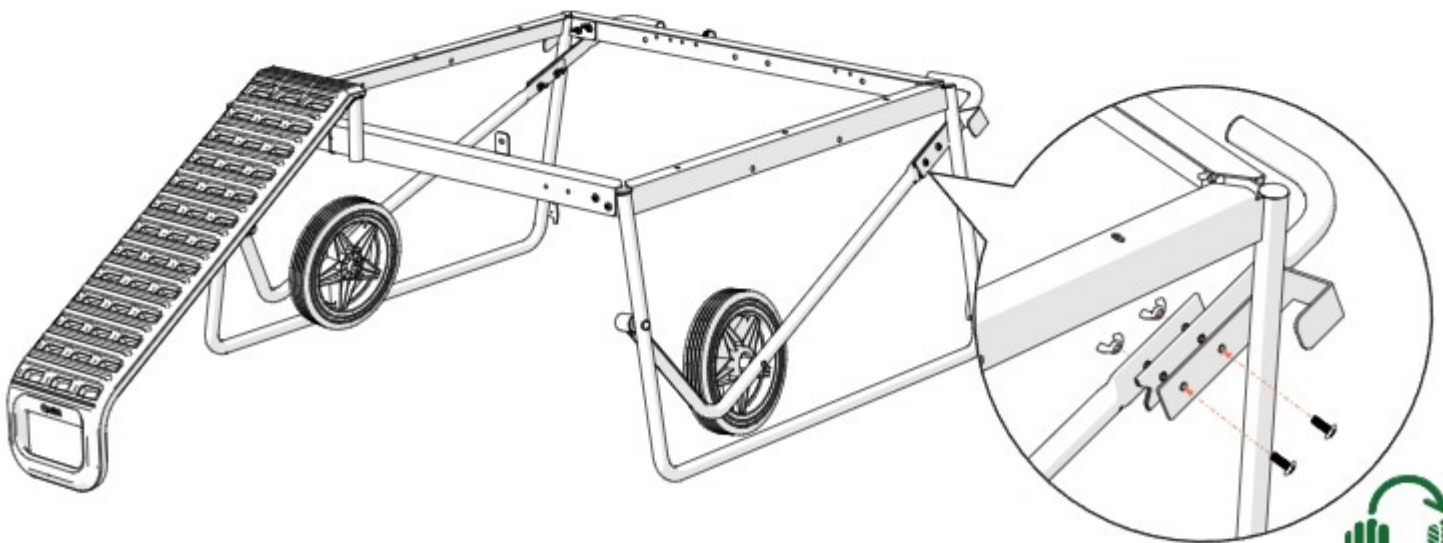
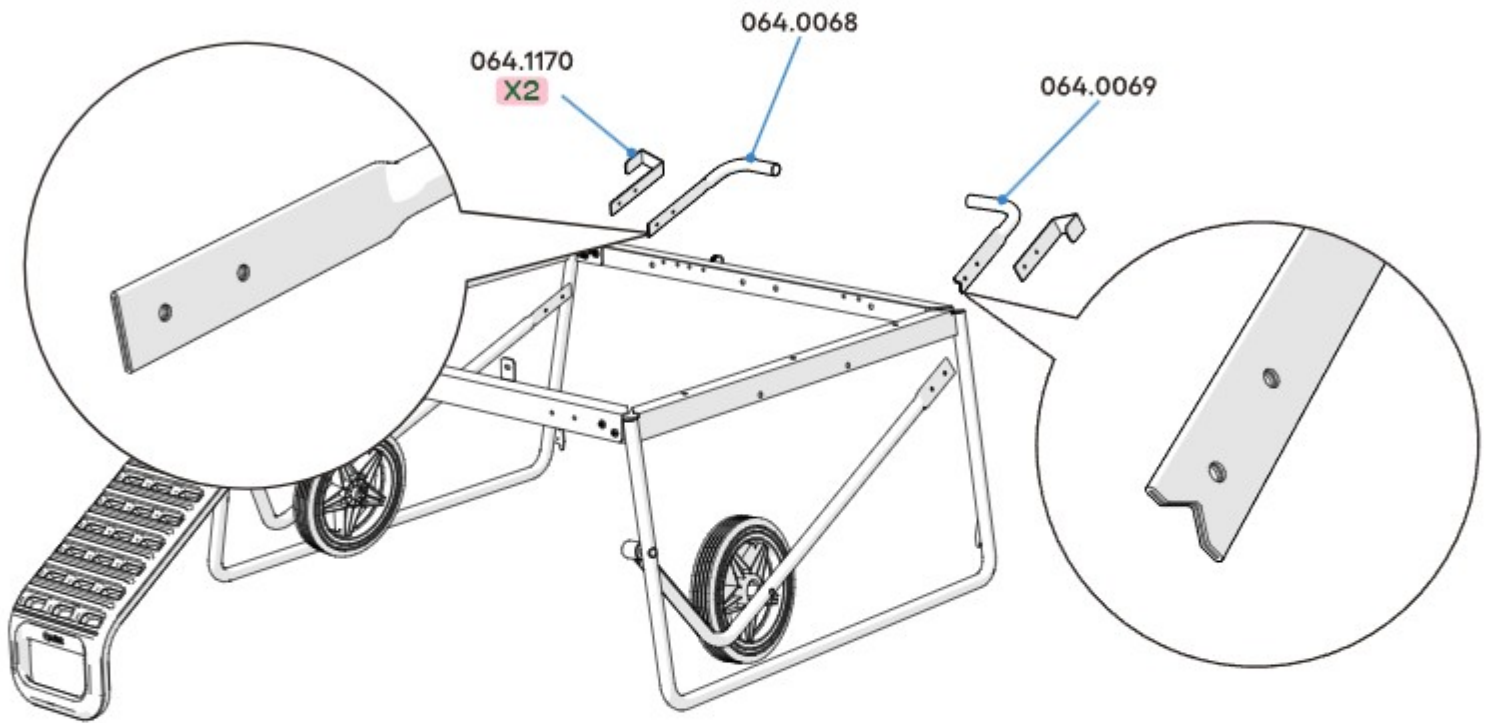


Repeat on other side



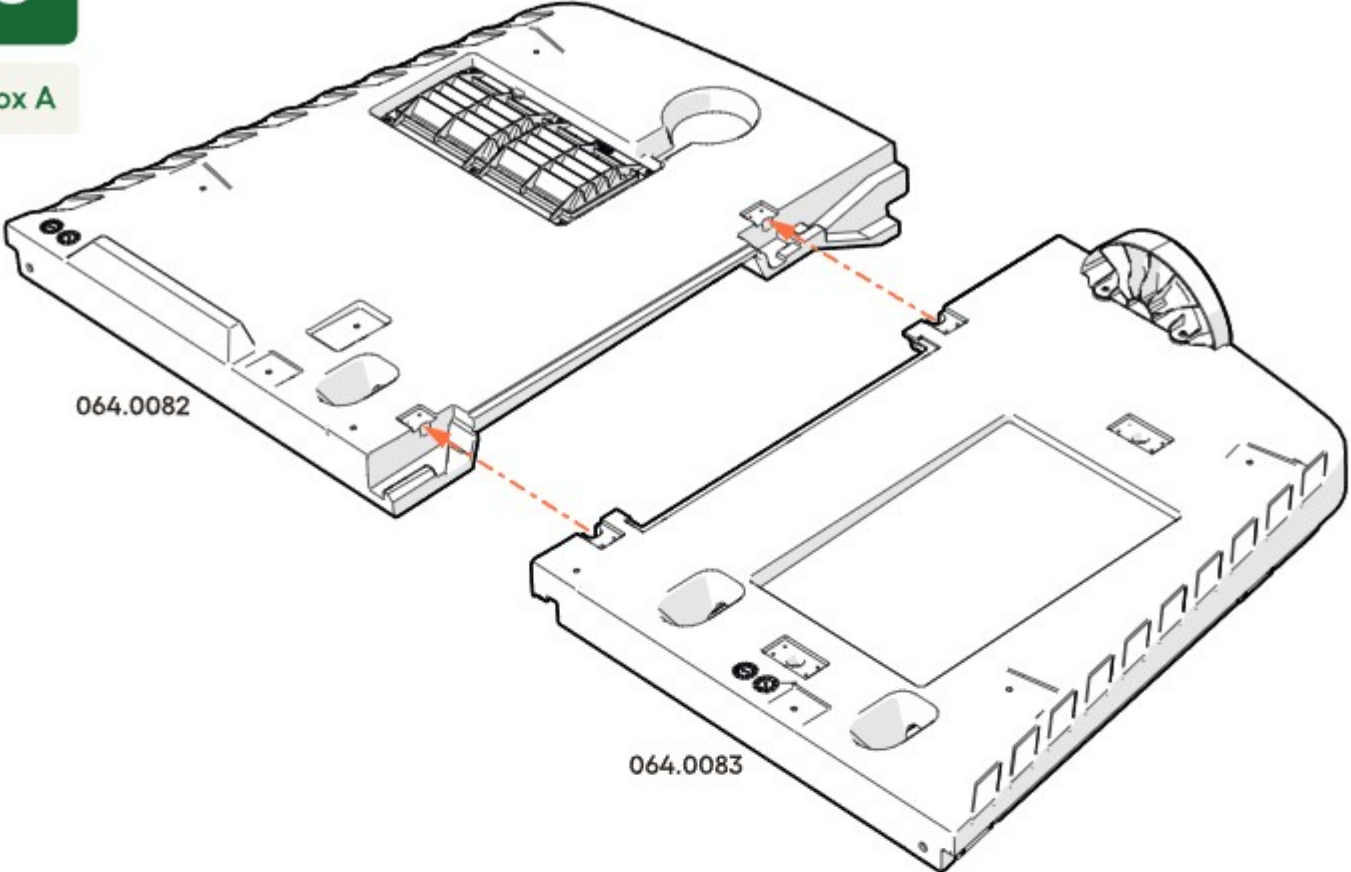


Fixings
Pack
(Box E)



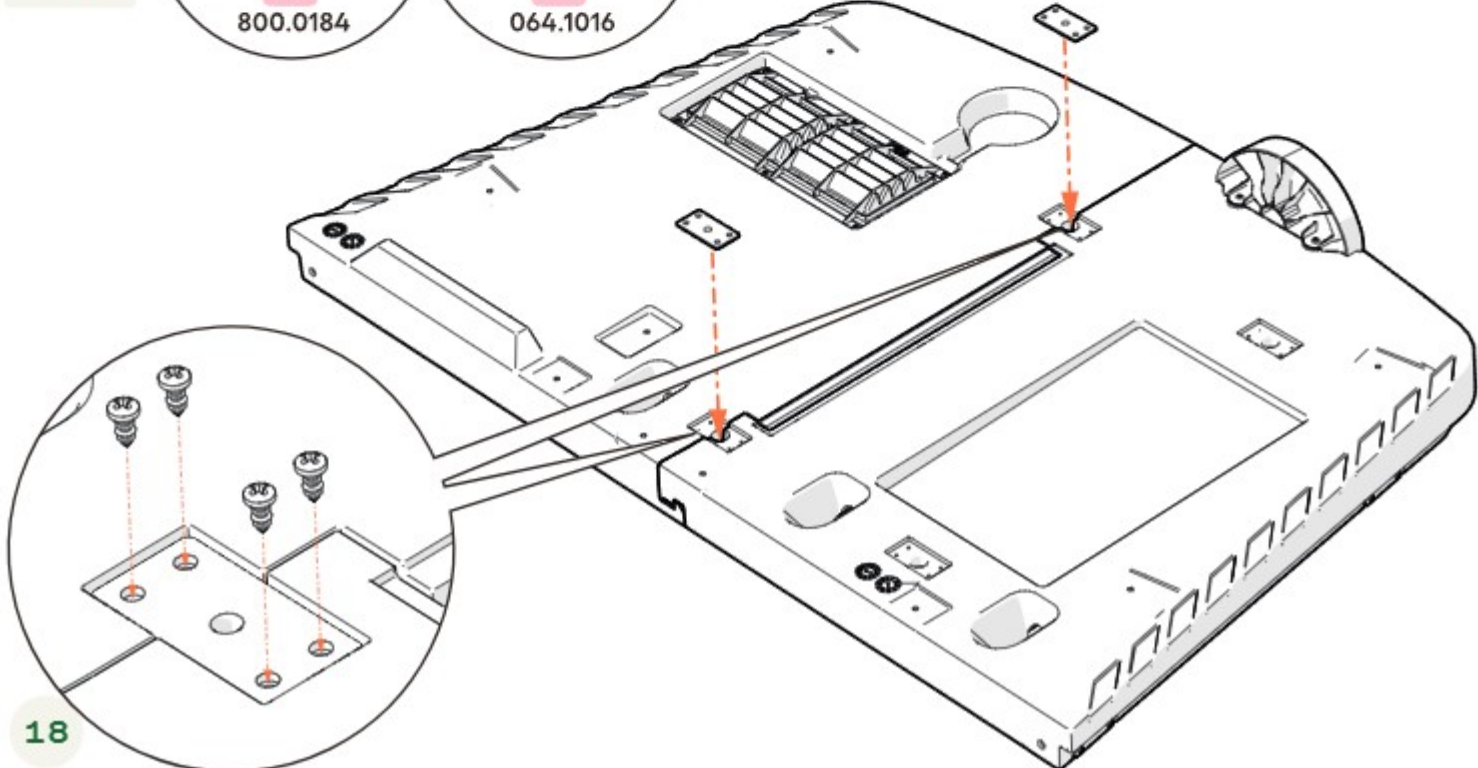
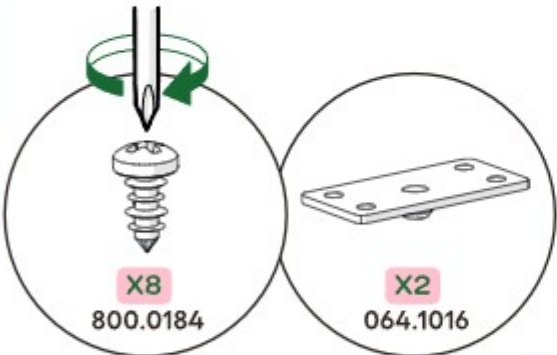
8

Box A



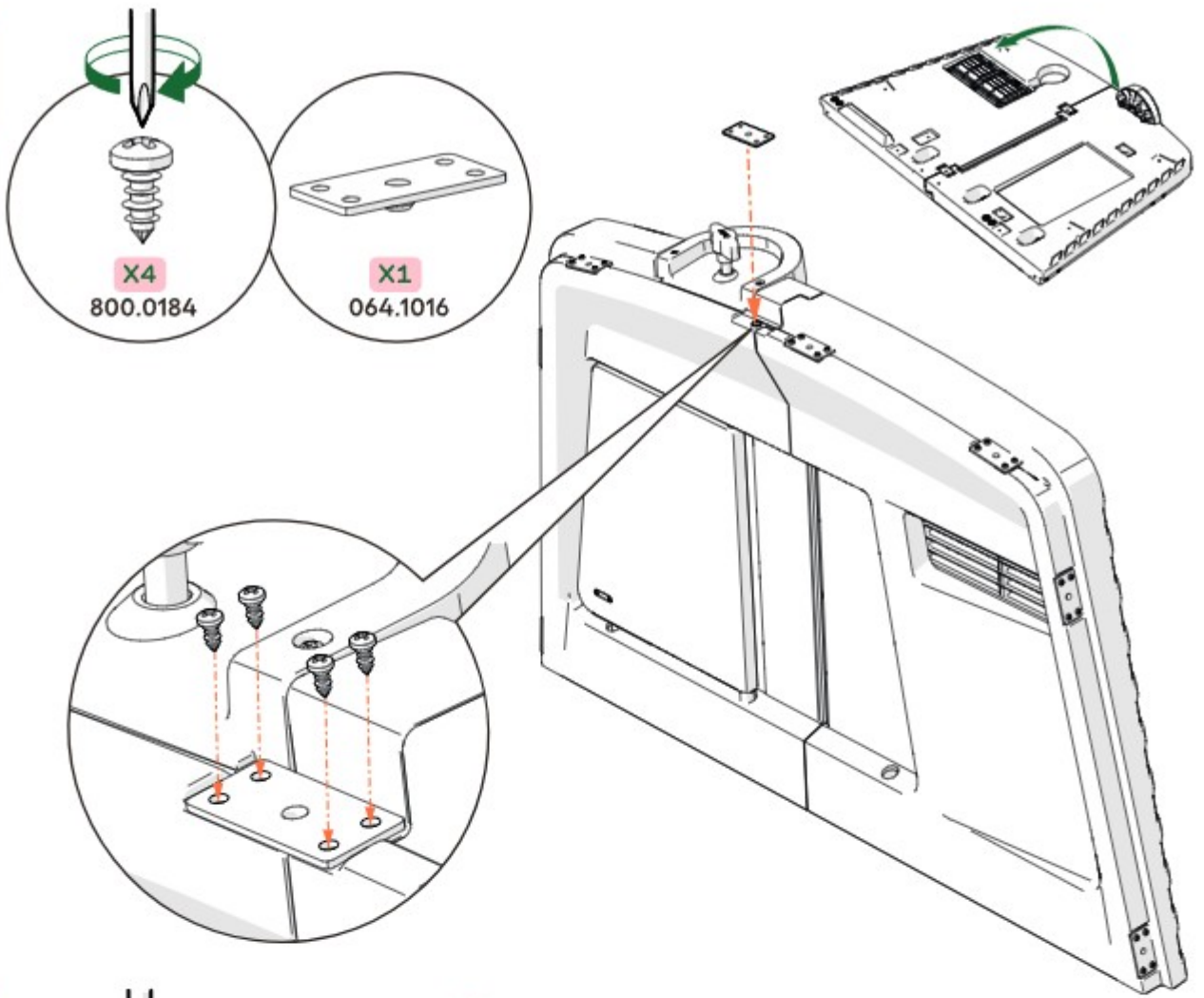
9

Fixings Pack (Box A)



10

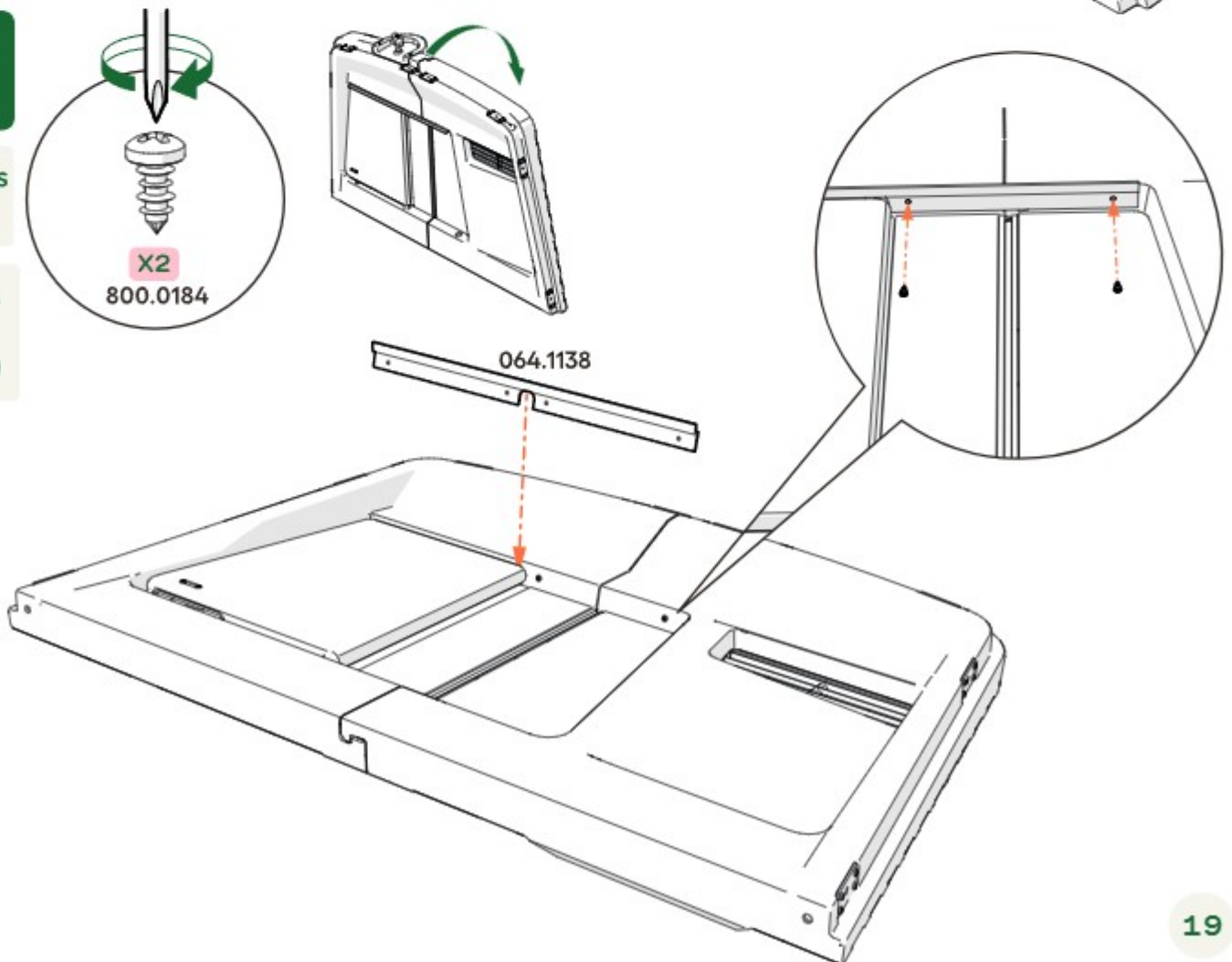
Fixings
Pack
(Box A)



11

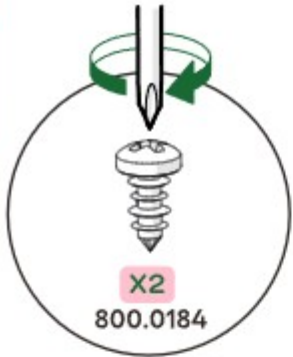
Runners
Box A

Fixings
Pack
(Box A)



12

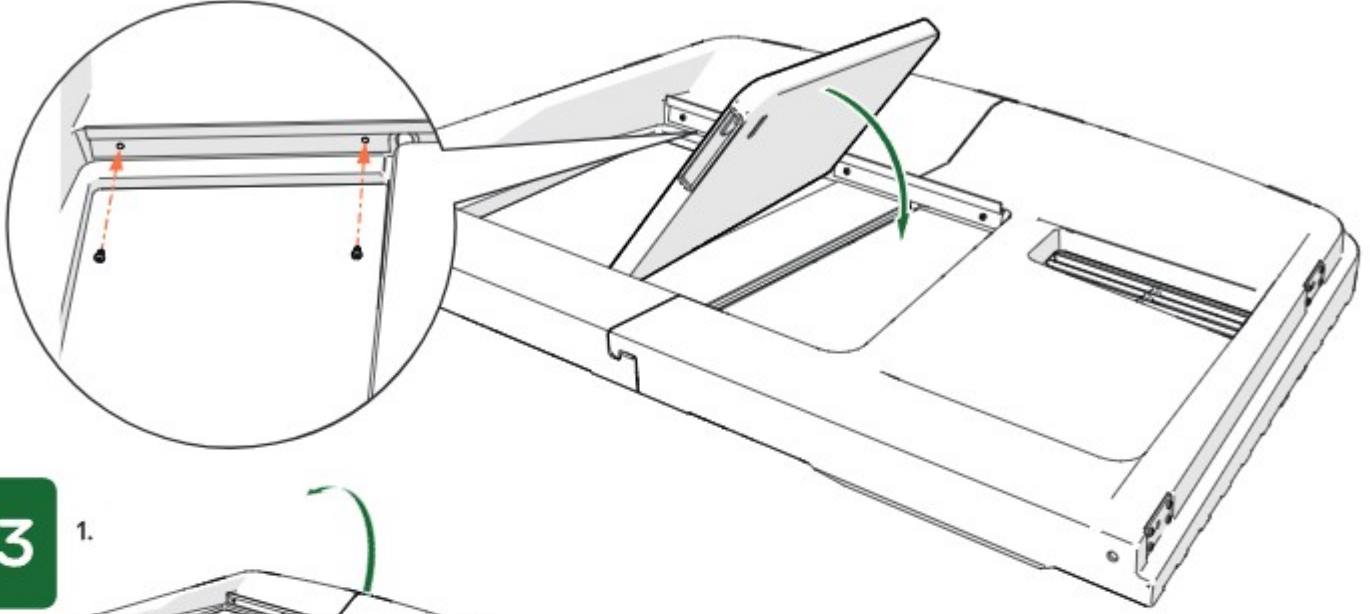
Fixings Pack (Box A)



Door Instructions



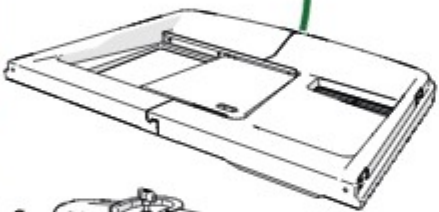
40



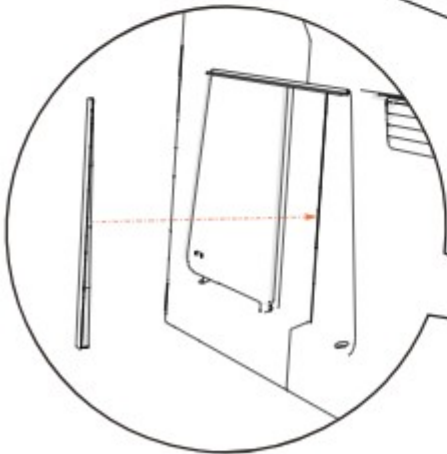
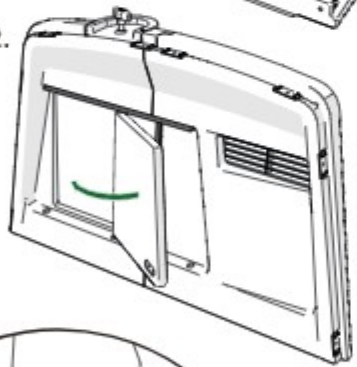
13

Runners Box A

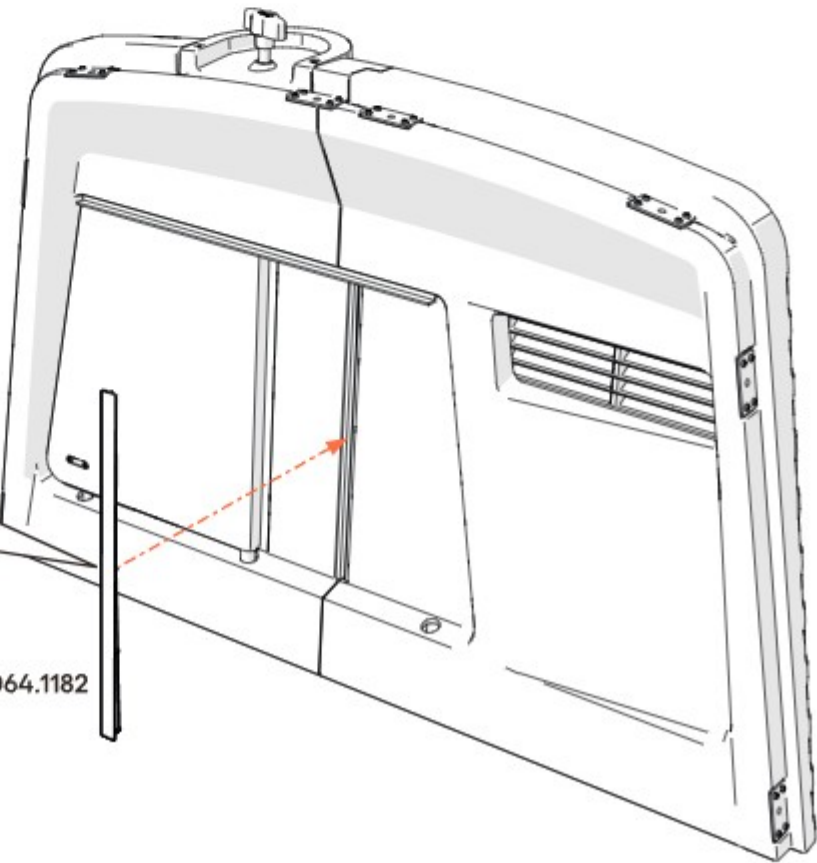
1.



2.



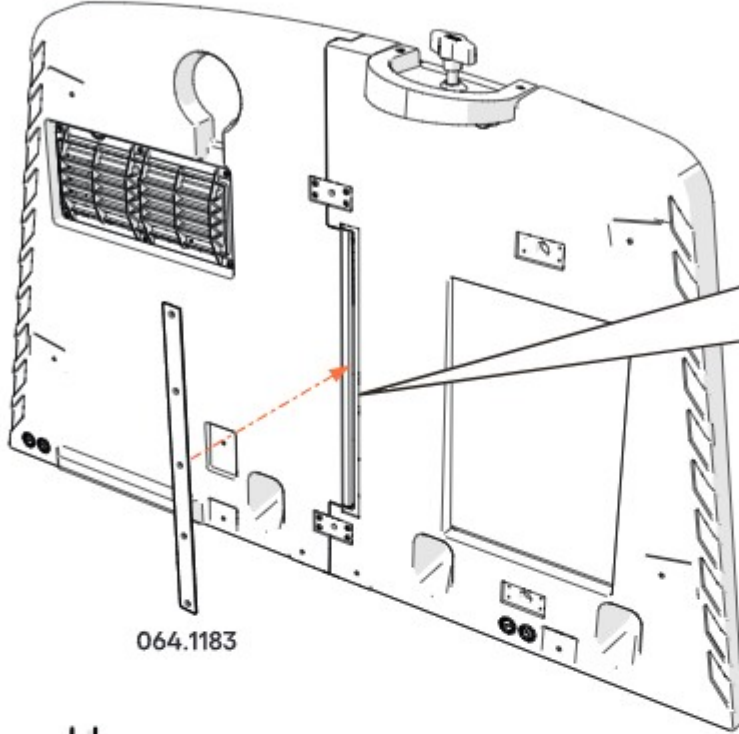
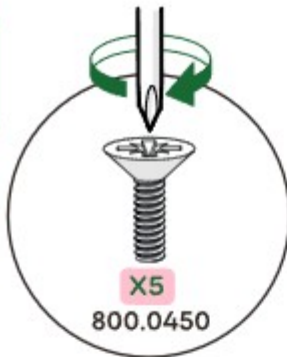
064.1182



14

Runners
Box A

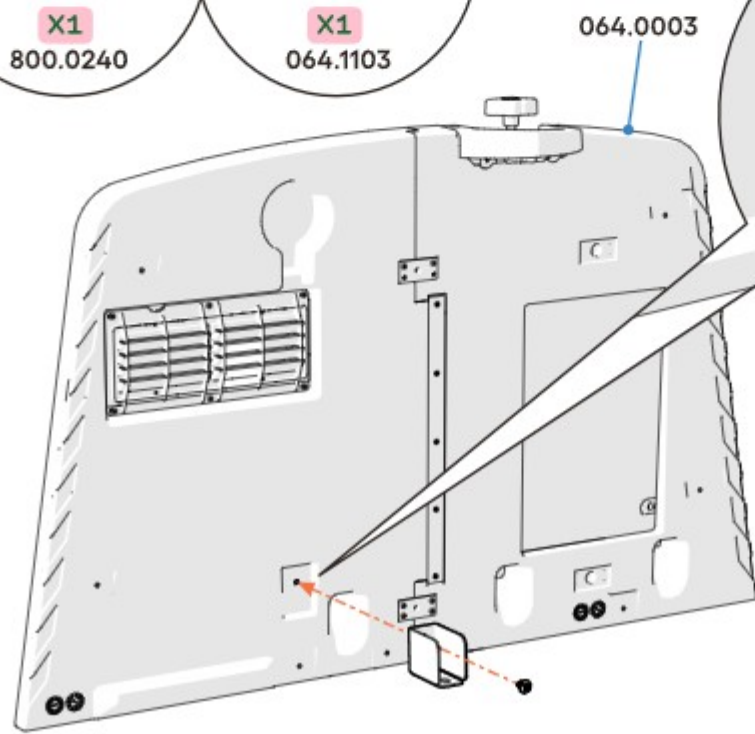
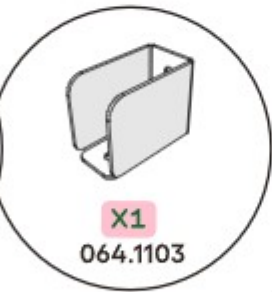
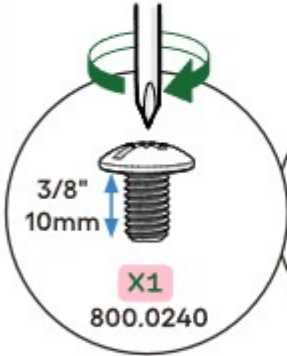
Fixings
Pack
(Box A)



064.1183

15

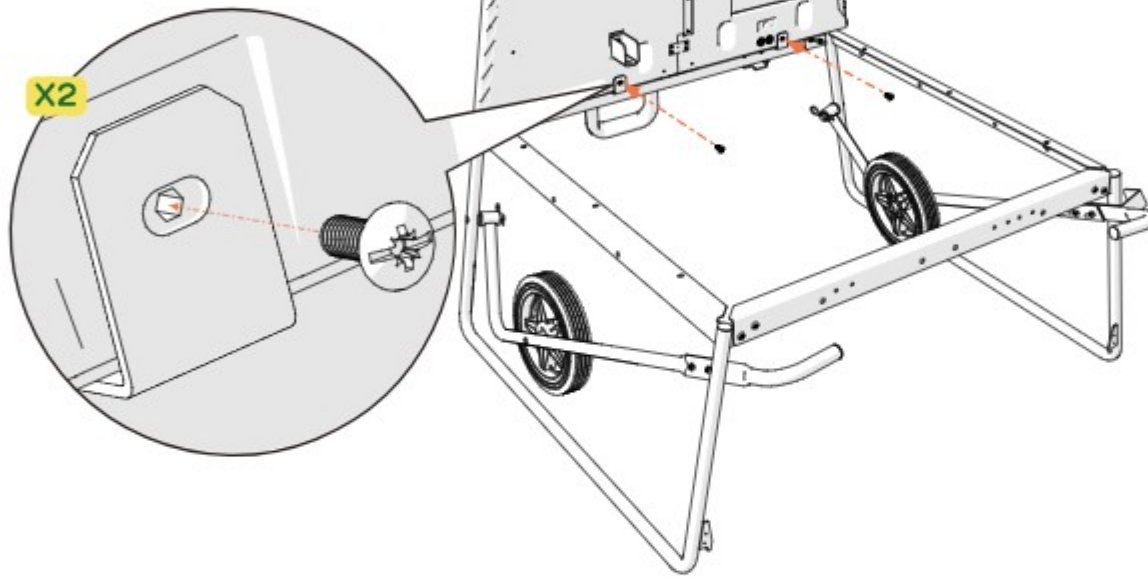
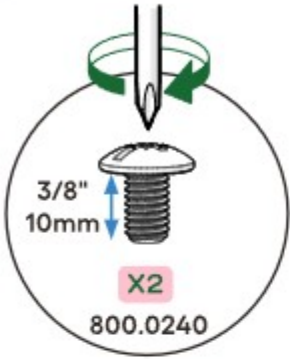
Fixings
Pack
(Box A)



064.0003



Fixings
Pack
(Box A)



If assembling a Run or a Walk In Run connection kit, please refer to those manuals now.

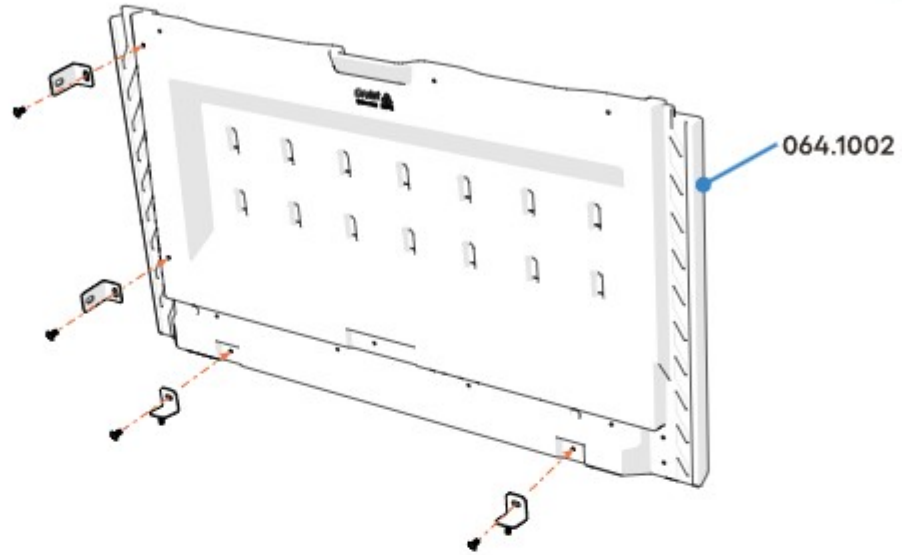
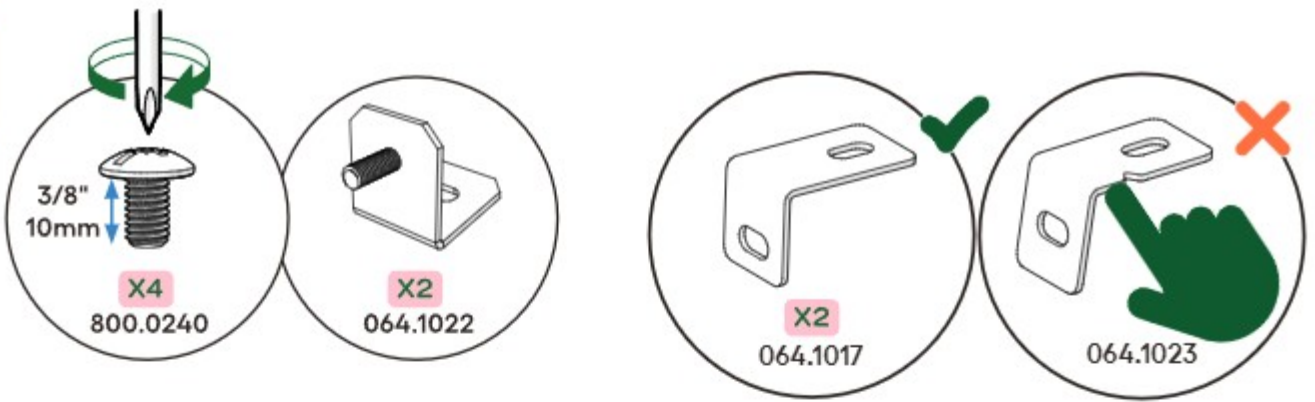


17

Box B

Fixings Pack
(Box A)

Fixings Pack
(Box C)

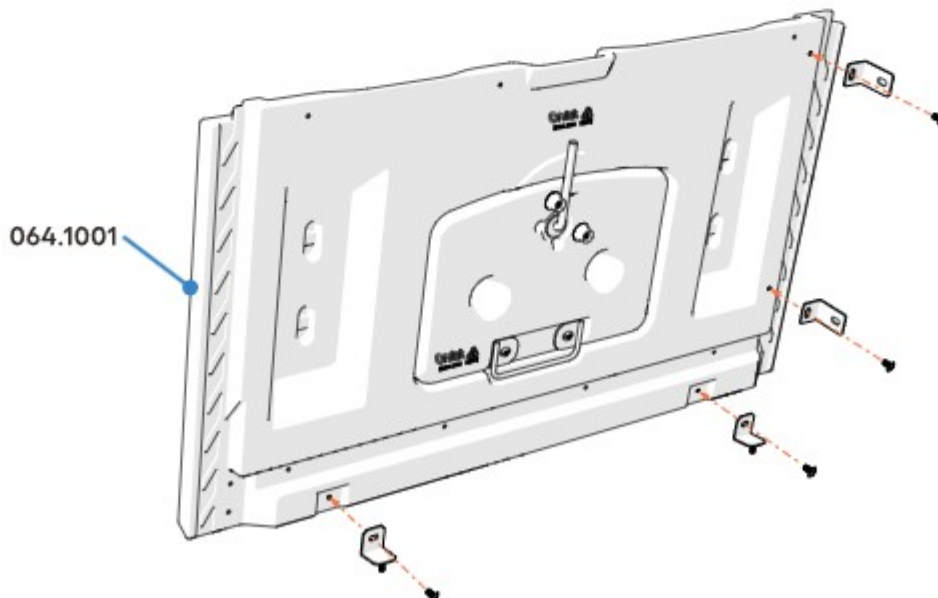
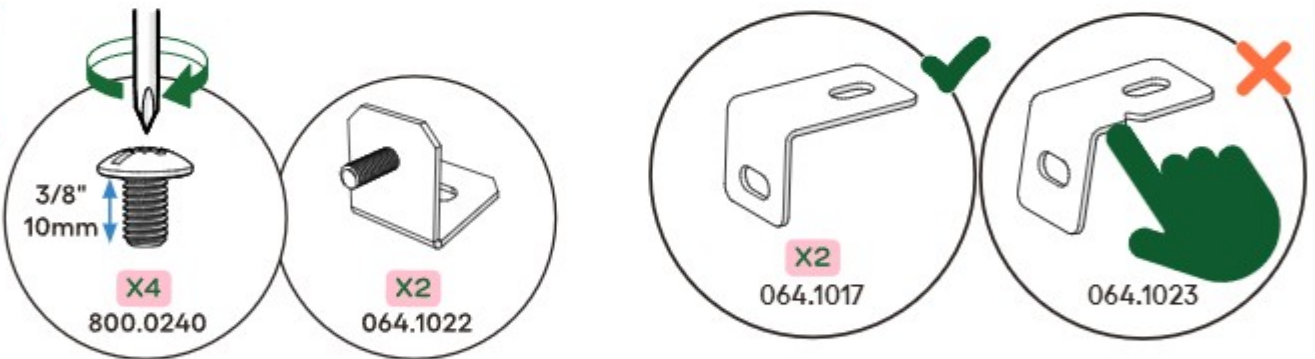


18

Box B

Fixings Pack
(Box A)

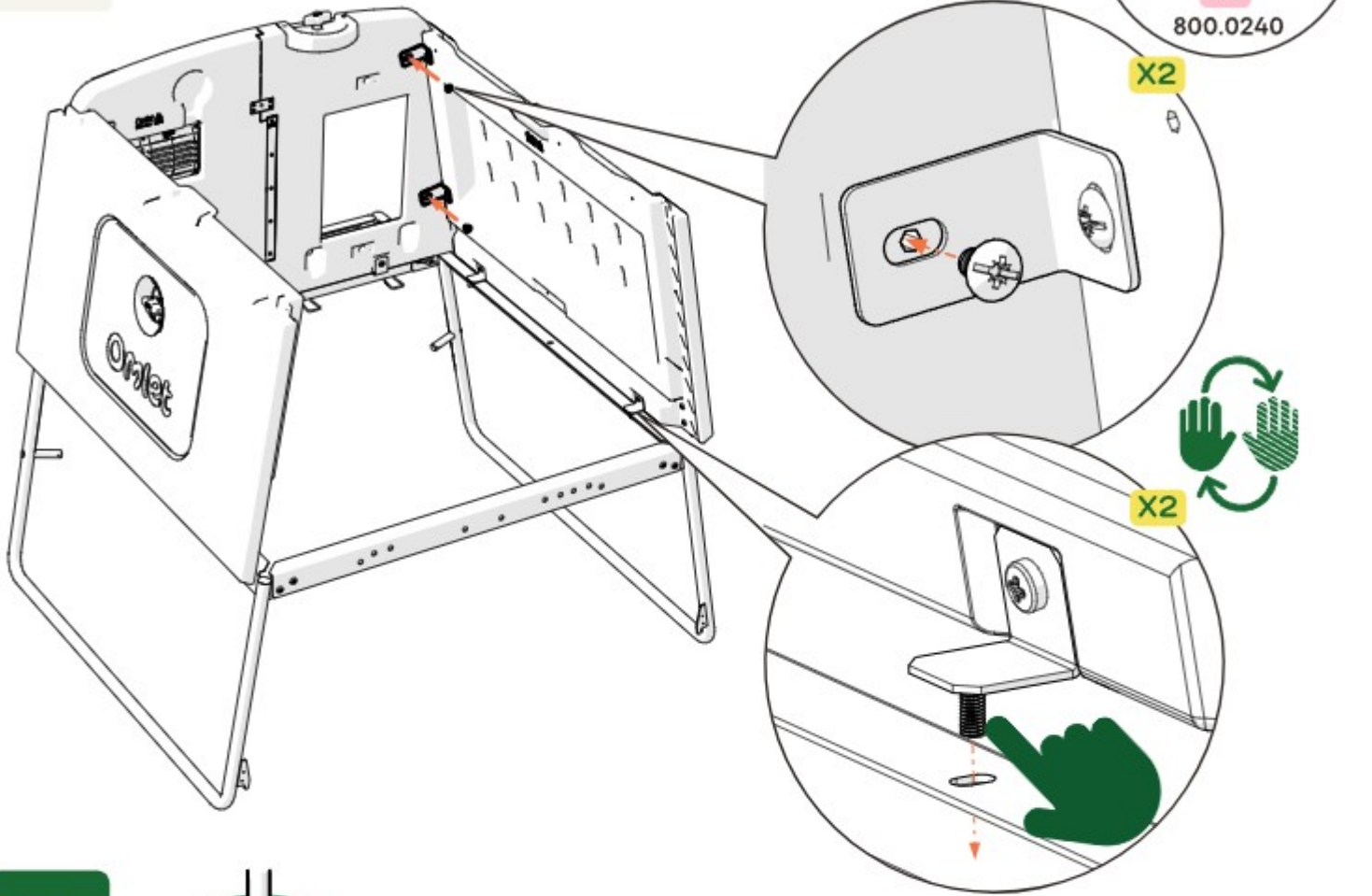
Fixings Pack
(Box C)



19

Run and wheels not shown for clarity.

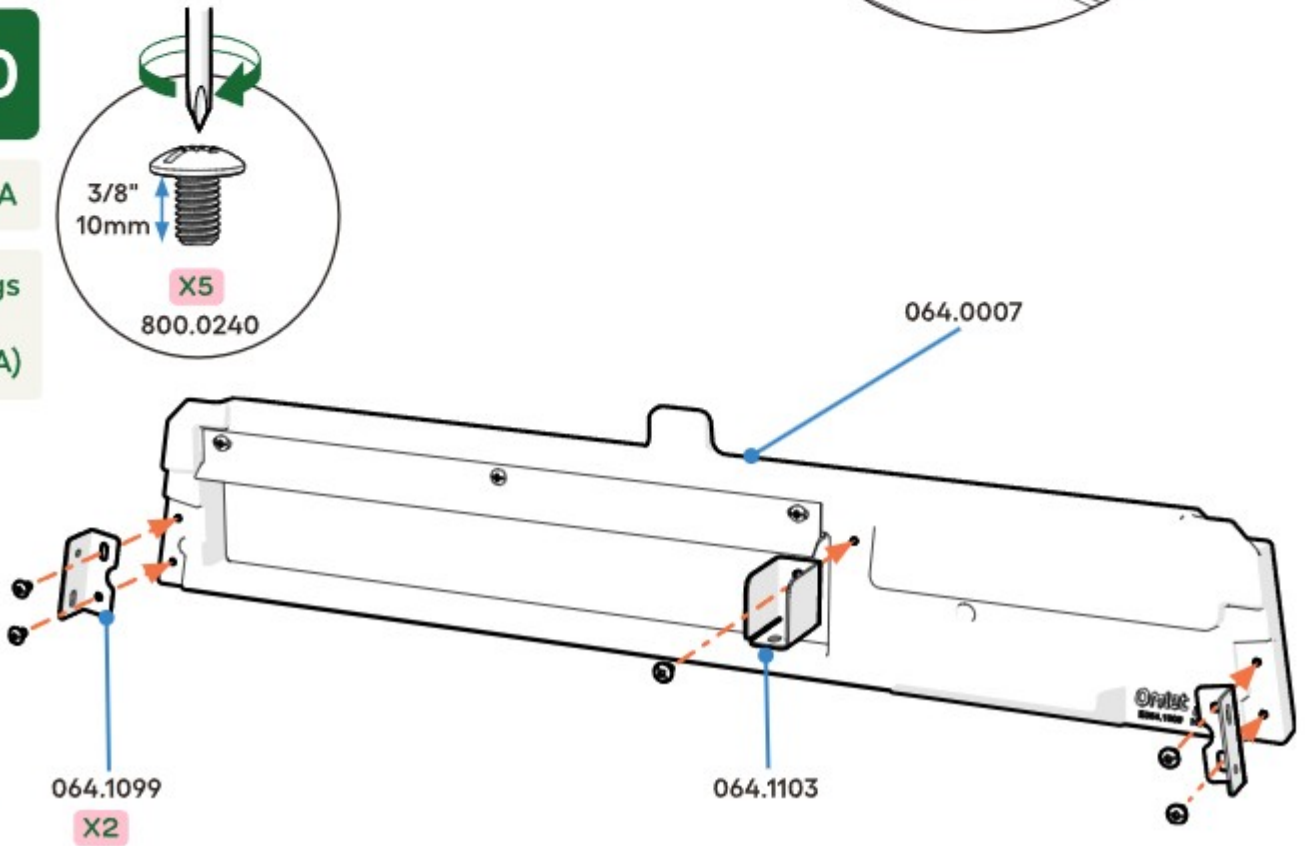
Fixings Pack (Box A)



20

Box A

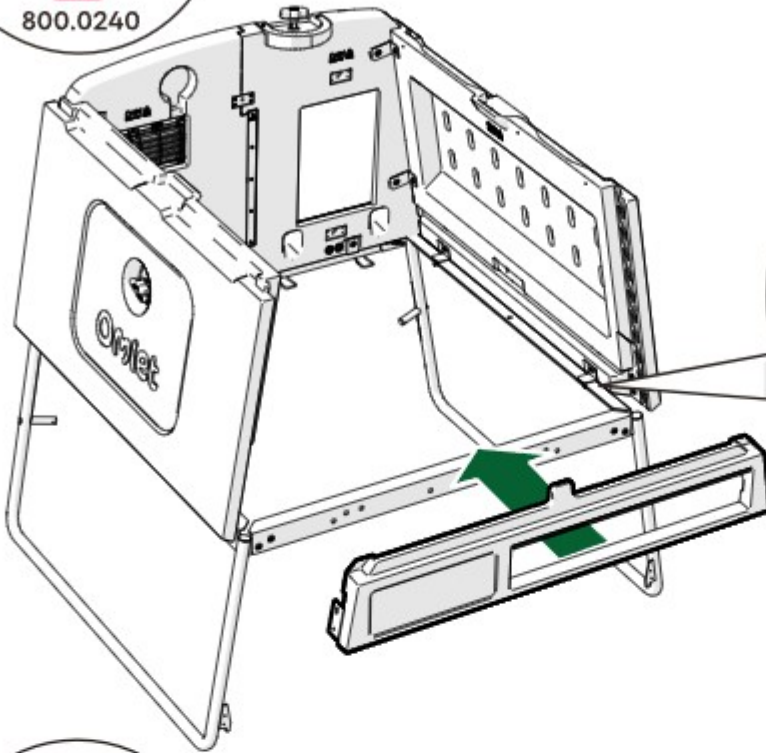
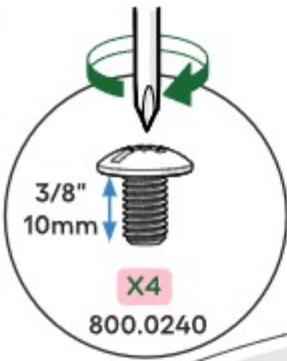
Fixings Pack (Box A)



24

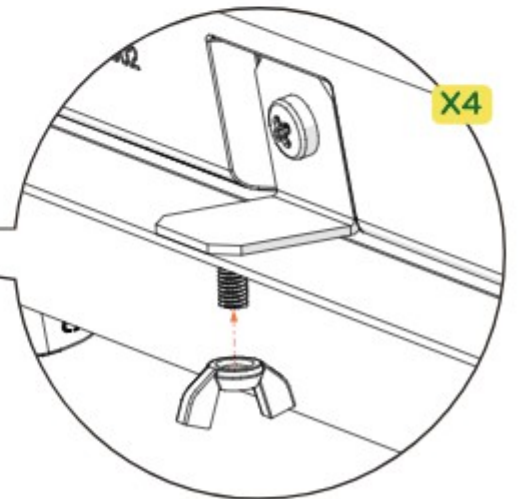
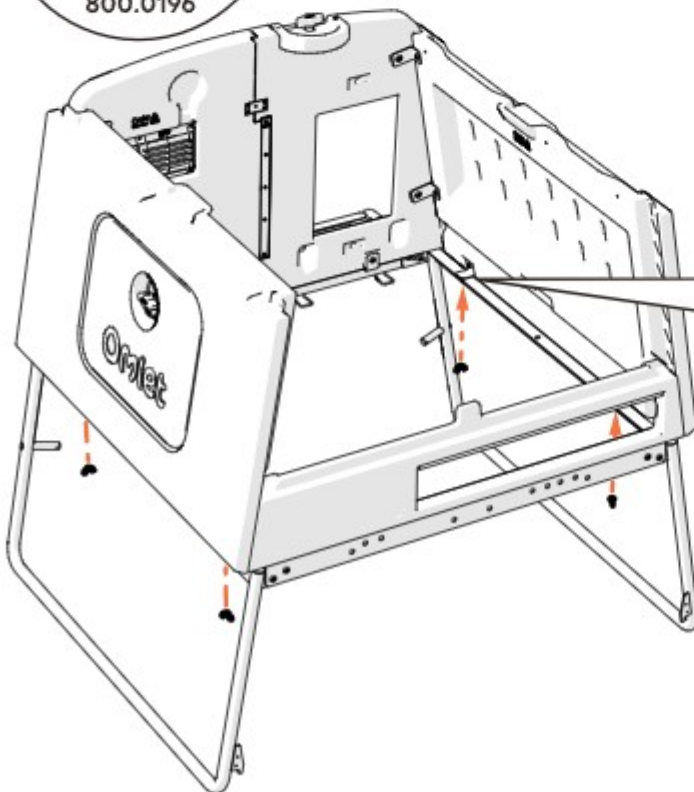
21

Fixings Pack
(Box A)



22

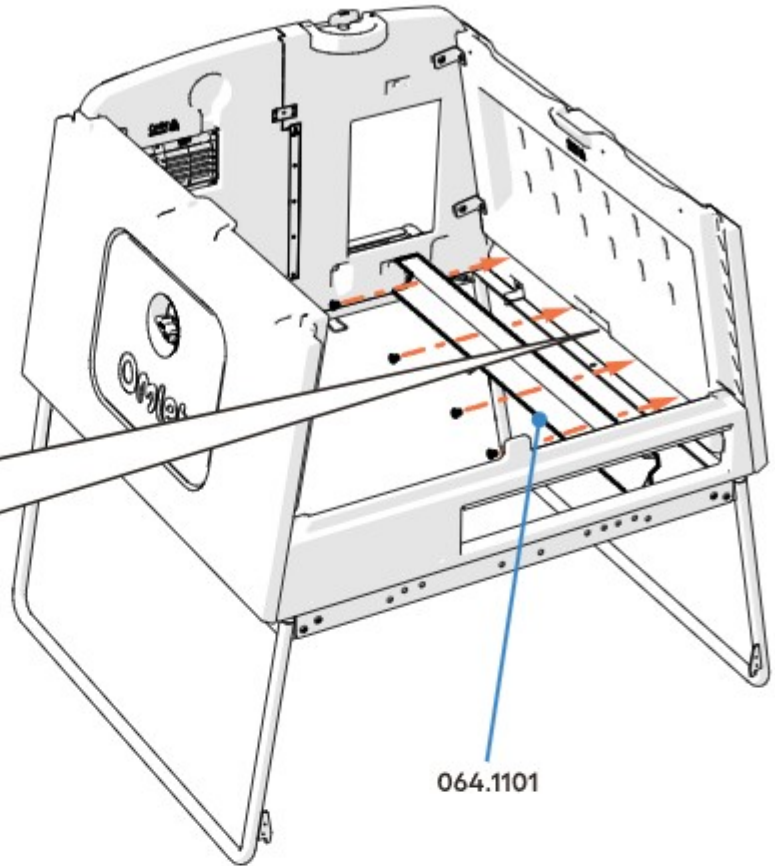
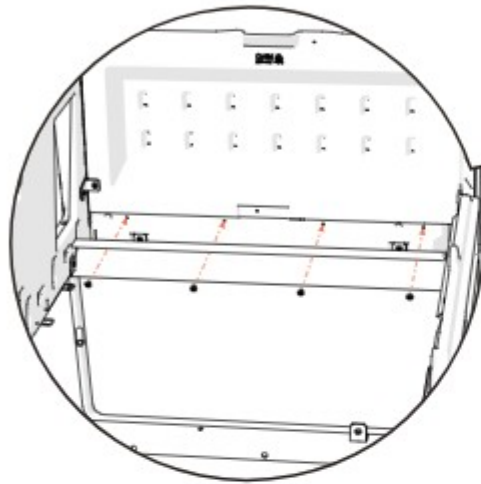
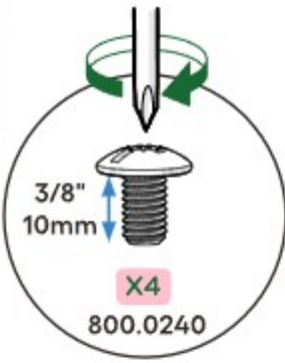
Fixings Pack
(Box C)



23

Runners
Box A

Fixings
Pack
(Box A)

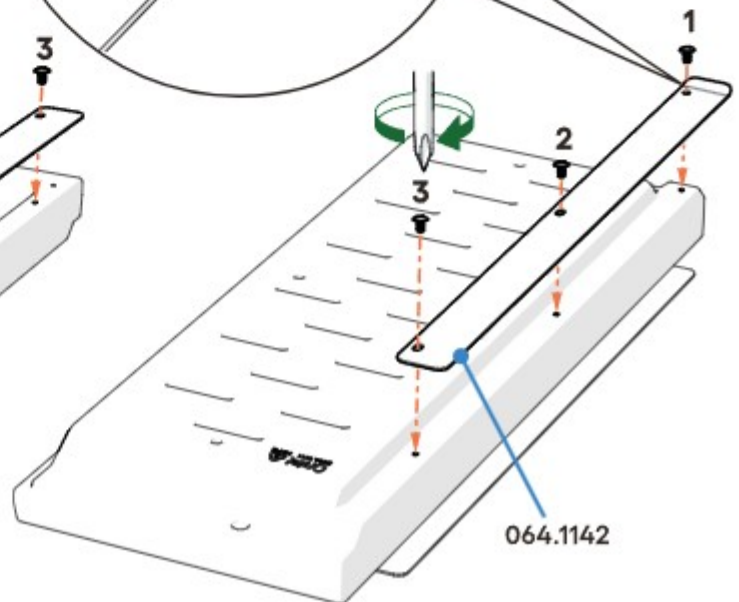
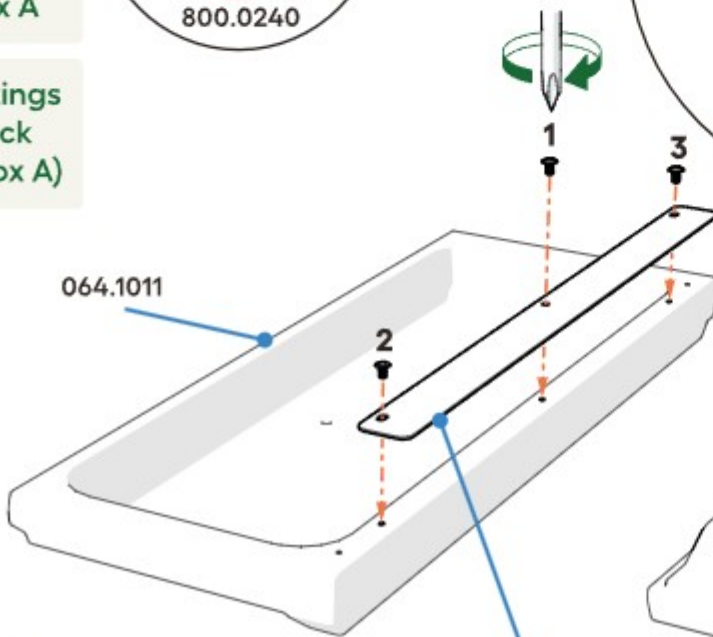
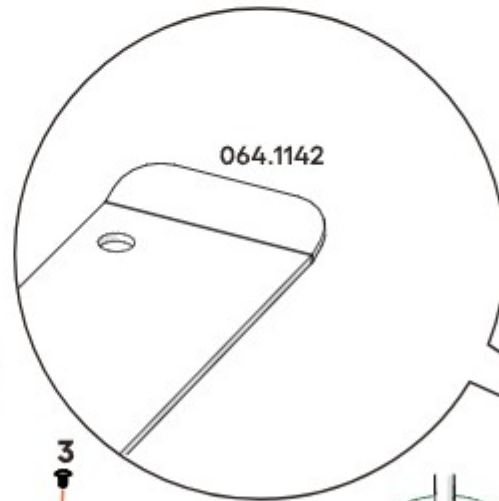
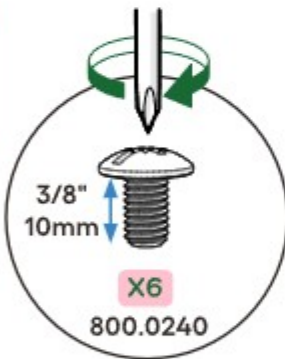


24

Box A

Runners
Box A

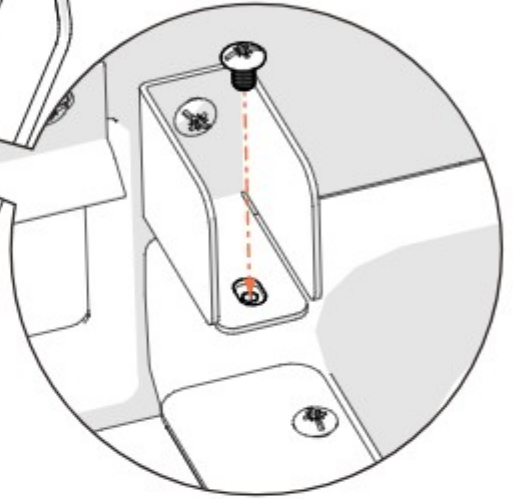
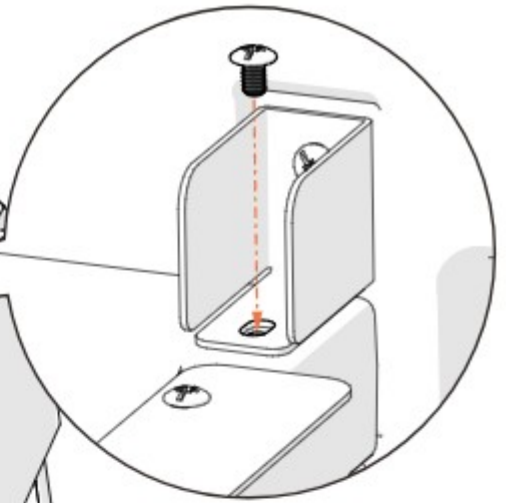
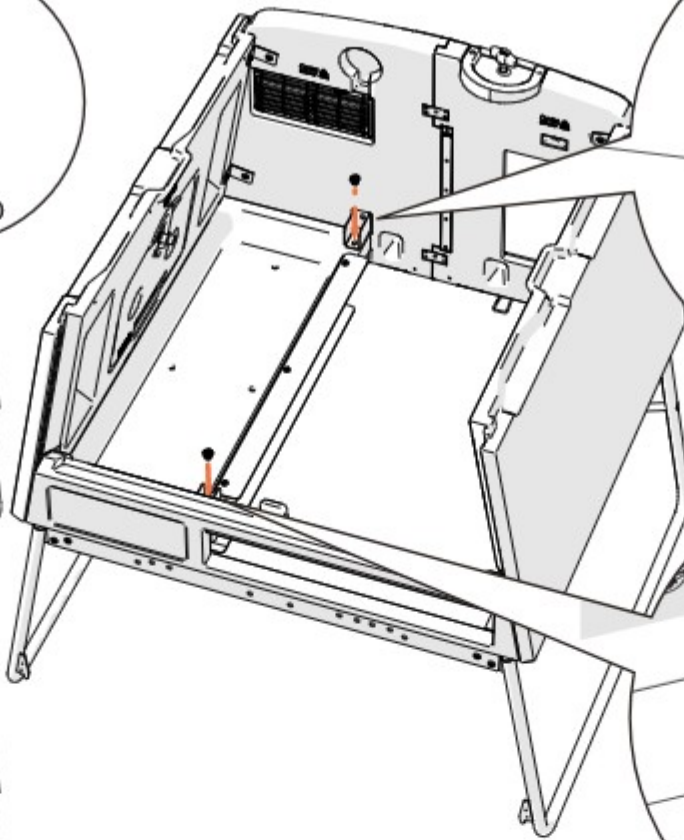
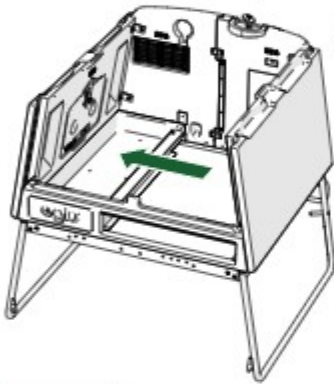
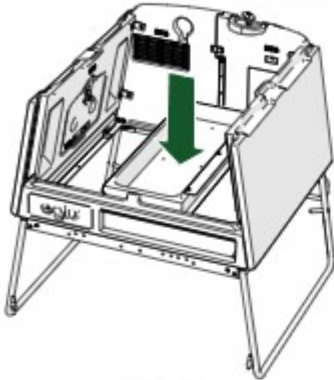
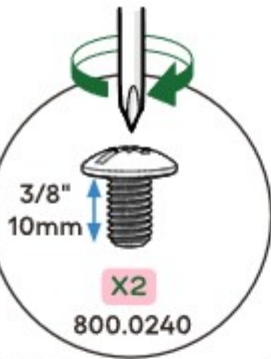
Fixings
Pack
(Box A)



26

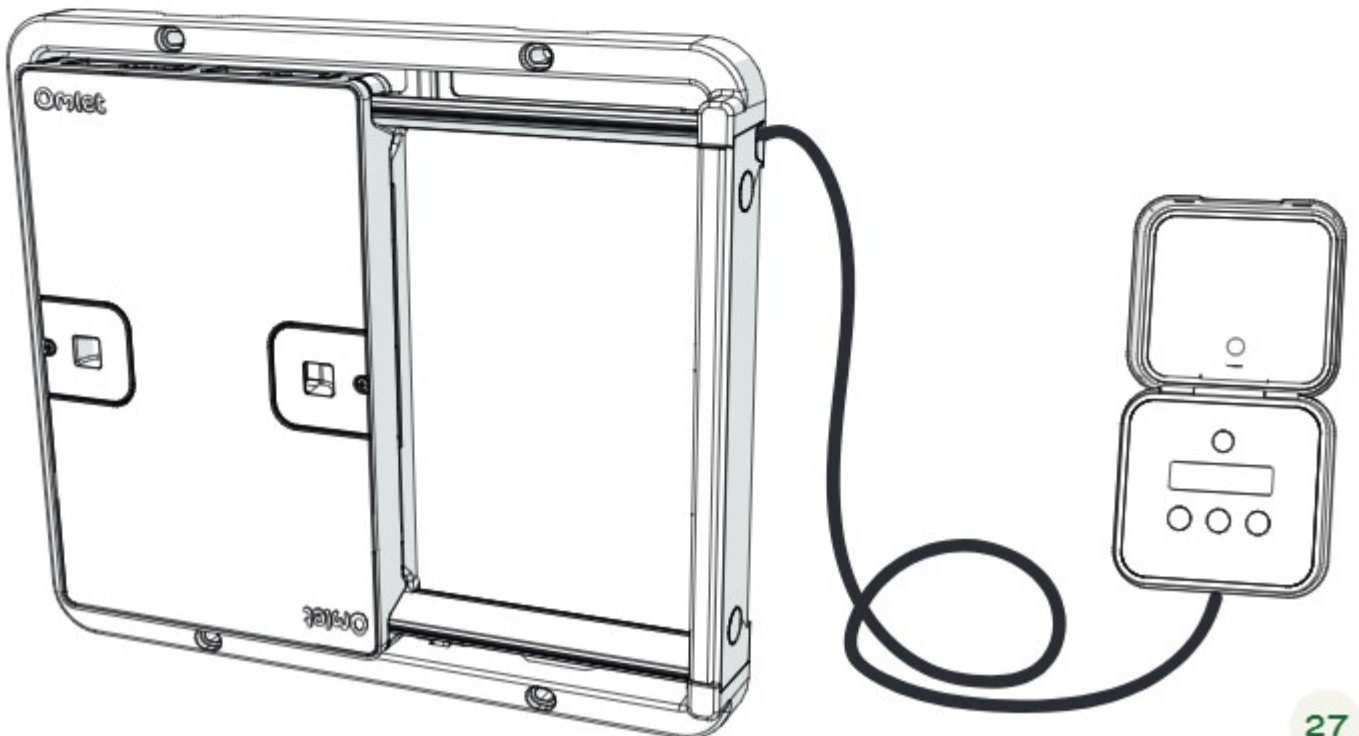
25

Fixings
Pack
(Box A)



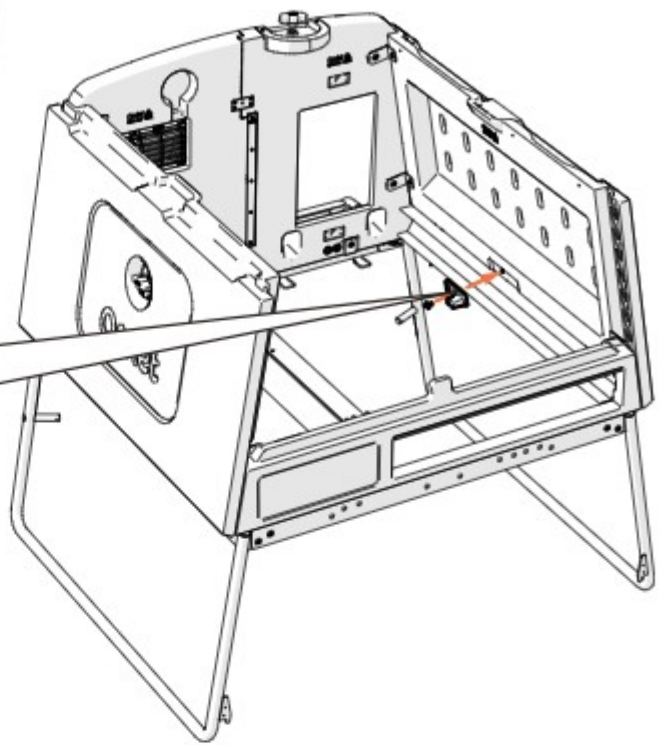
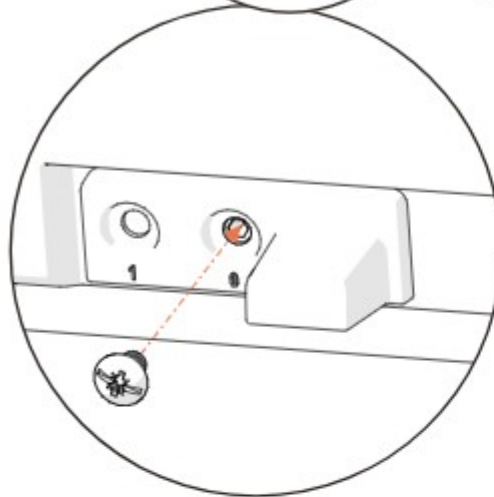
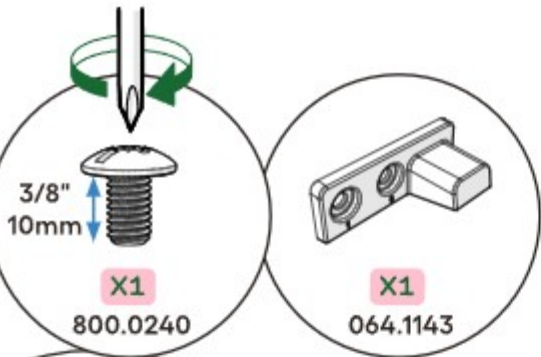
26

If you have an Autodoor, refer to the Autodoor instruction manual to attach it to the coop now. Then return here and continue from step 28. 



27

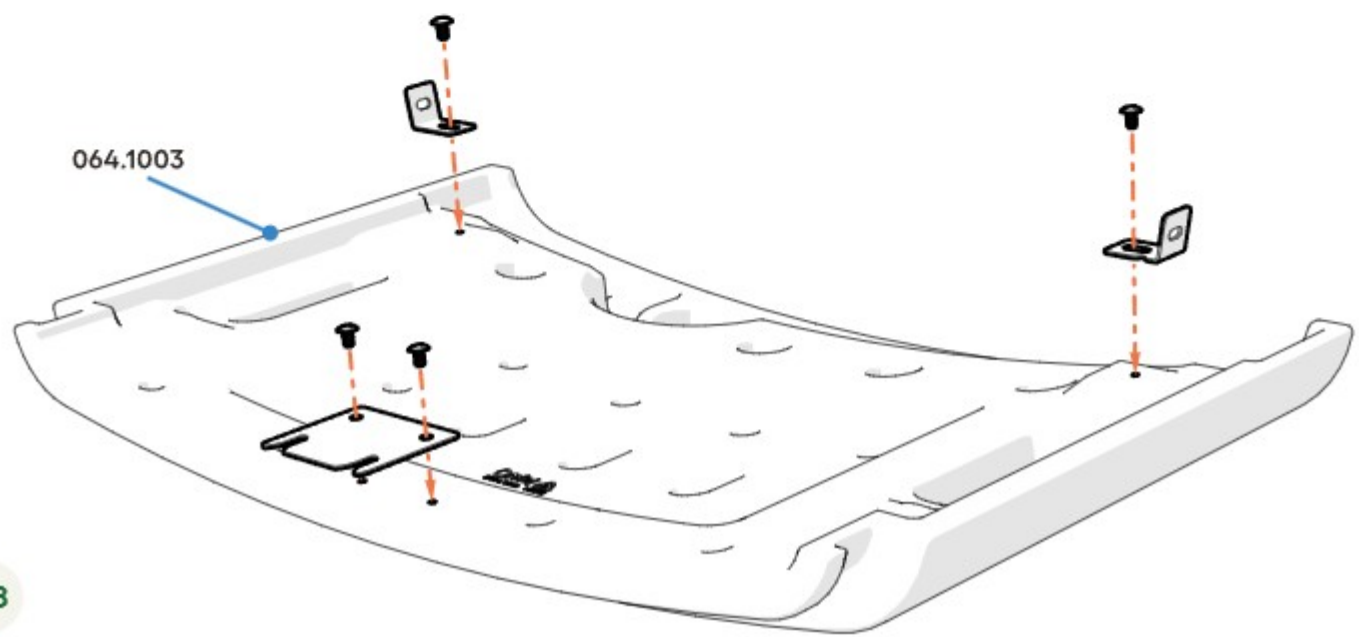
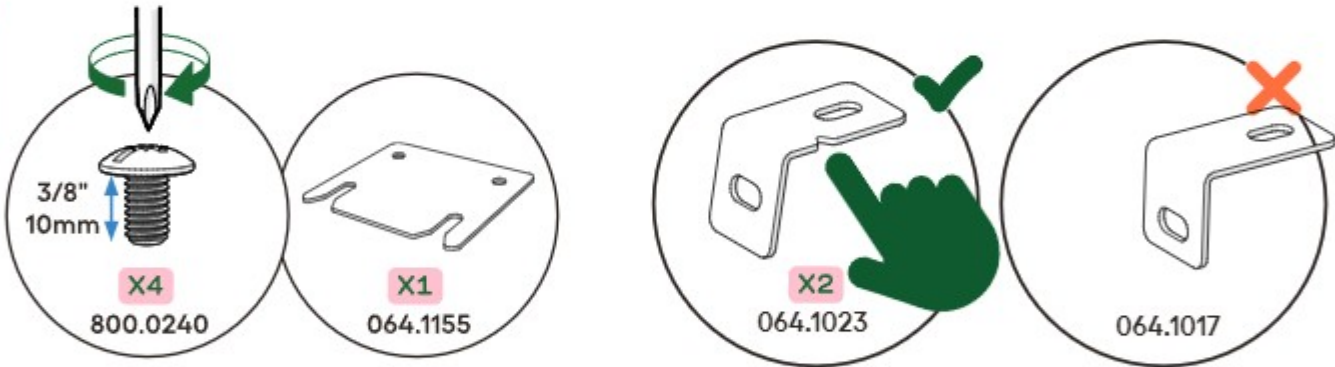
Fixings Pack (Box A)



28

Box B

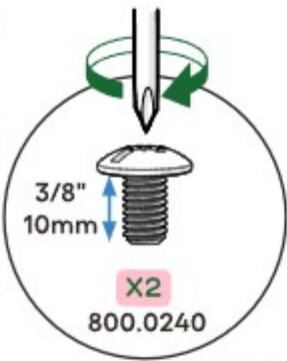
Fixings Pack (Box A)



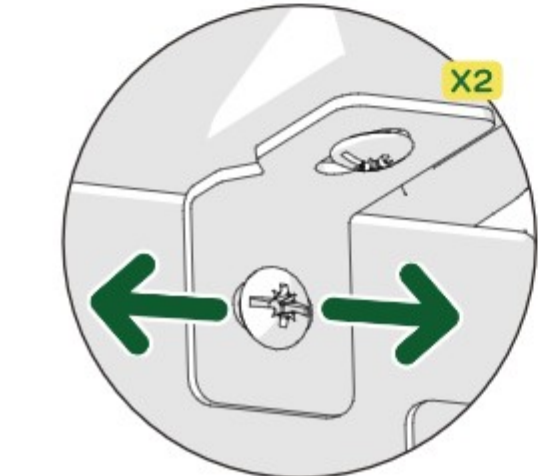
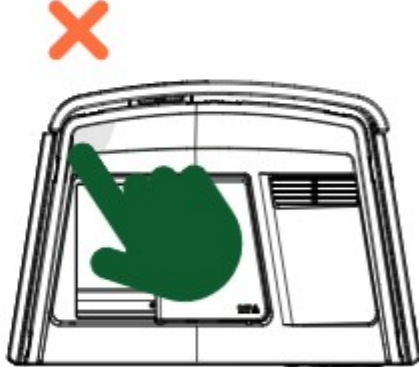
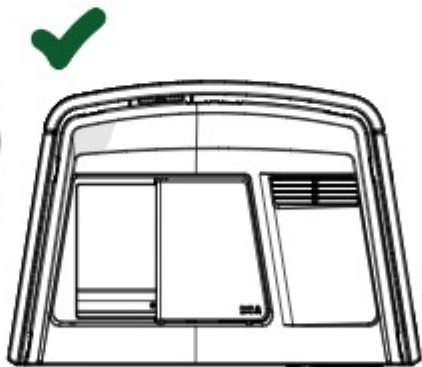
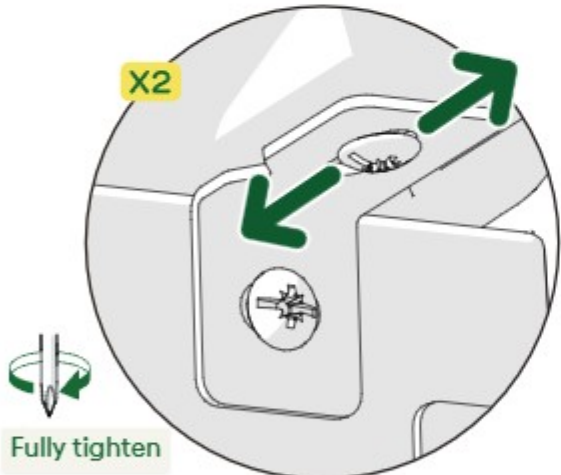
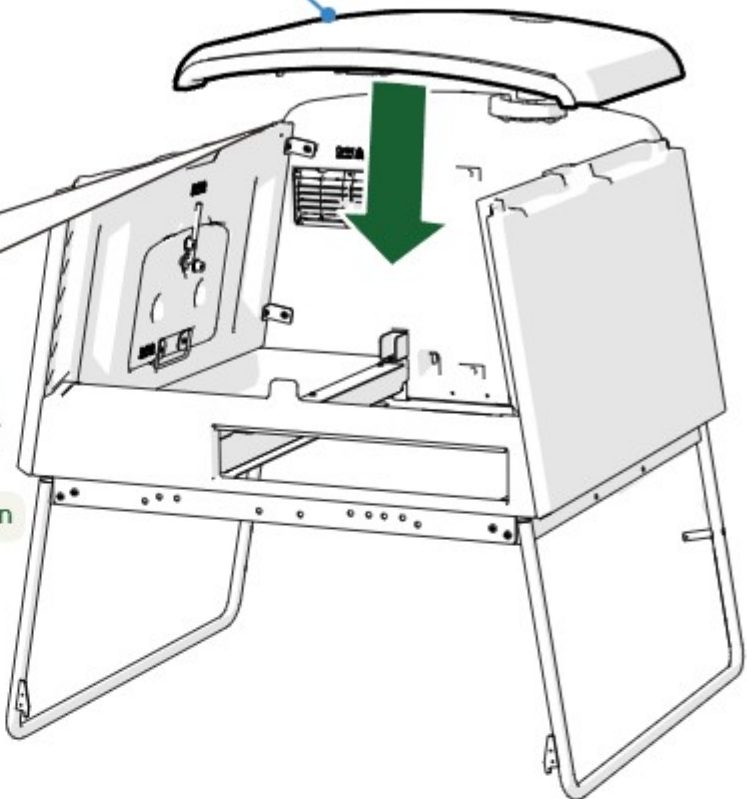
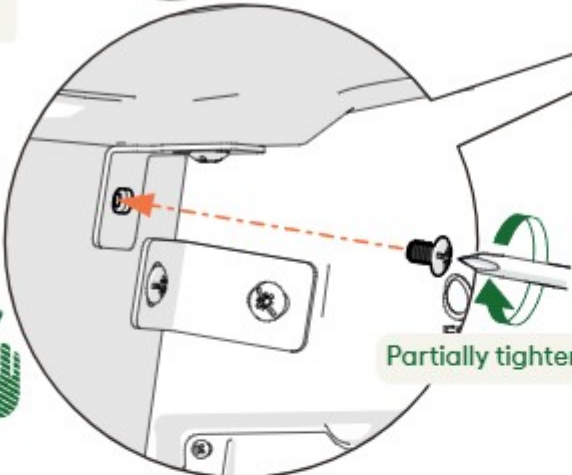
29

Box B

Fixings Pack (Box A)

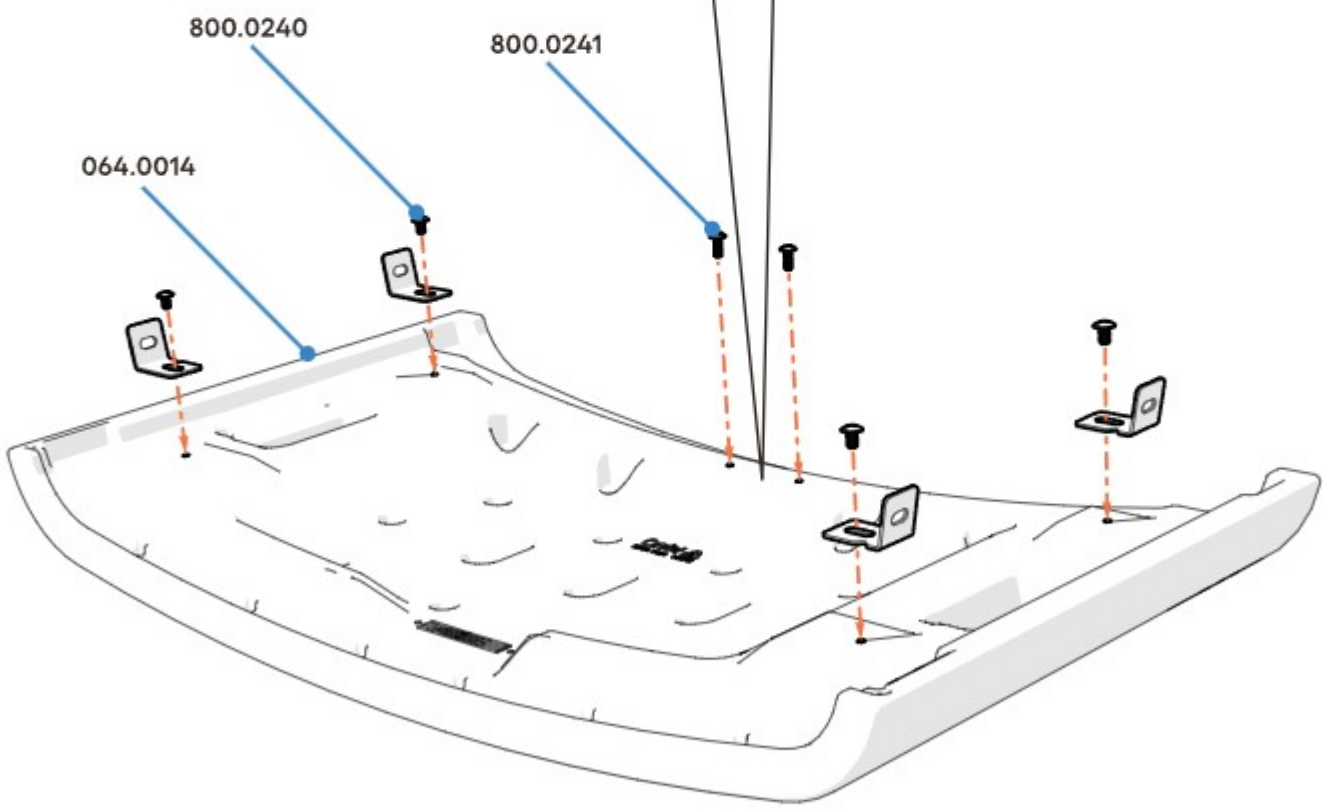
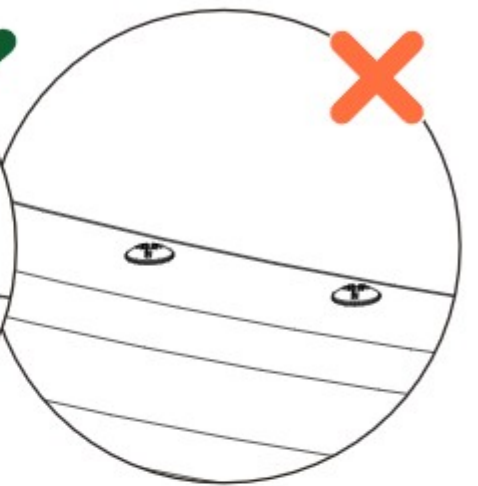
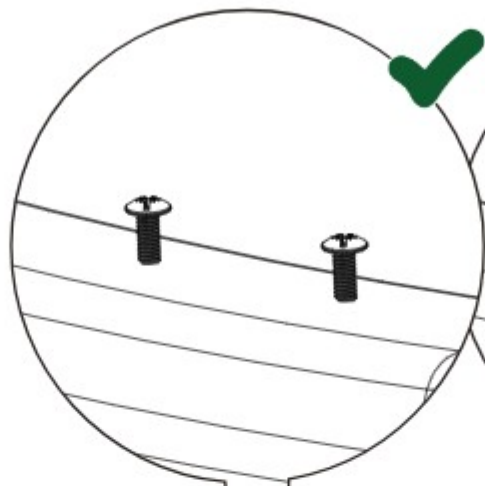
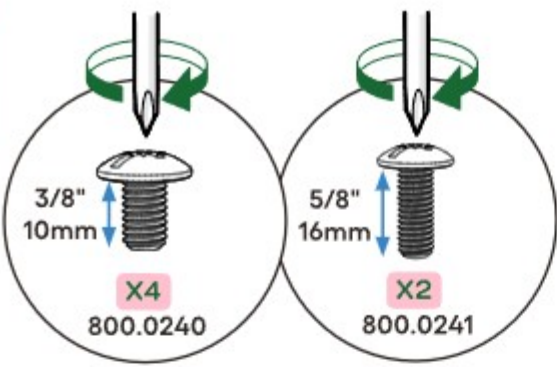


064.1003

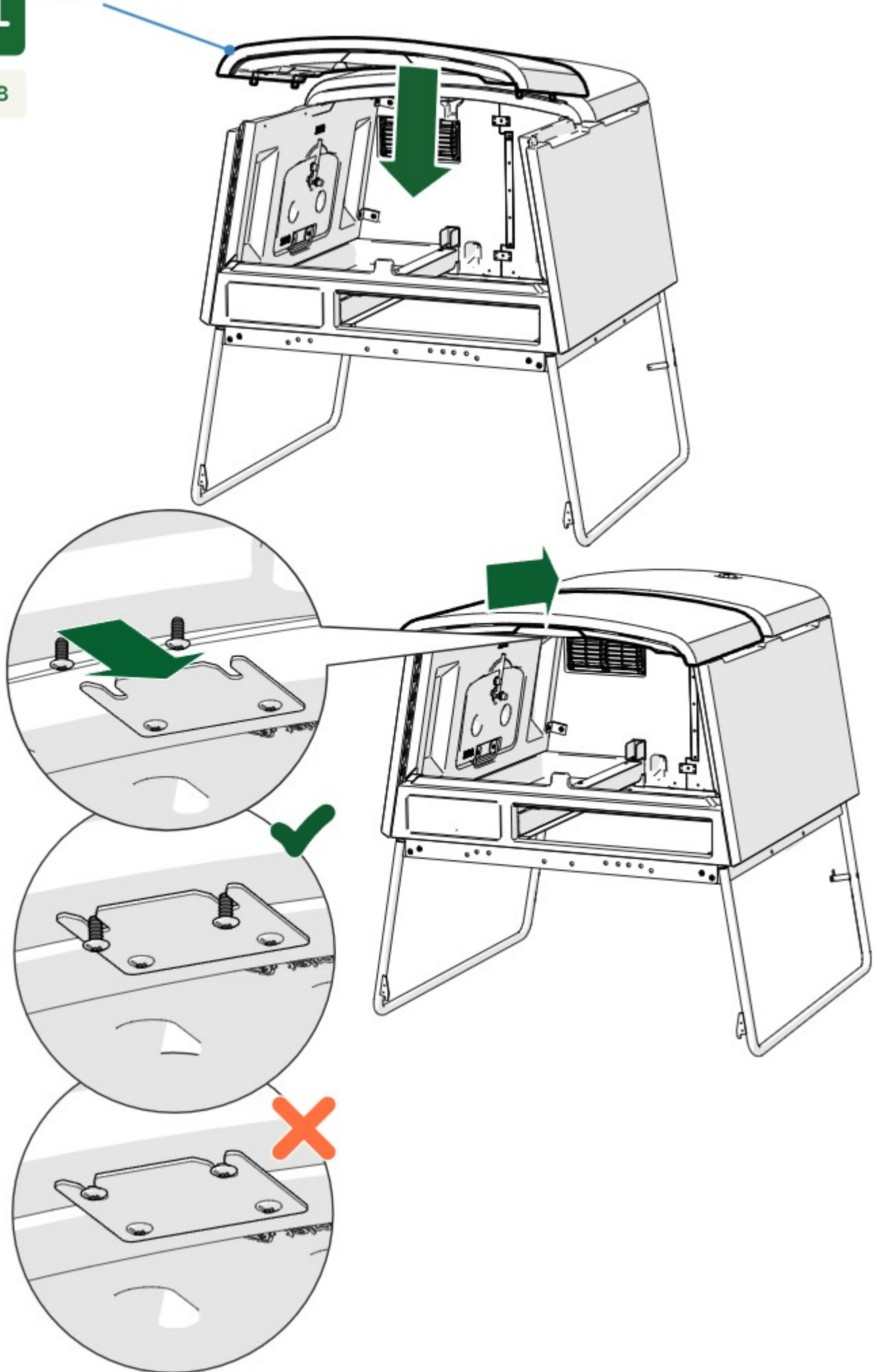


Box B

Fixings Pack (Box A)

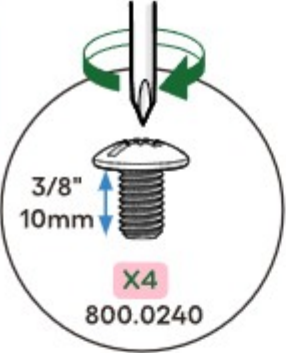


064.0014

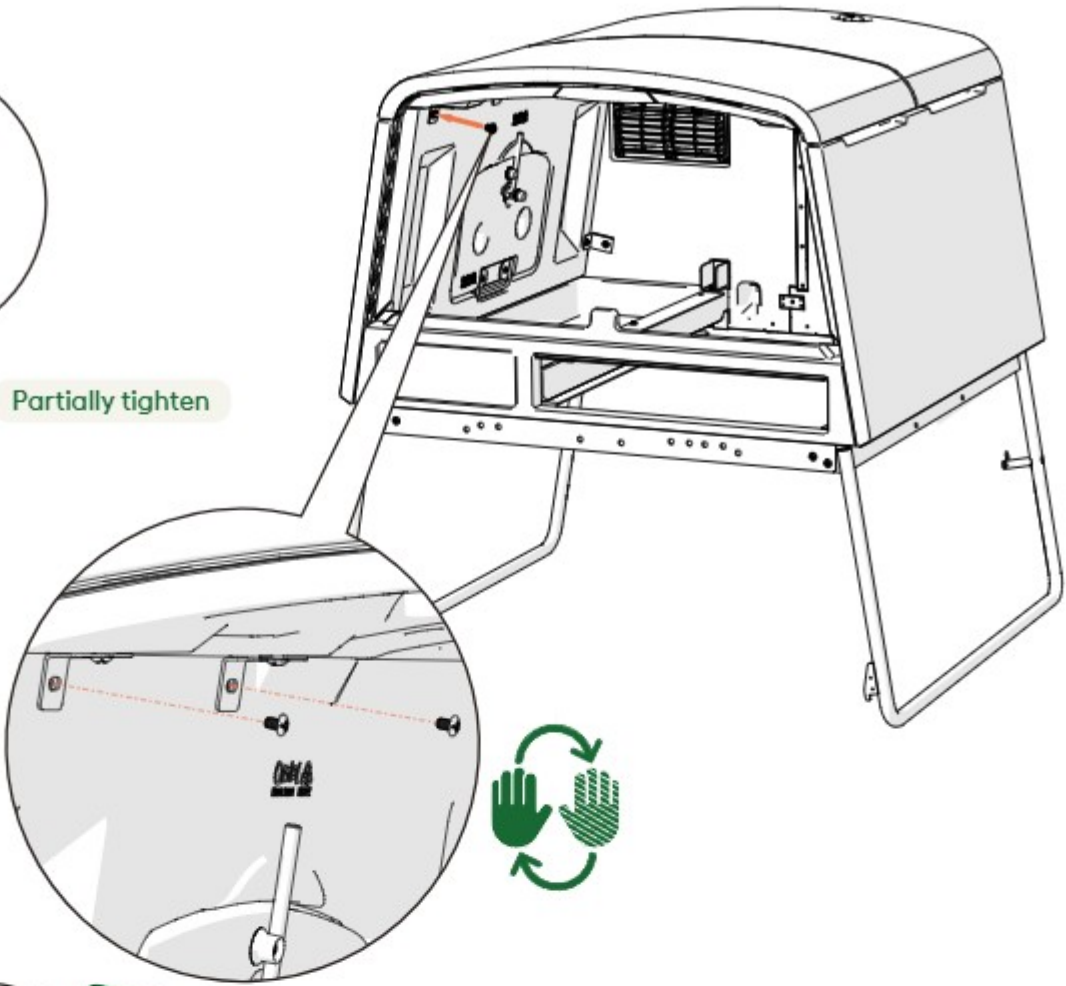


32

Fixings Pack (Box A)



Partially tighten

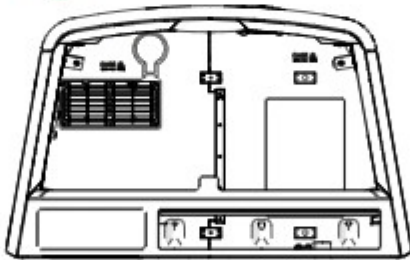
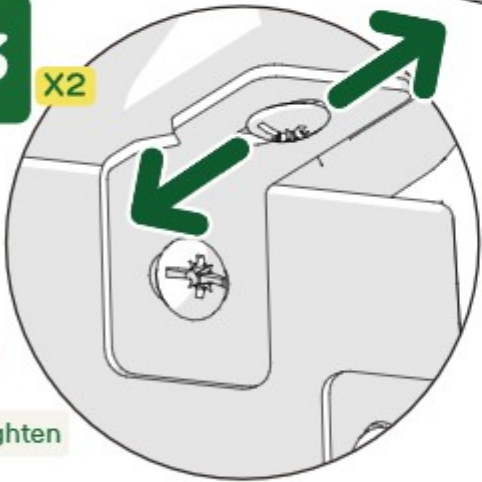


33

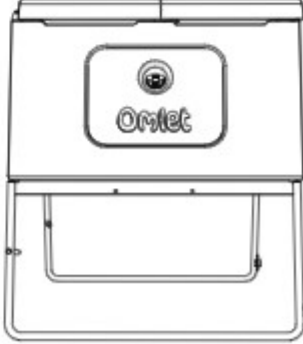
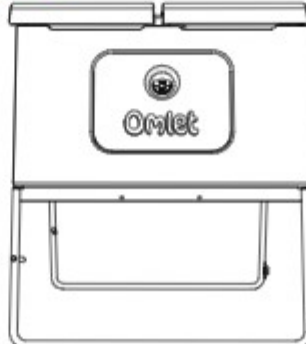
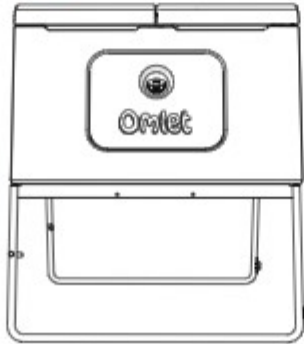
X2



Fully tighten

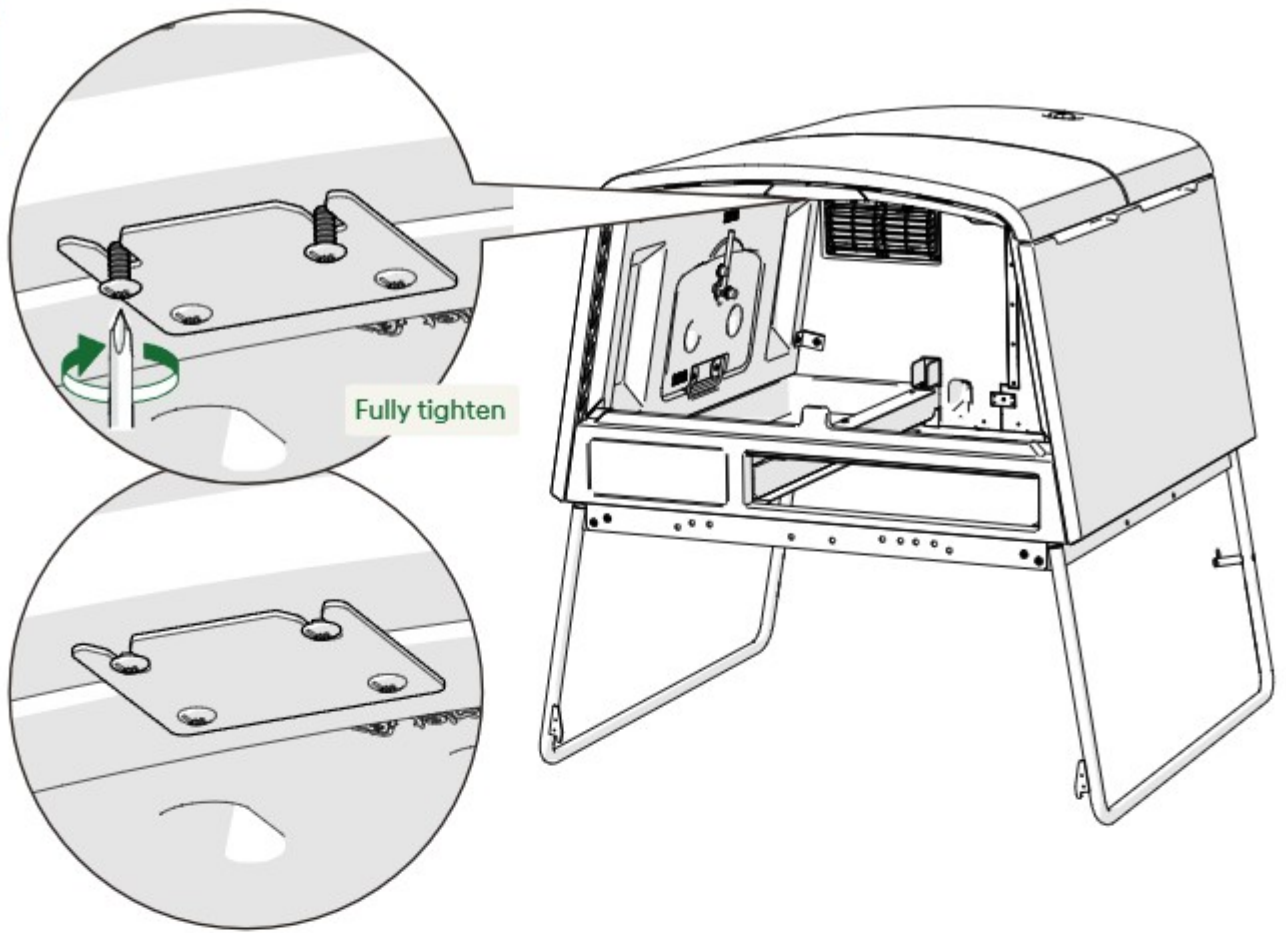


X2



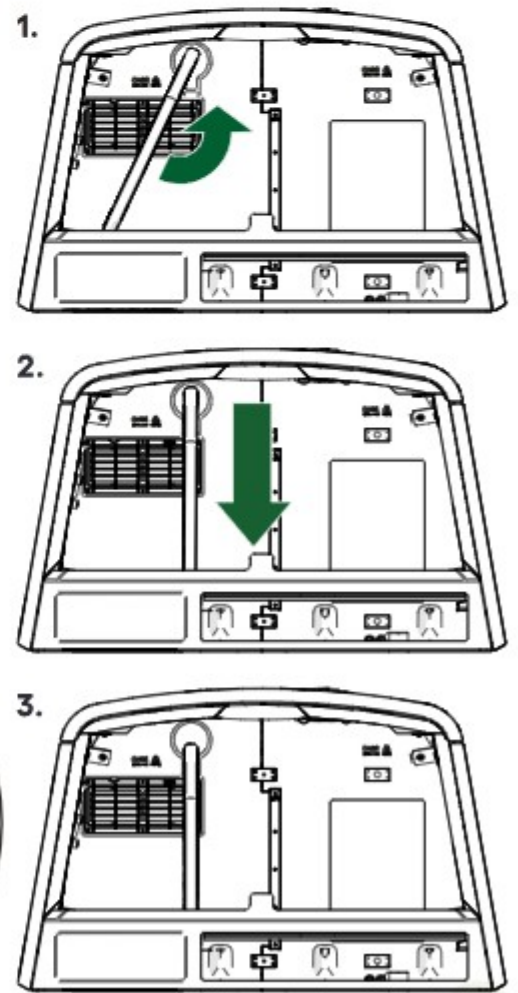
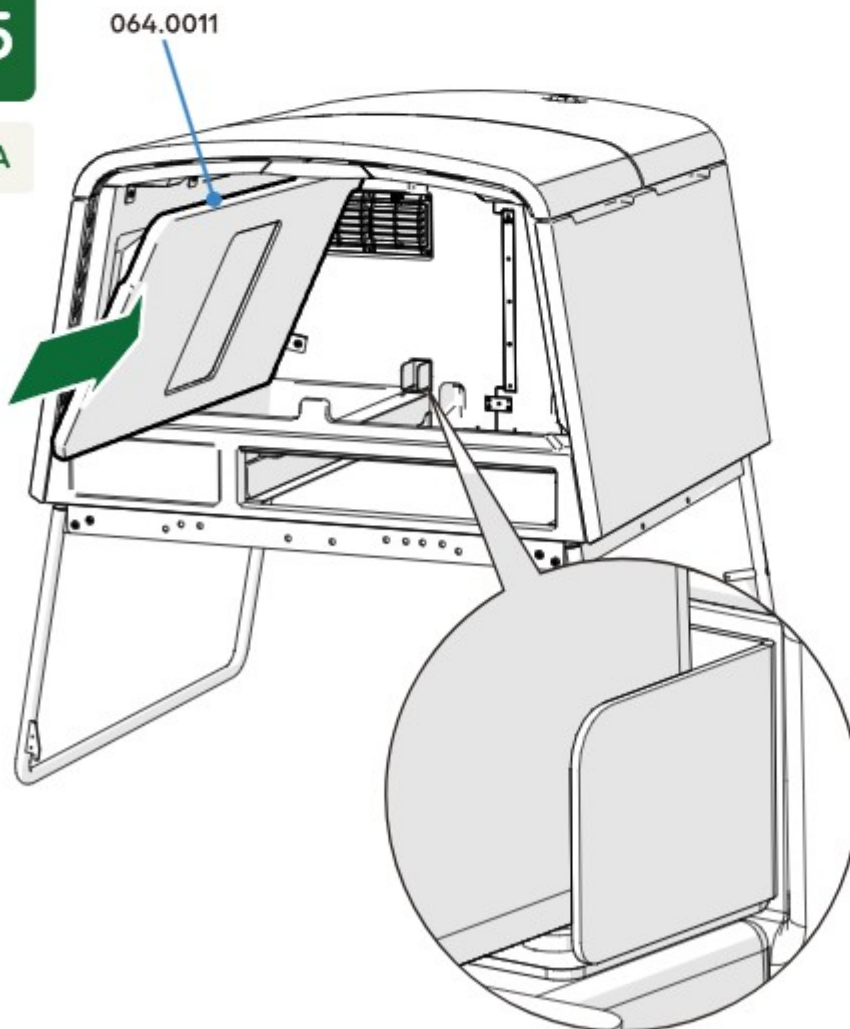
32

34



35

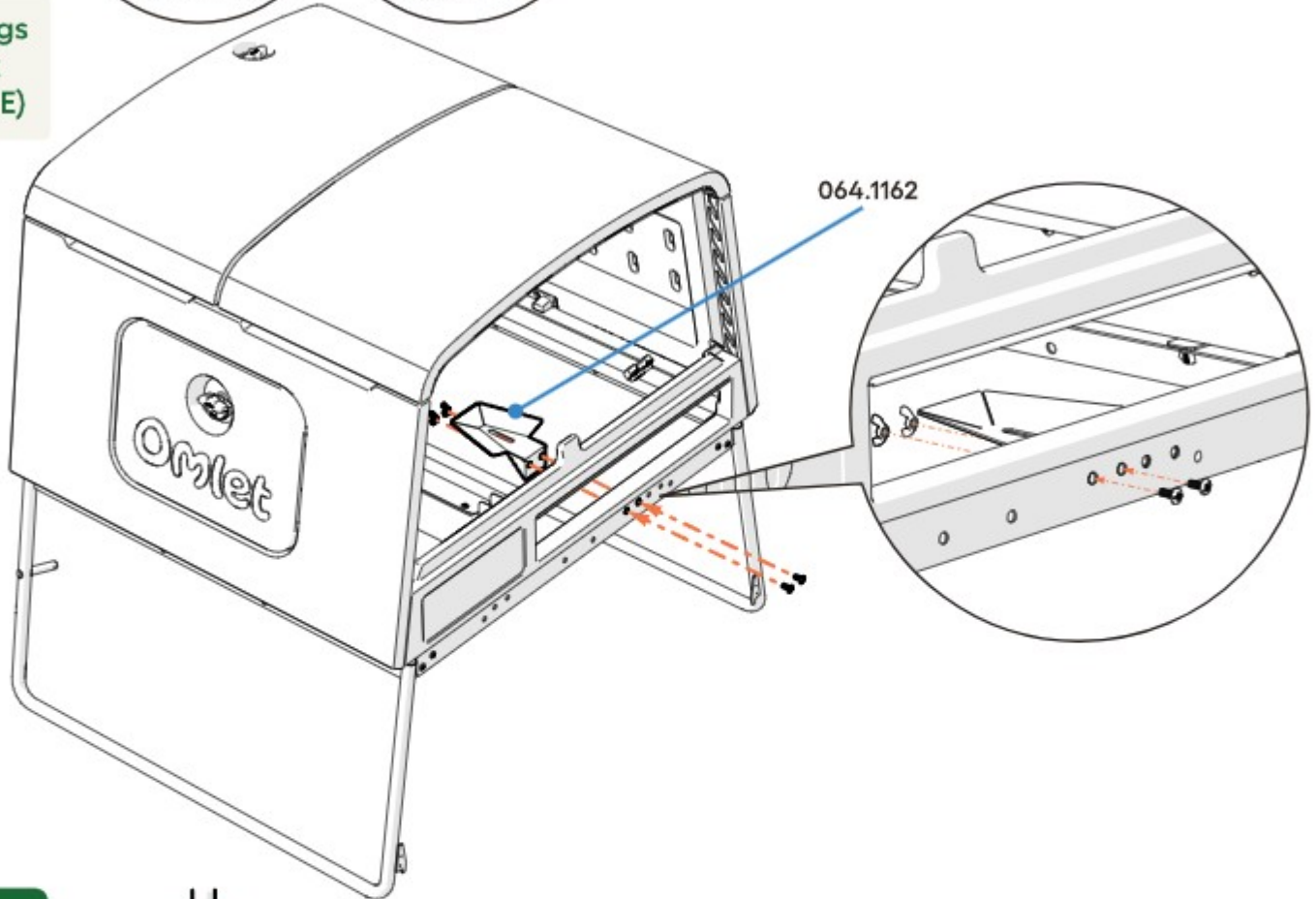
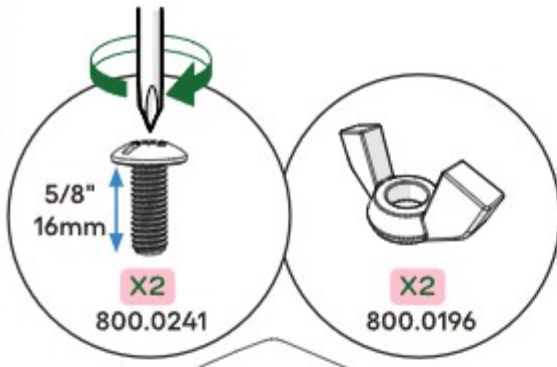
Box A



36

Fixings Pack (Box C)

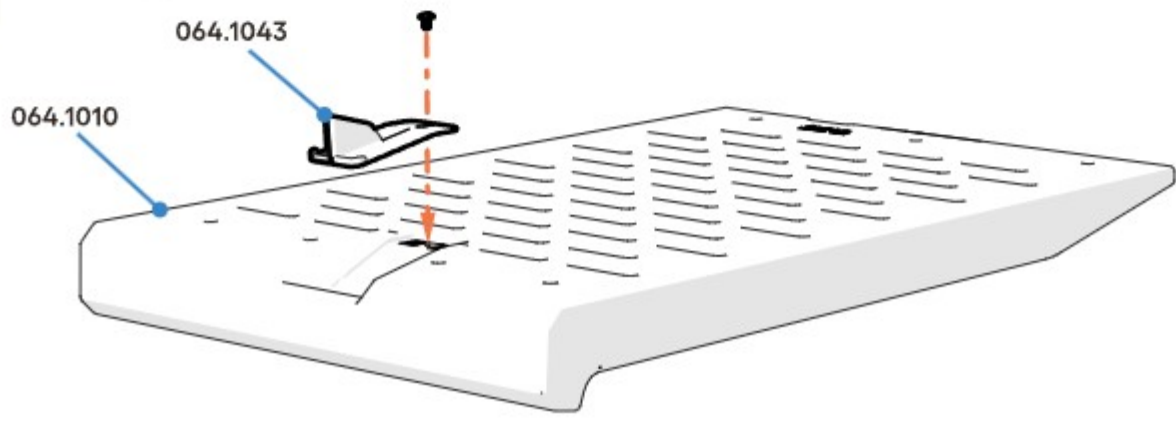
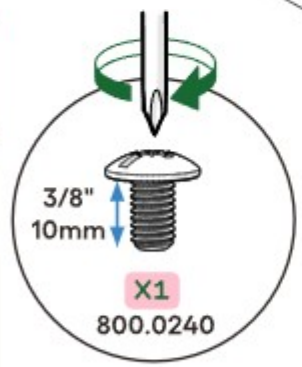
Fixings Pack (Box E)



37

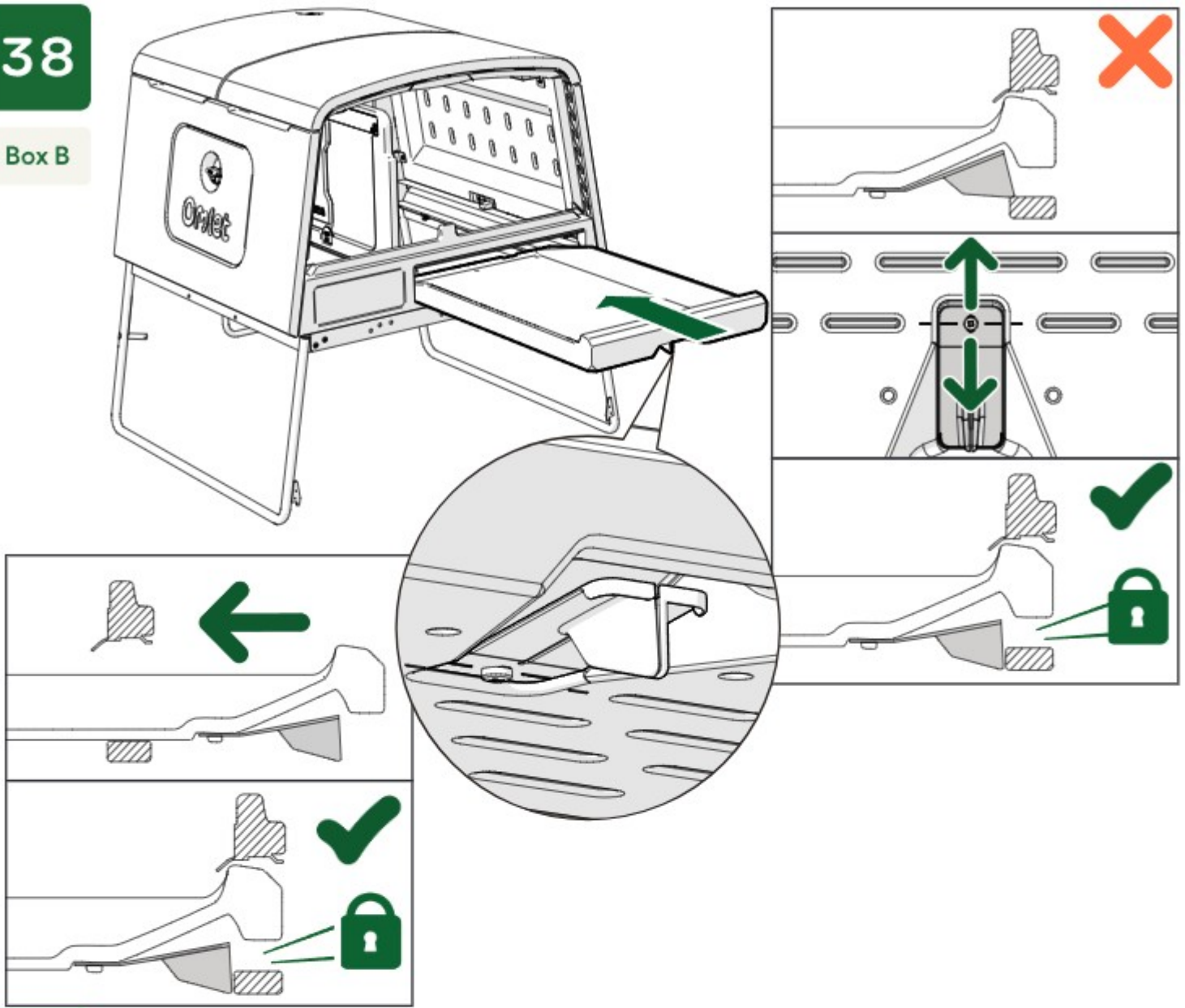
Box B

Fixings Pack (Box A)



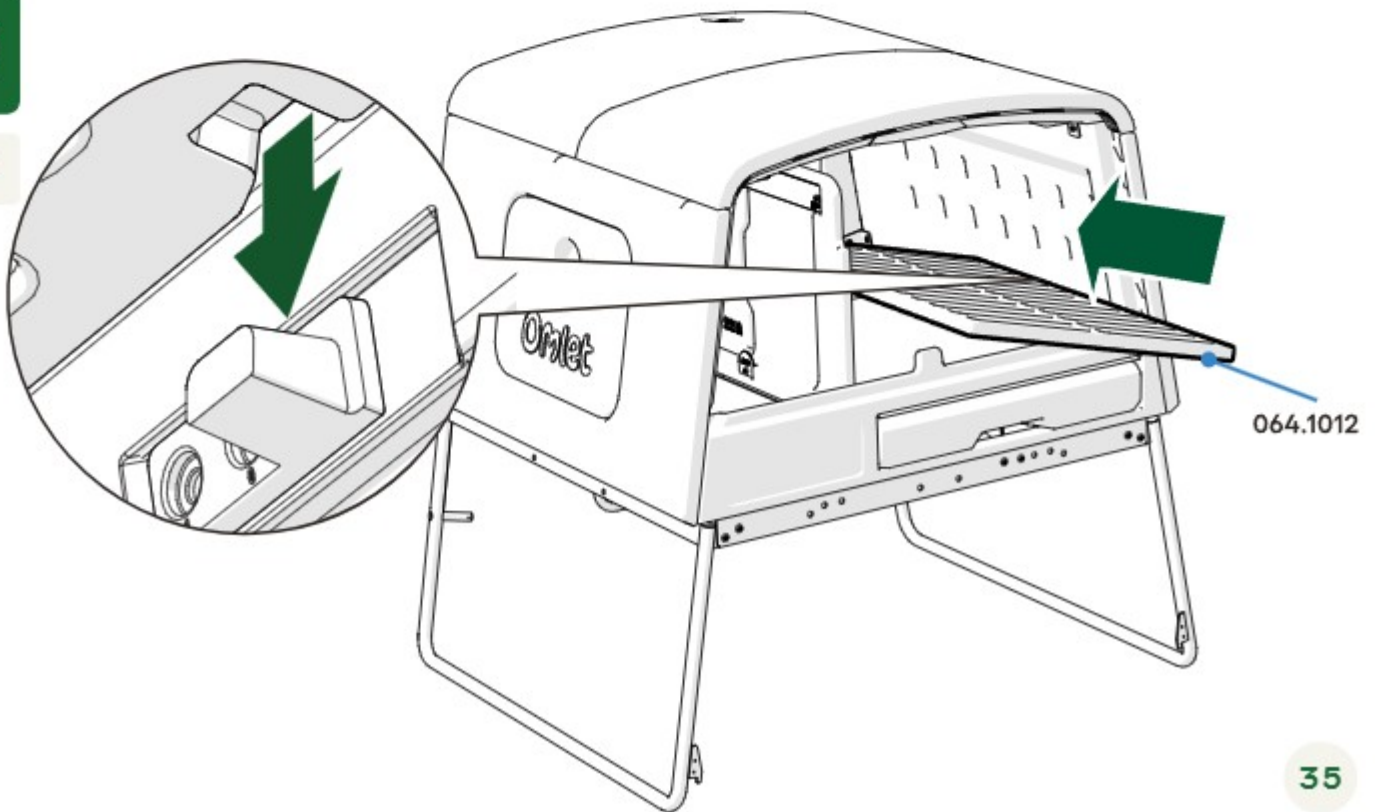
38

Box B



39

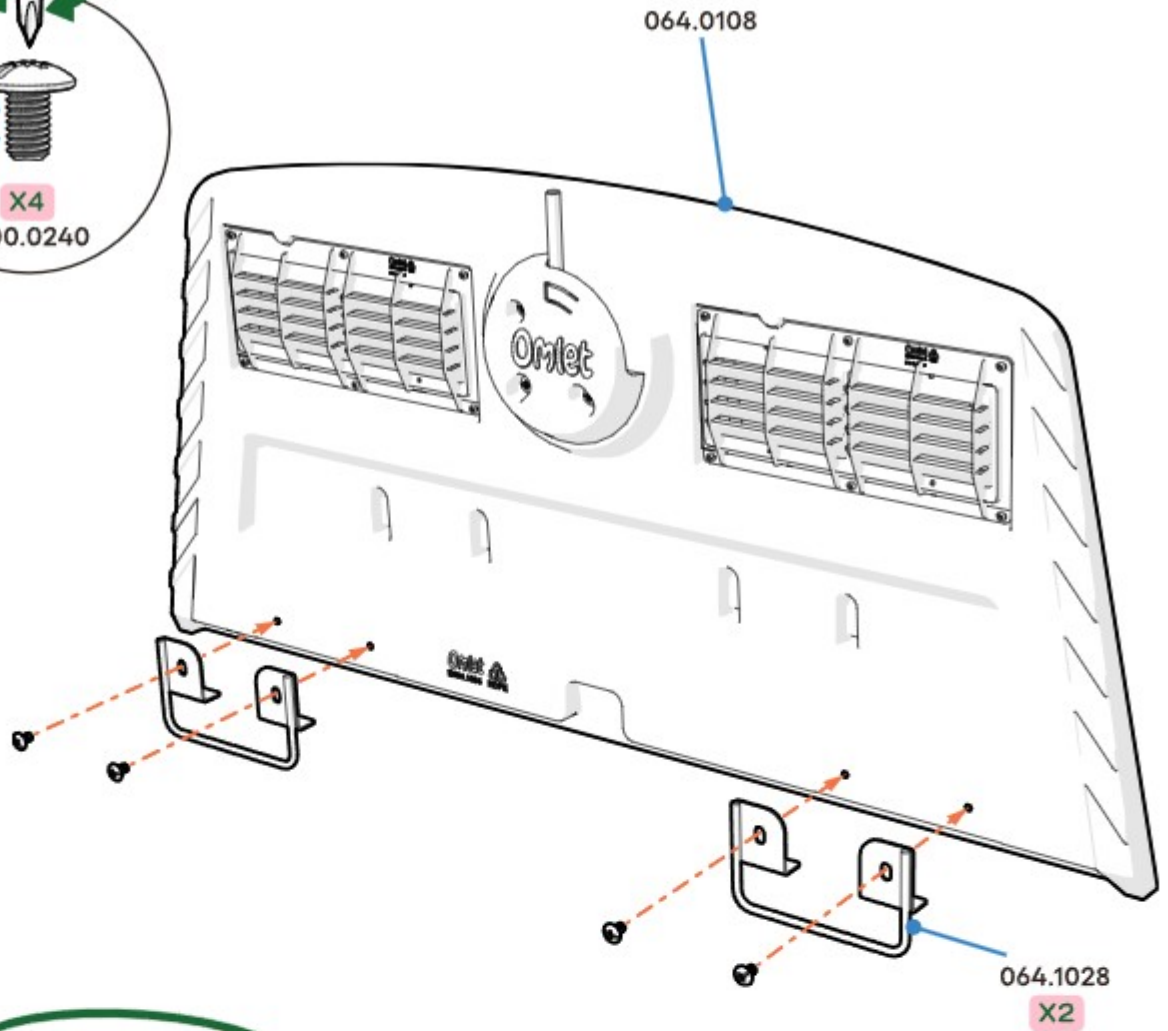
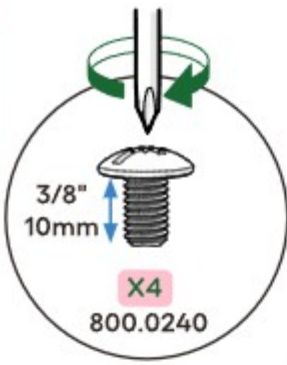
Box B



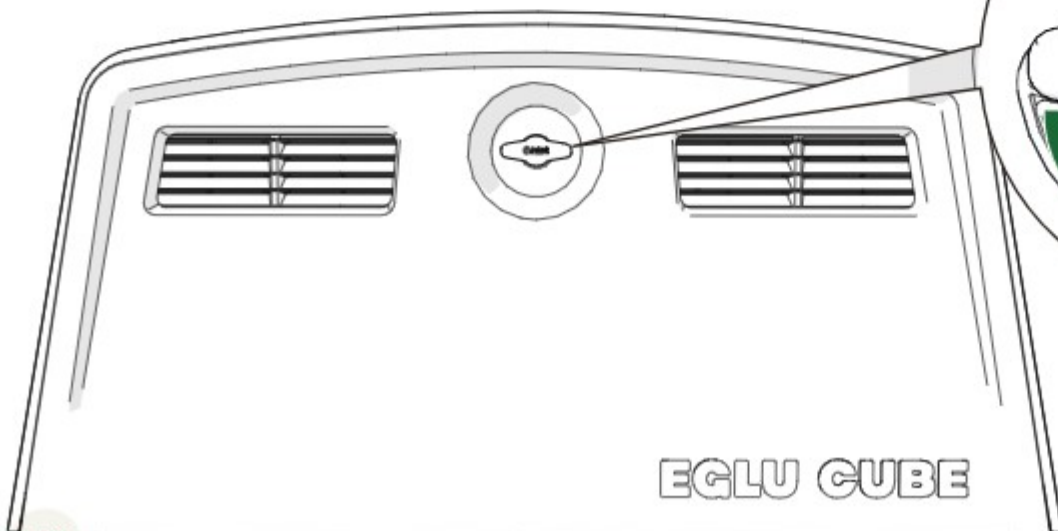
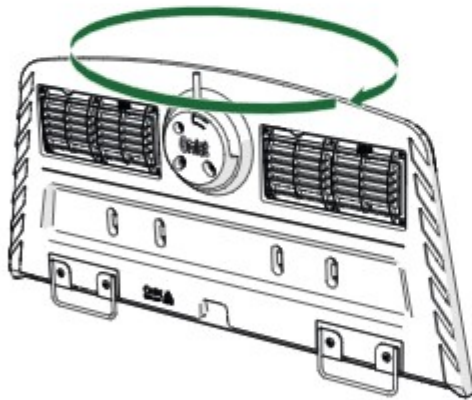
40

Box A

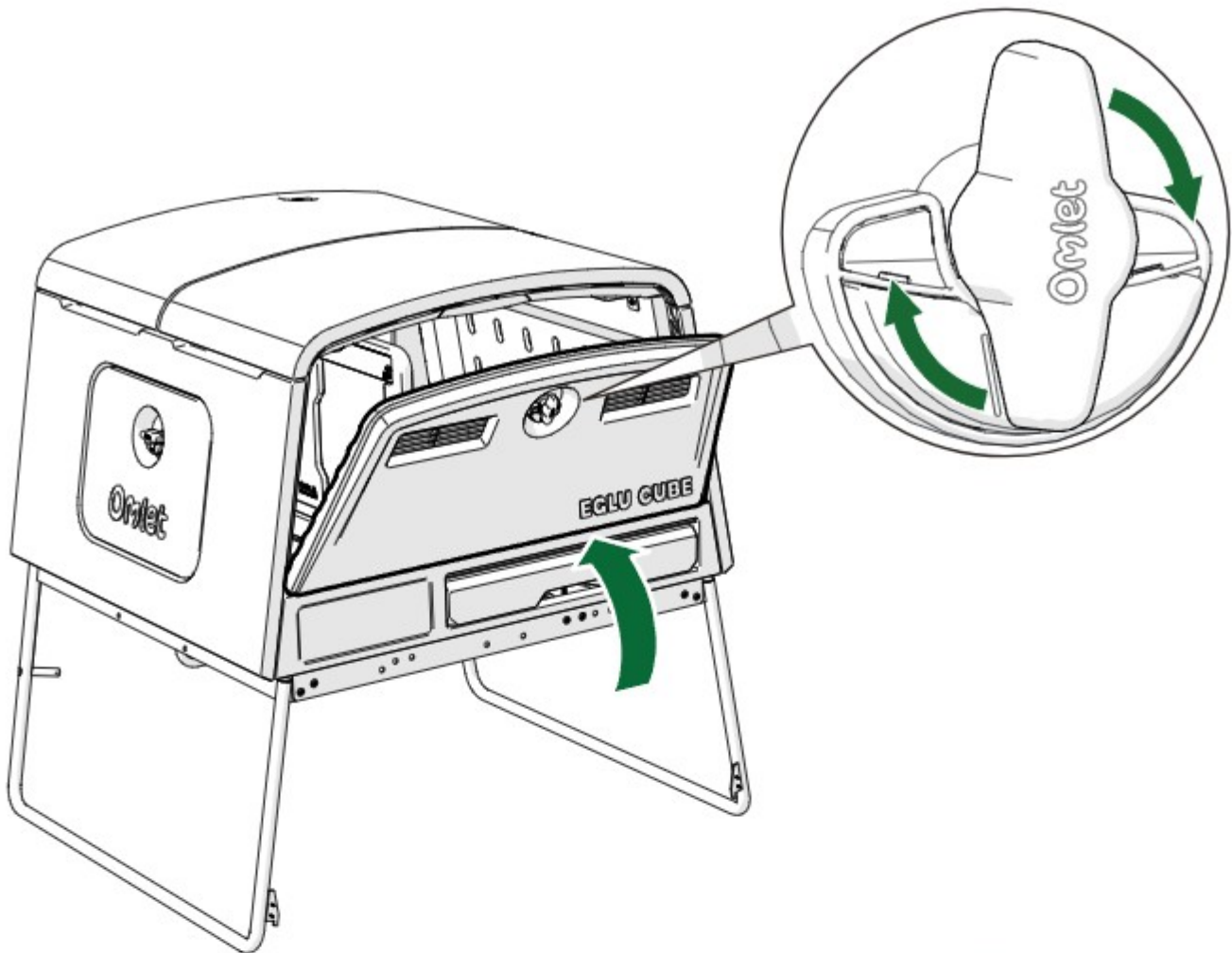
Fixings Pack
(Box A)



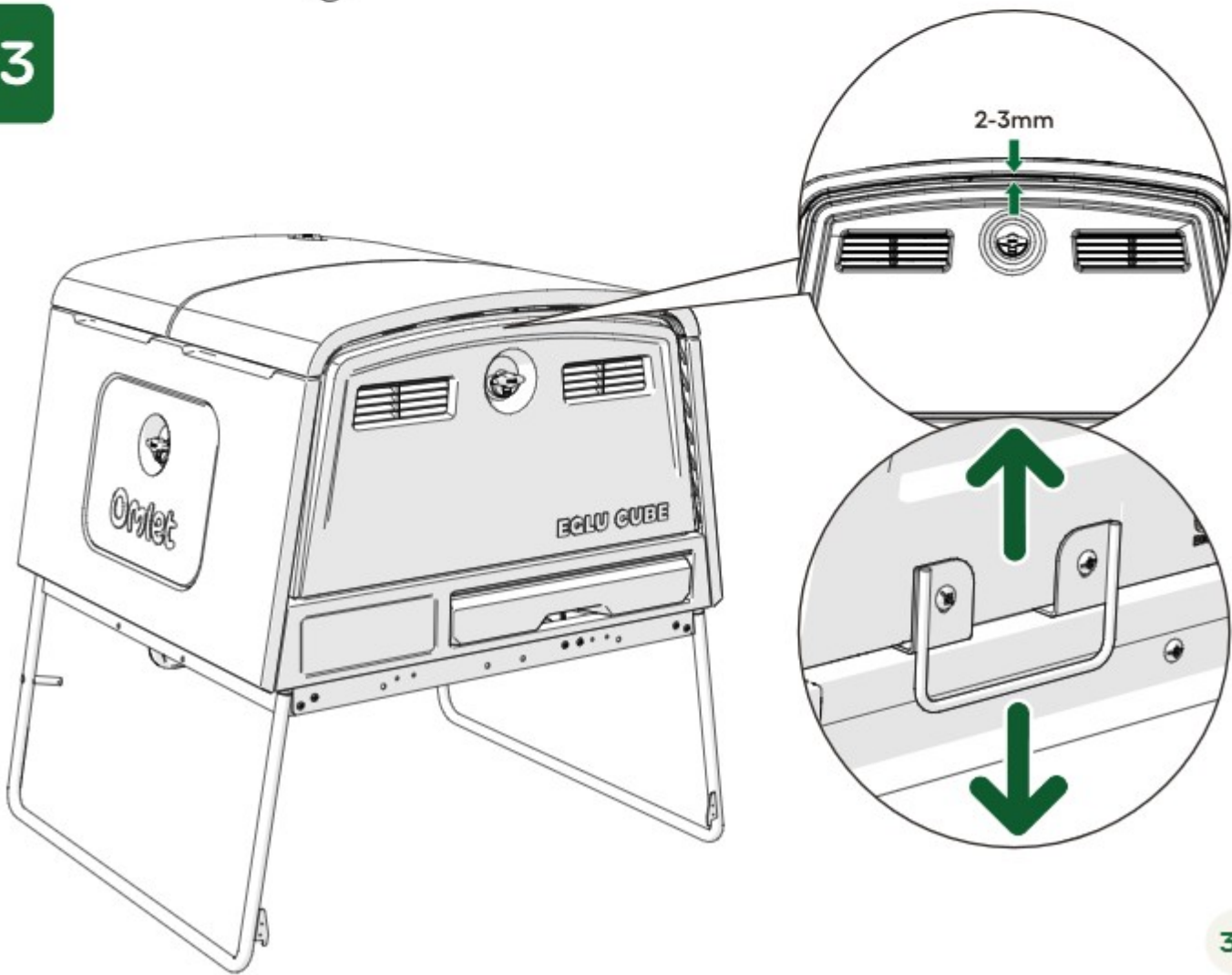
41

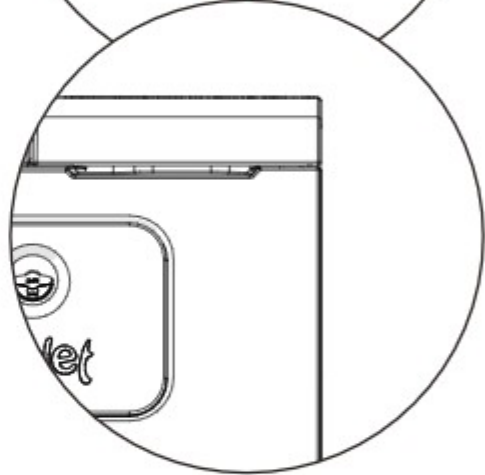
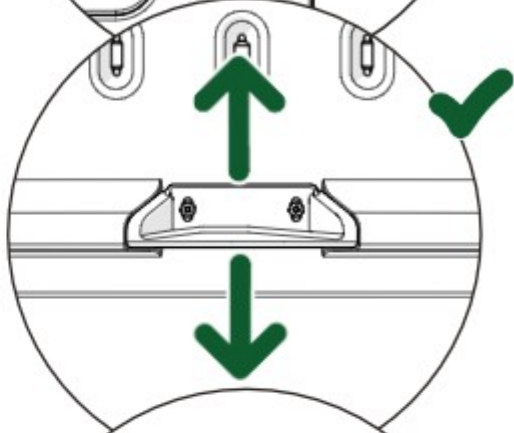
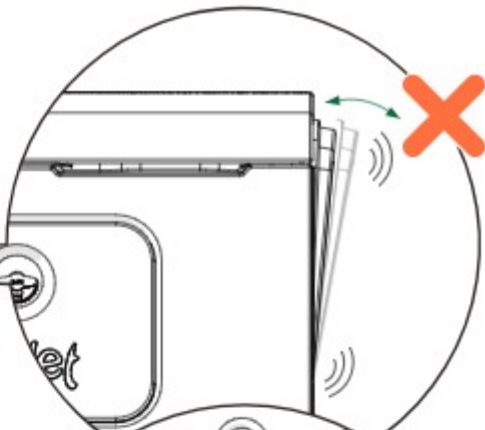
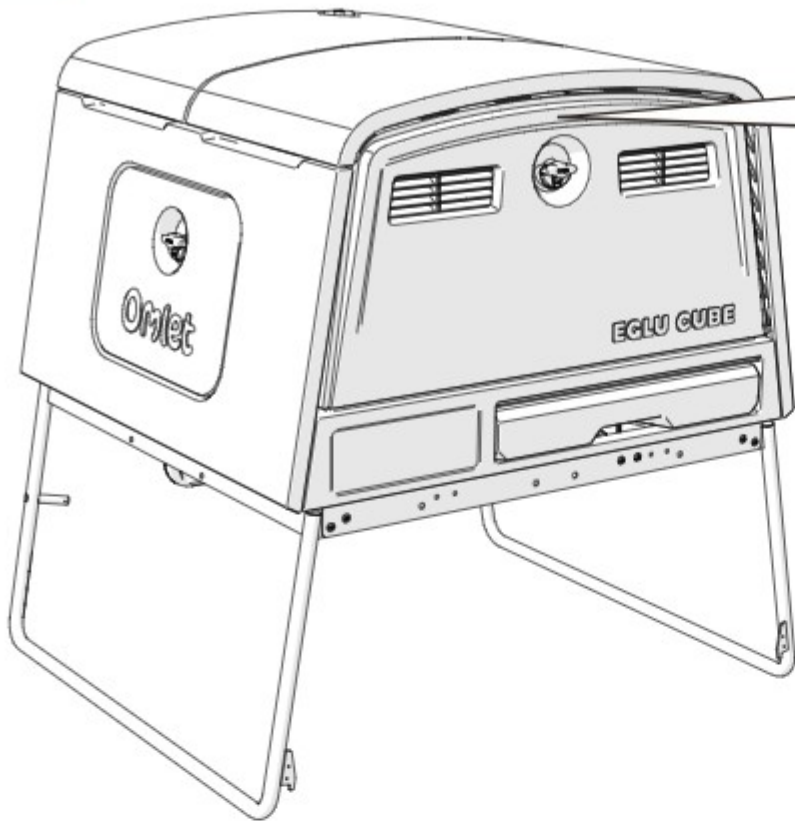


42

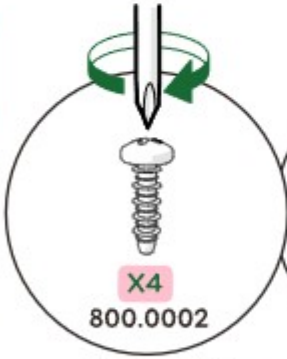


43





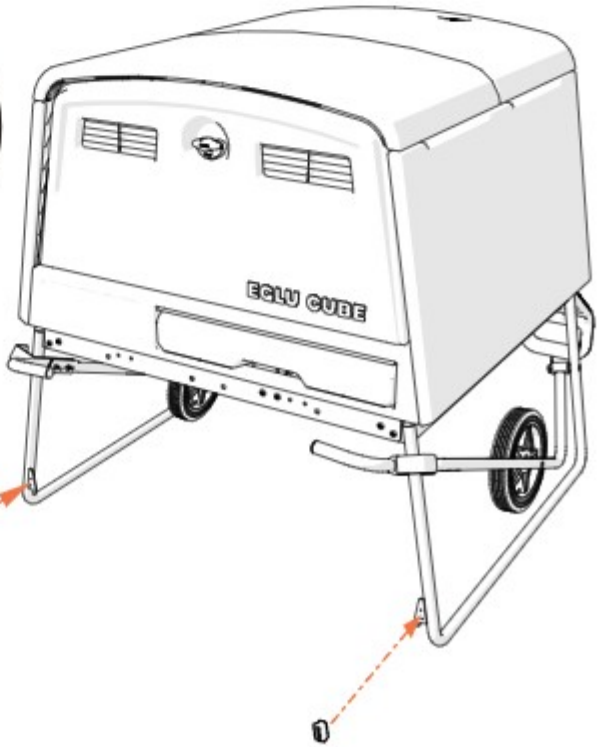
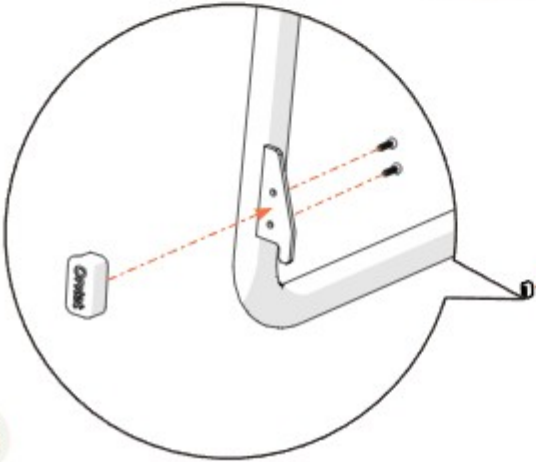
Fixings Pack (Box C)



X4
800.0002



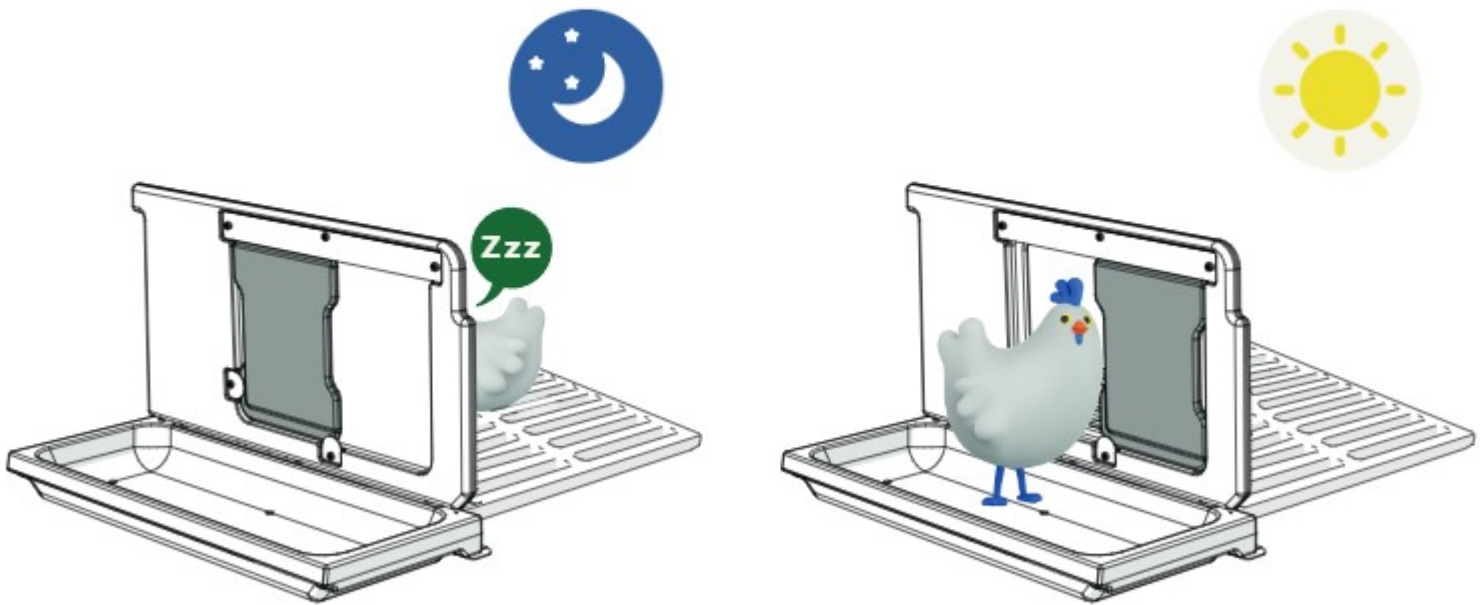
X2
064.1163

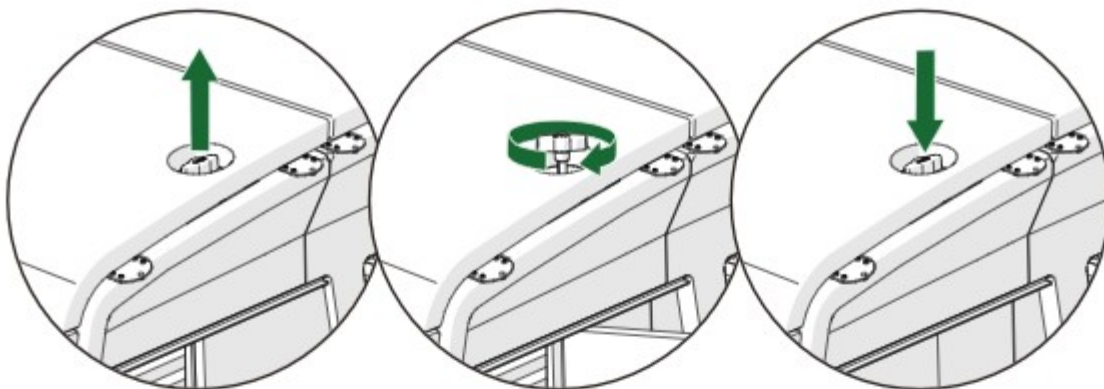


That's it! Congratulations, your new Eglu Cube is now ready for chickens.

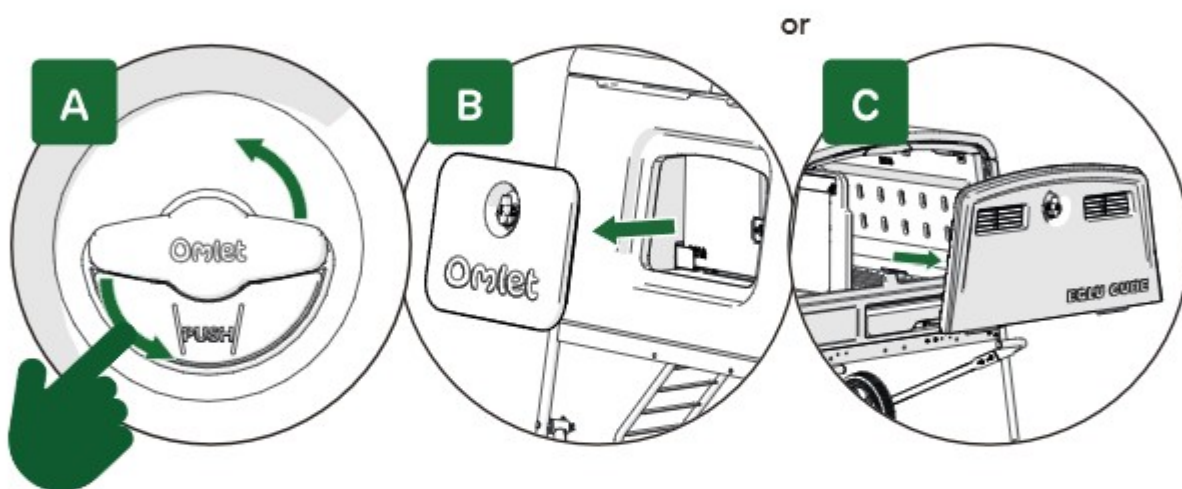


Partition: The partition is used to keep your chickens in the roosting area at night

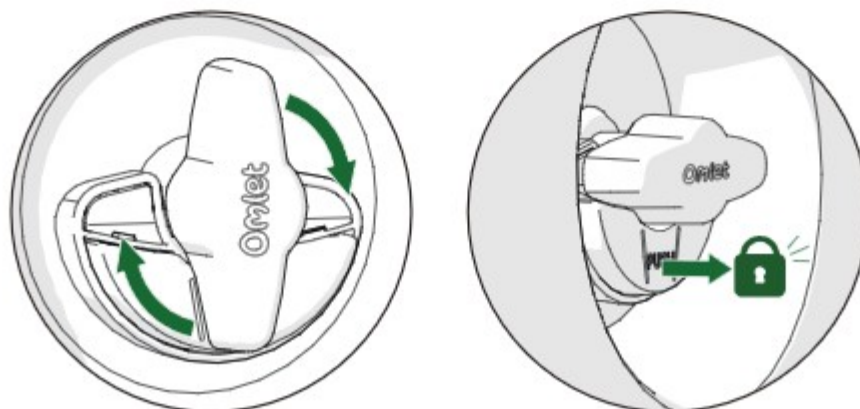




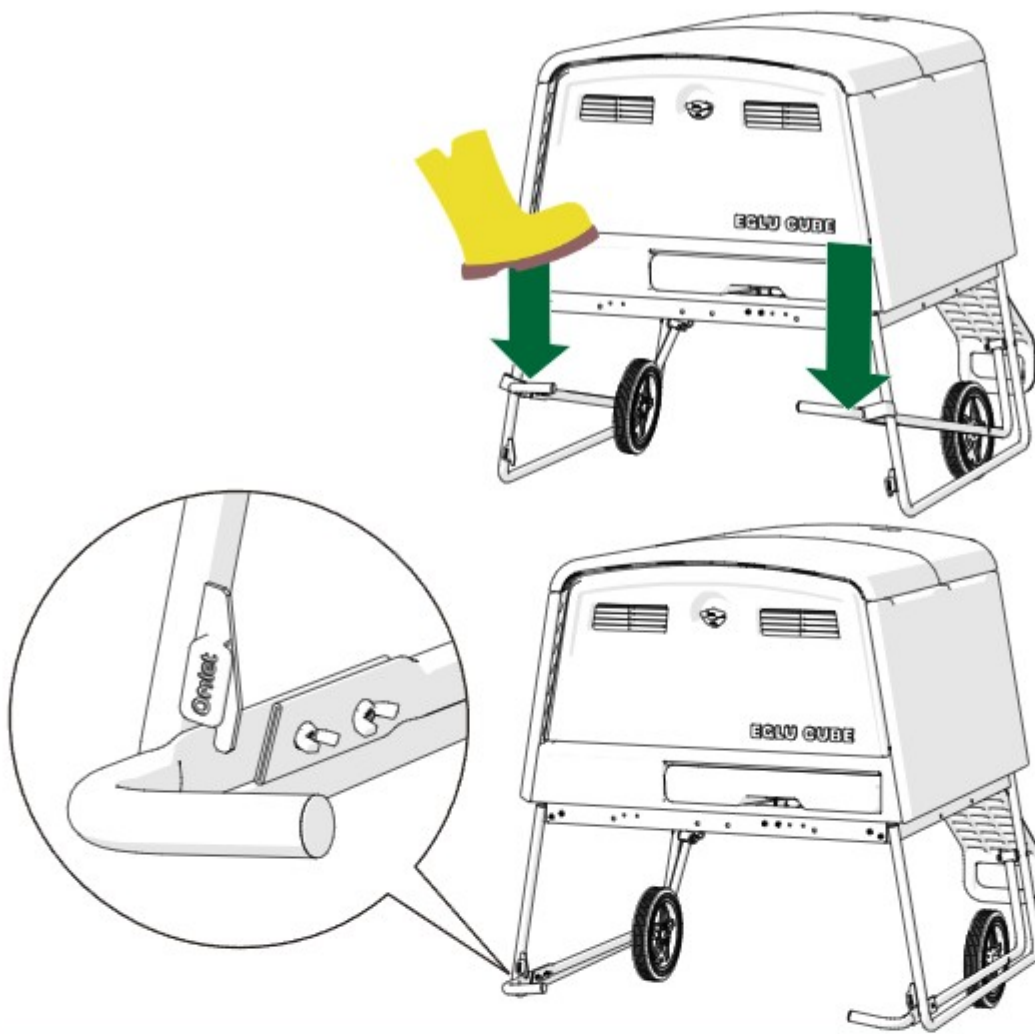
To unlock the T-handle, push the button and twist the handle at the same time



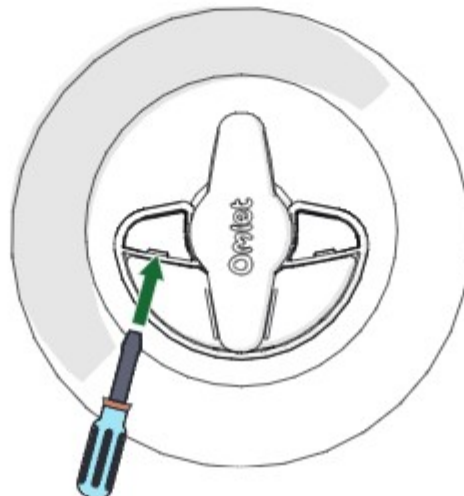
To lock the T-Handle, turn it to its horizontal position and ensure the push button springs up.



Using the Wheels:



If you need to remove the lock, use a flat head screwdriver to lift out the screw caps (810.0443 + 810.0444).



Deep Clean

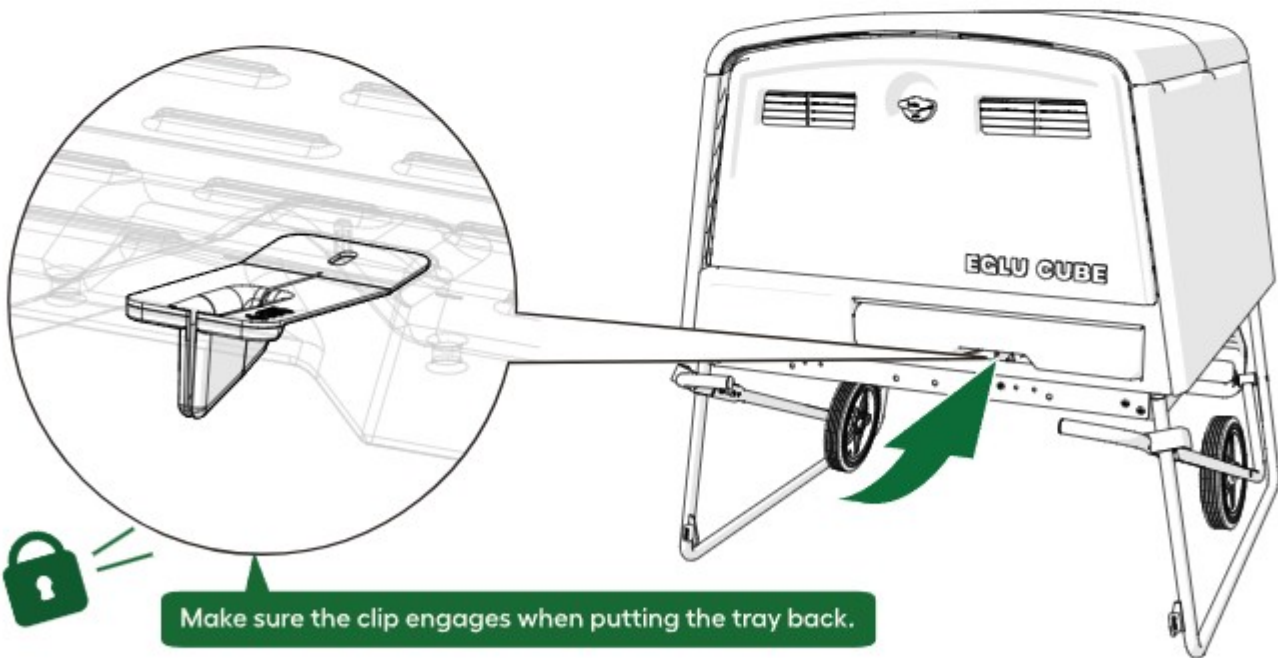
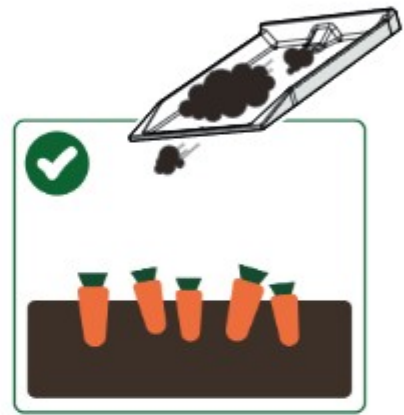


14-21

Empty Droppings Tray



2-3



DOs

Collect and enjoy your eggs everyday. Leaving eggs in the Eglu Cube can cause your chickens to go broody and not lay any eggs for a few weeks.

Make sure your chickens always have access to food and clean water.

Let your chickens out of the Eglu Cube everyday. If you are away, then leave the Eglu Cube door open so that the chickens can get out into the run in the morning. Not letting your chickens out will lead to distressed chickens and could lead to terminal overheating.

Supervise children when they are using the Eglu Cube or interacting with the chickens.

Wash your hands thoroughly after coming into contact with the Eglu Cube or chickens.

Be aware that chickens have sharp beaks and claws and they may peck or scratch at something that resembles food or looks interesting to them. Small shiny things are especially attractive to chickens.

Check that the door and rear panel are well secured. If they are not secure your chickens are at greater risk of escape and predators.

Keep your Eglu Cube in a shady spot during hotter weather.

DON'Ts

Do not let children inside the Eglu Cube. This could lead to them getting stuck.

Do not keep the Eglu Cube on uneven ground.

Do not use bleach, solvents or strong detergent to clean the Eglu Cube. They could damage the plastic.

Do not keep the Eglu Cube near sources of ignition, such as a bonfire or barbecue, because they could set the Eglu Cube on fire.

Do not use the Eglu Cube to house animals other than chickens. It has not been designed for any other purpose.

Do not keep more than 6 heavy breeds, 8 medium sized breeds or 10 small breeds in the Eglu Cube with the standard run and extension.

NEXT STEP, CHICKENS



Omlet



Please
reuse &
recycle.

© Copyright Omlet Ltd. 2024

Design registered, patent pending

Omlet and Eglu are registered trademarks of Hebe Studios Ltd.

820.2261_ Instruction Manual Eglu Cube Frame & Coop & Wheels _ 02/10/2024

