

EGLU CUBE

MK2 6ft Run assembly guide



Omlet

LET'S DO THIS

Ever tried Origami? With a pinch of patience, a flat piece of paper becomes something wonderful. Building an Omlet product works along the same lines. Follow our step by step instructions and watch your expertly engineered creation take shape.



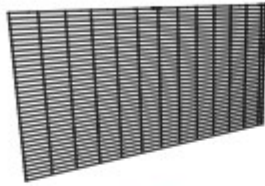
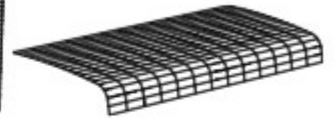
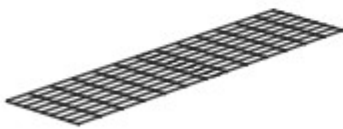
www.omlet.us/how_to_build



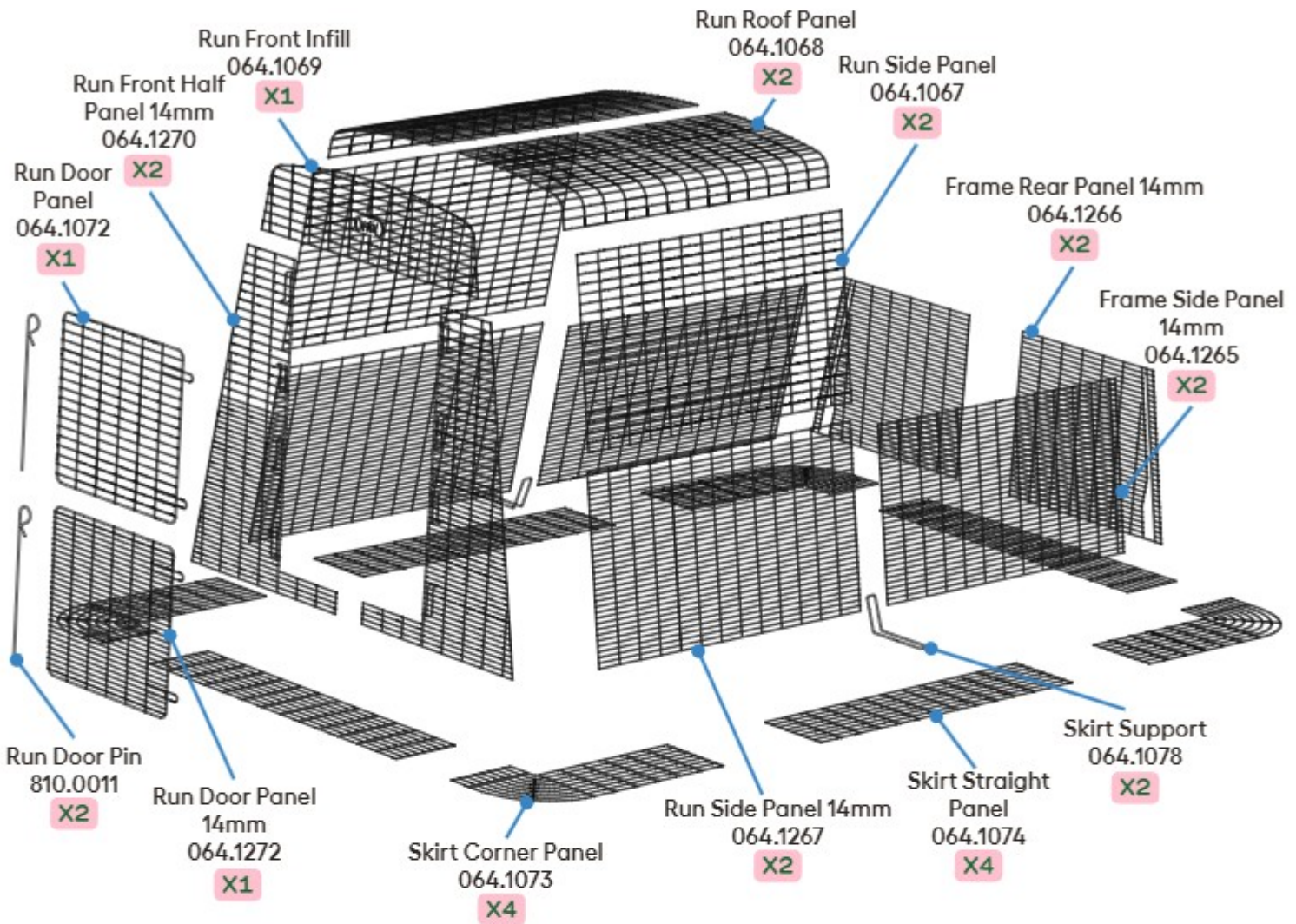




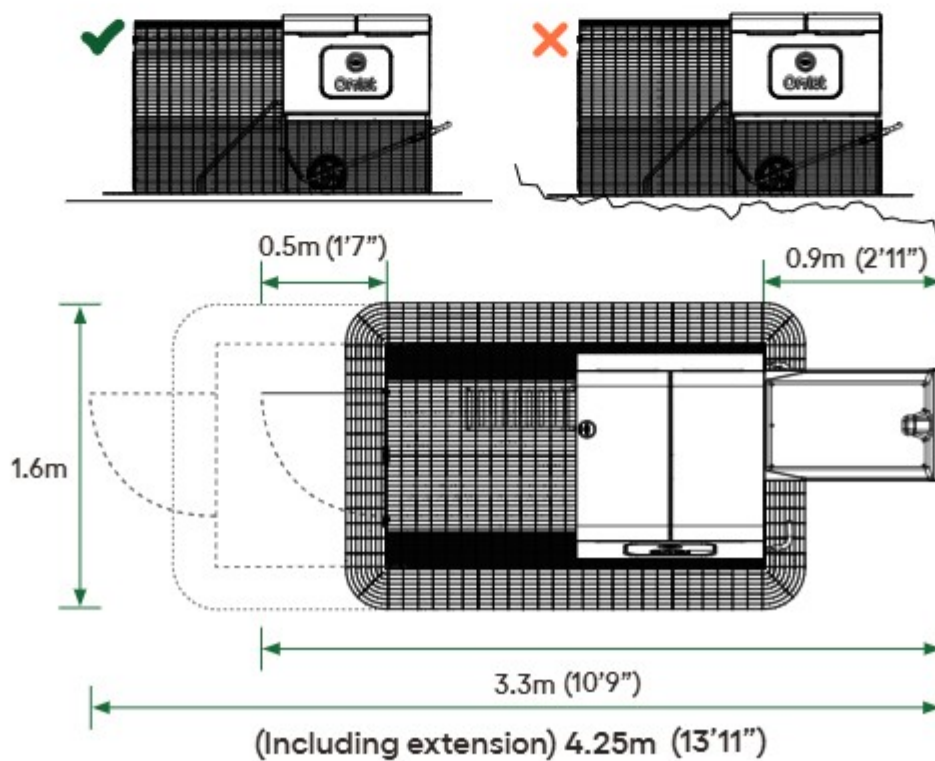
The run is designed to be used outdoors for years to come. However, we recommend that you check your run regularly for signs of corrosion, especially if you live somewhere with extreme weather conditions or close to the sea. Corrosion will occur if the coating has been scratched or scraped, for example. If you do see some, remove any loose rust and touch up with a weather resistant paint.

What you have received**064.0146: Mesh Run Box D****X2**Frame Rear Panel 14mm
064.1266**X2**Frame Side Panel 14mm
064.1265**X2**Run Side Panel
064.1067**X2**Run Side Panel 14mm
064.1267**X2**Run Roof Panel
064.1068**X1**Run Front Infill Panel
064.1069**X2**Run Front Half Panel 14mm
064.1270**X1**Run Door Panel
064.1072**X1**Run Door Panel 14mm
064.1272**X4**Skirt Corner Panel
064.1073**X4**Skirt Straight Panel
064.1074**X2**Run Door Pin
810.0011**X2**Skirt Supports
064.1078**810.0138: Bagged Omlet Badge****X2**Omlet Badge
810.0137**810.0024.082009: Bagged Mighty Clips****X82**Mighty Clip A
810.0135**X9**Mighty Clip F
810.0001**064.0065: Fixings Pack****X8**Rectangular
Washer
800.0190**X8**5/8"
16mm
M6x16mm
Screw
800.0241**810.0142.012: Bagged Zip Ties****X12**Cable Tie
800.0103**810.0188.032 Bagged Mighty Clips****X32**Mighty Clip B 11mm
810.0184**064.0080: Bagged Wheel Arm Track Guards****X2**Wheel Arm
Track Guard
064.1188**X16**Cable Tie
800.0103

Run Exploded Assembly

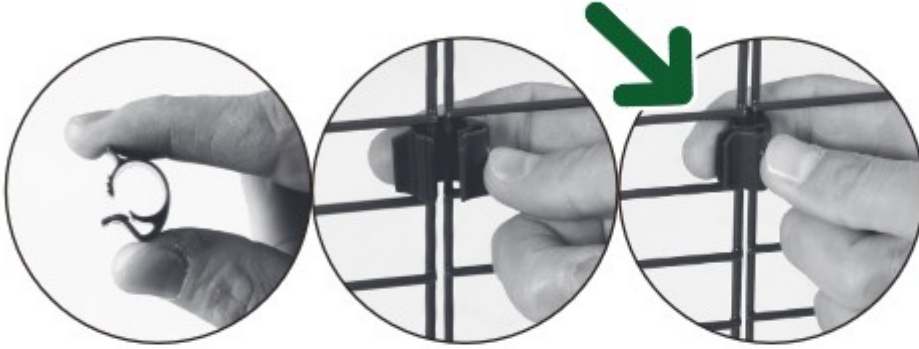


· Assembling your Eglu Cube ·

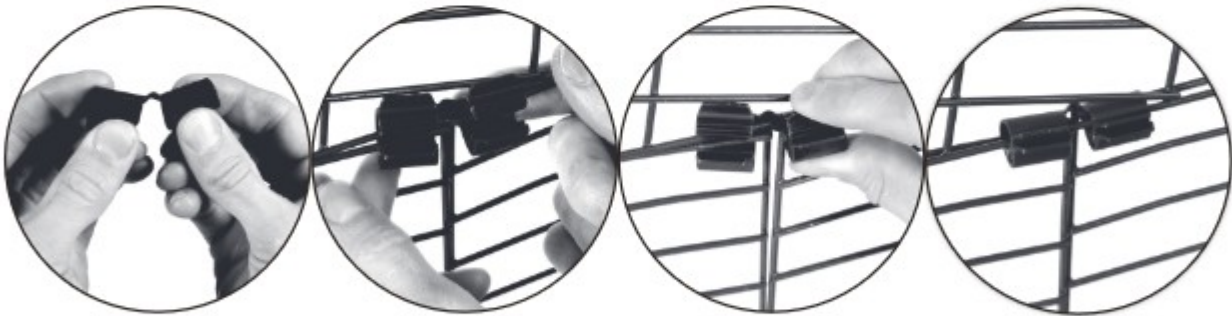


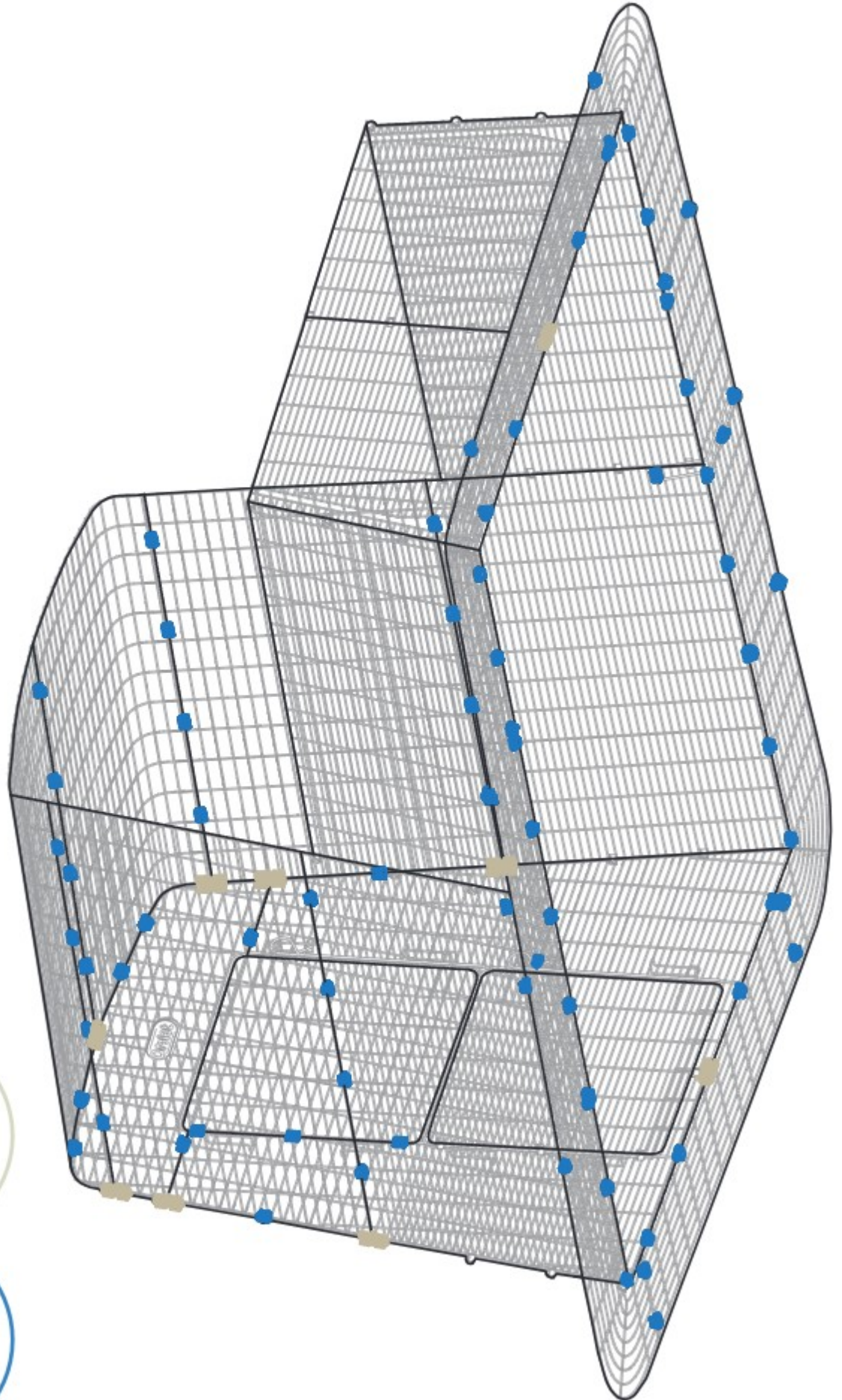
Tip: Warm your clips in warm water to make them easier to use

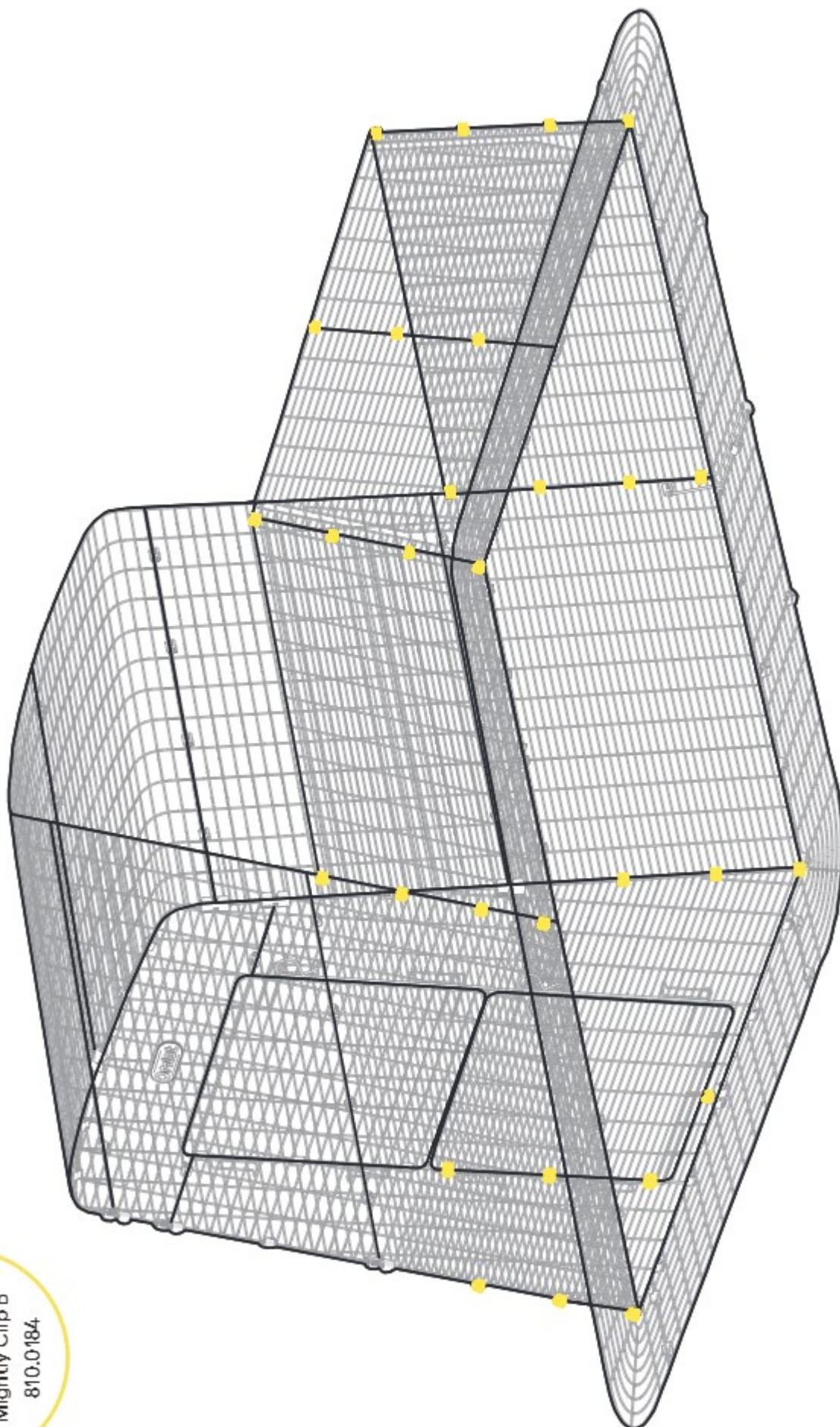
How to attach Mighty Clips A and B (810.0135, 810.0184)



How to attach Mighty Clips F (810.0001)





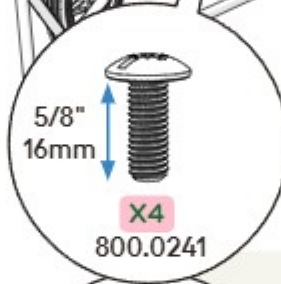
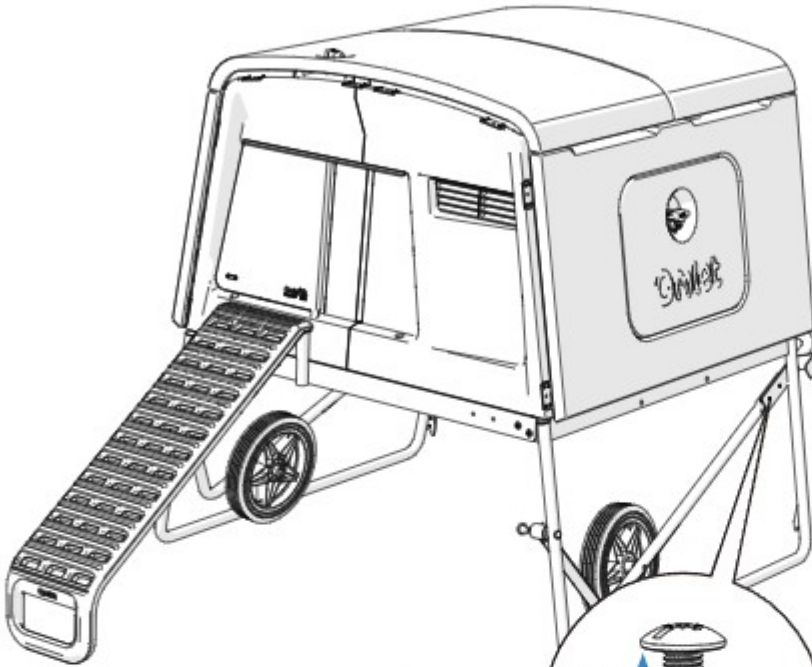


11mm

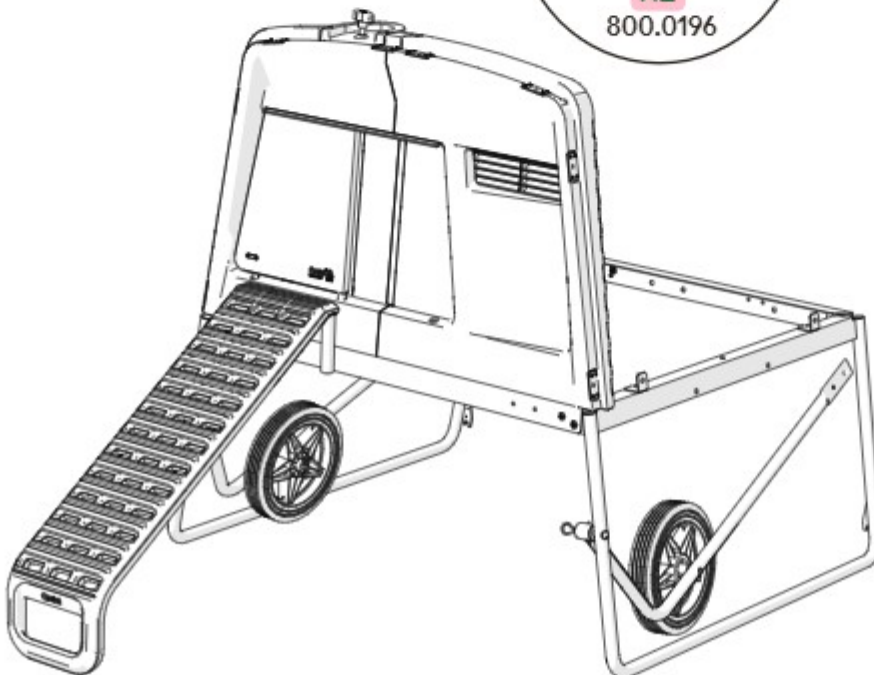


Mighty Clip B
810.0184

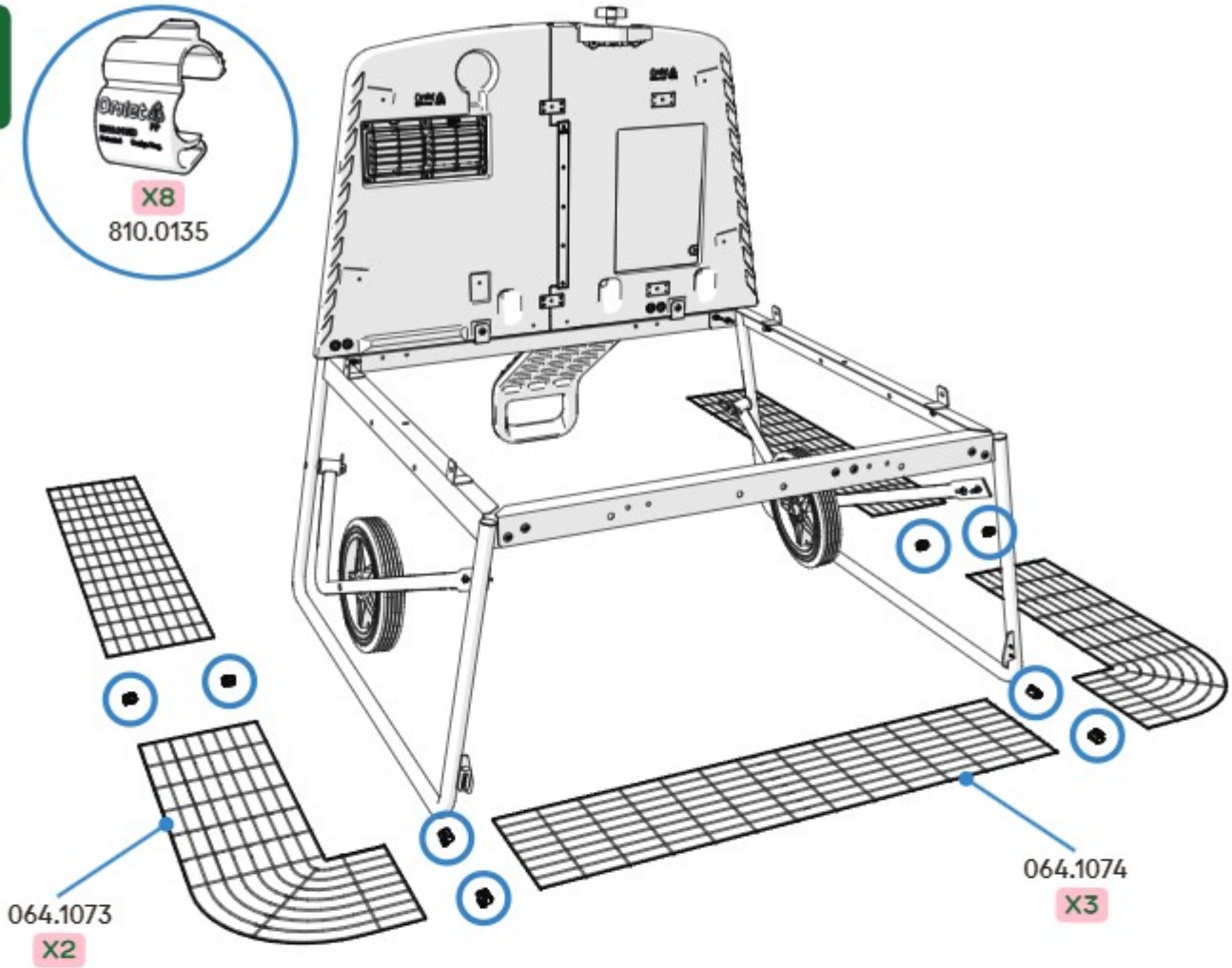
You will need...



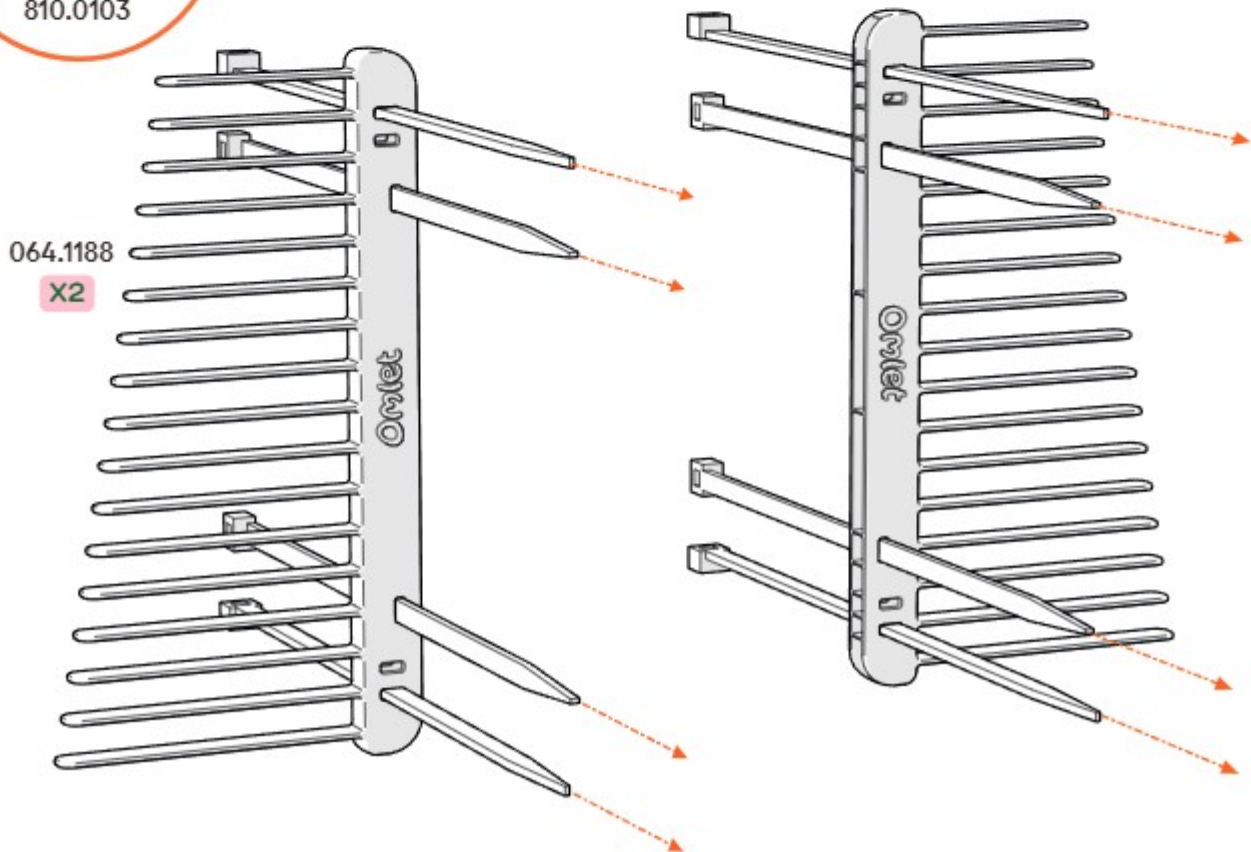
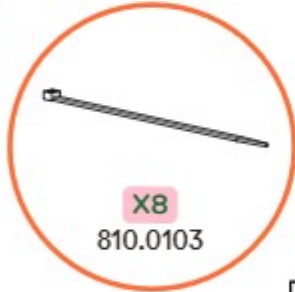
Keep the parts safe until Step 7



1

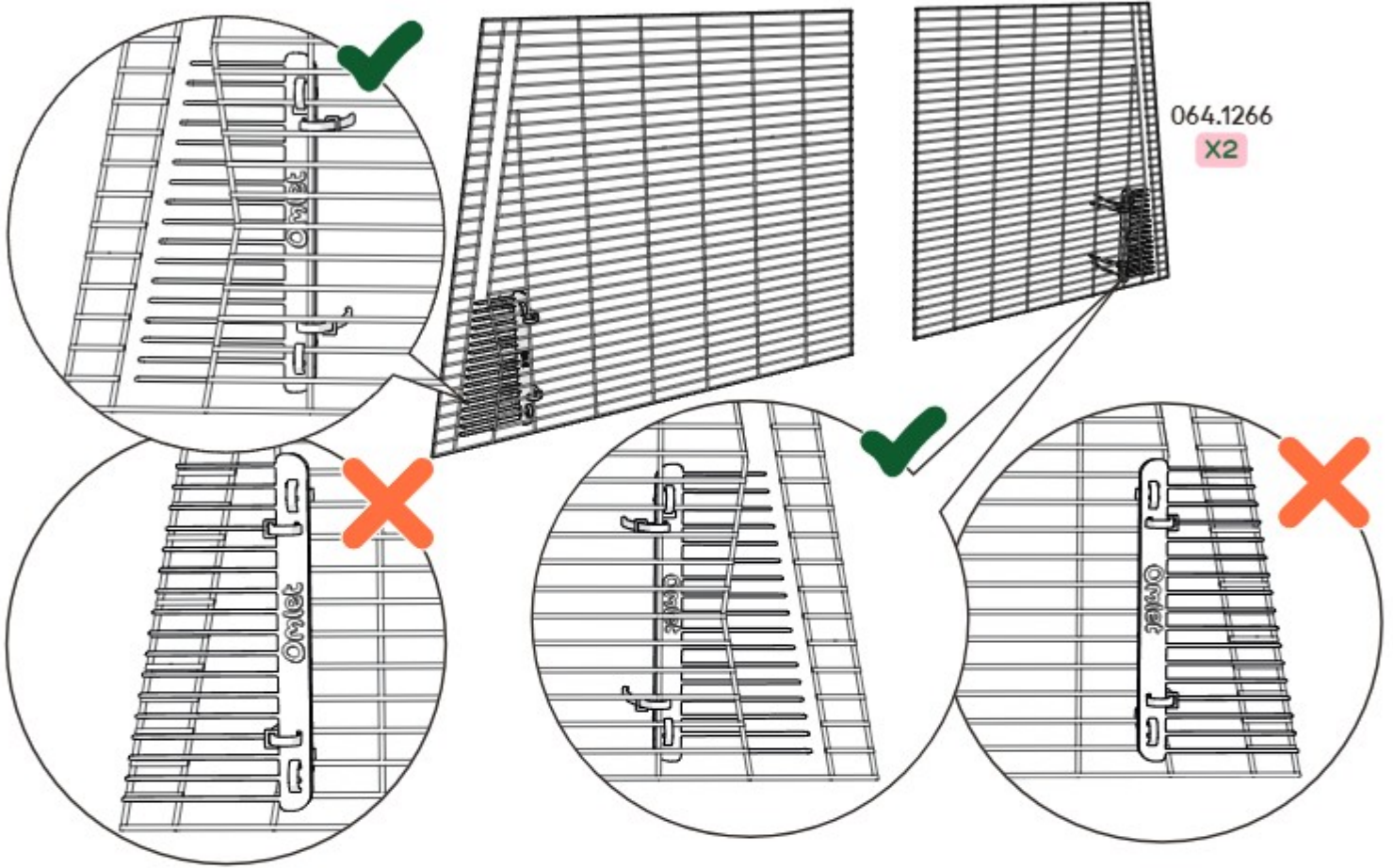


2

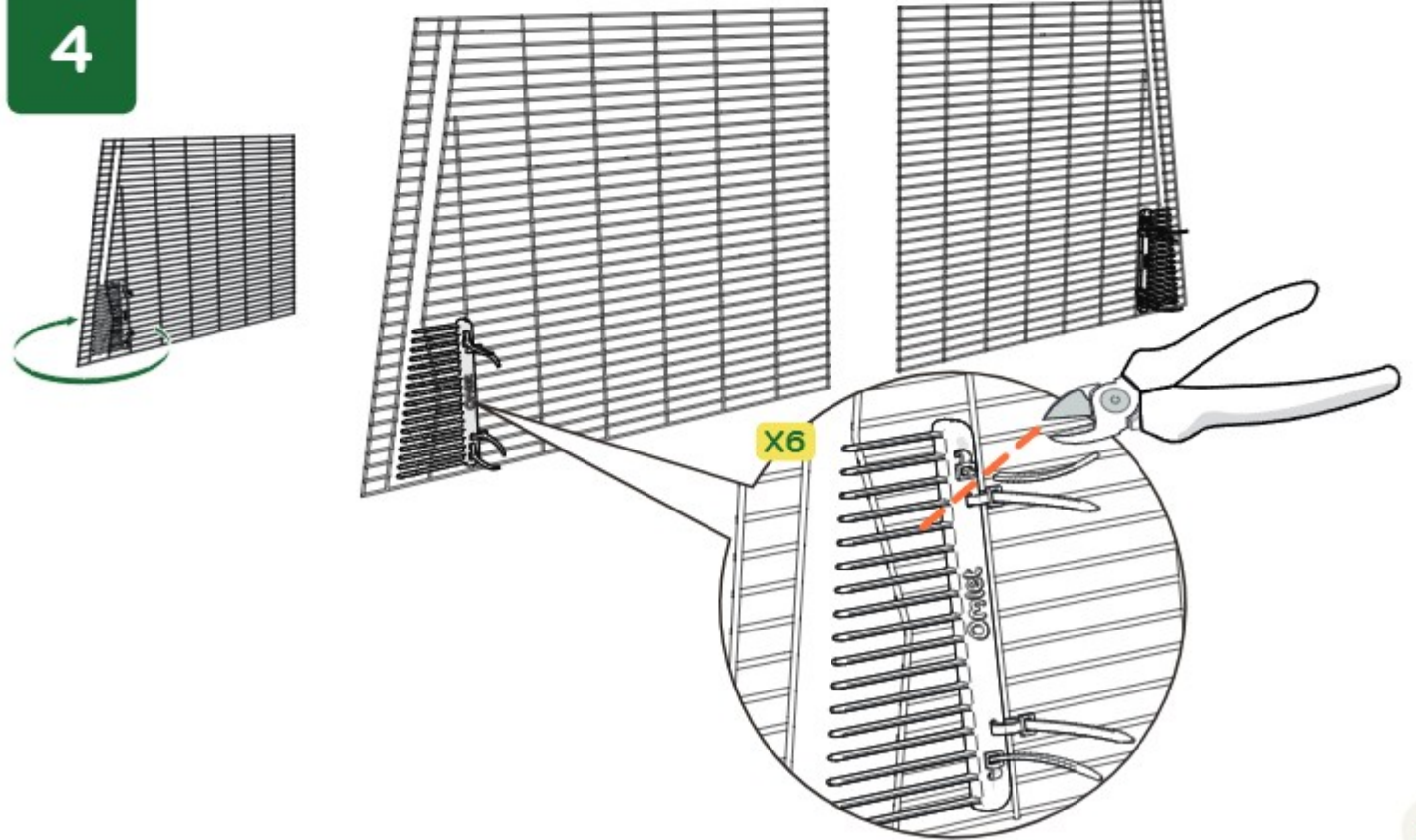


3

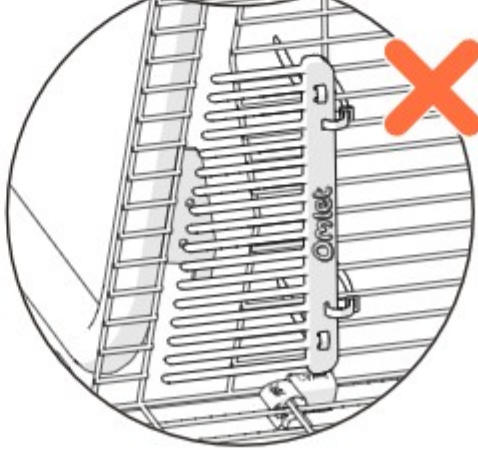
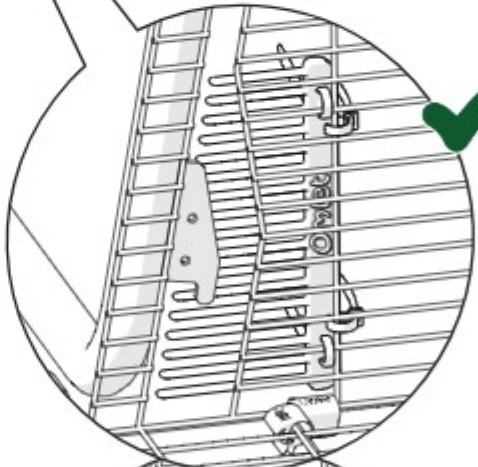
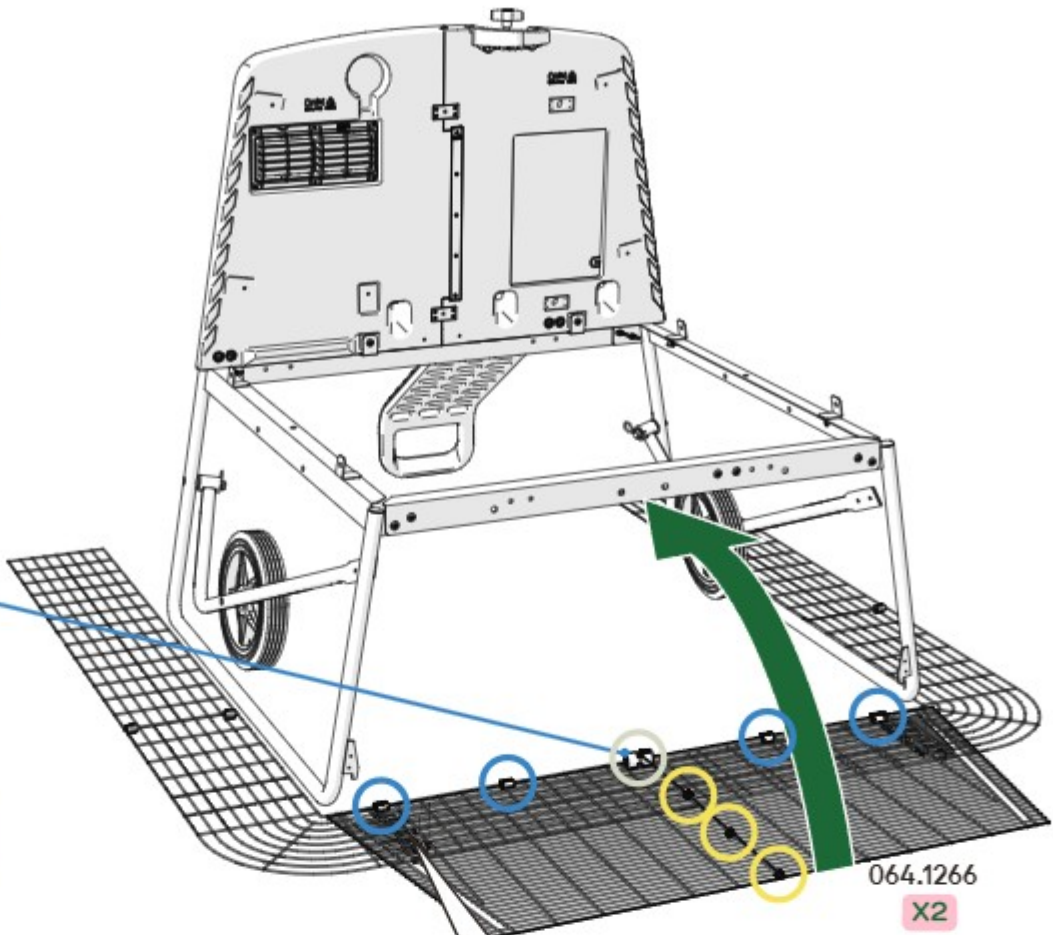
Thread all cable ties through loosely first, then tighten.



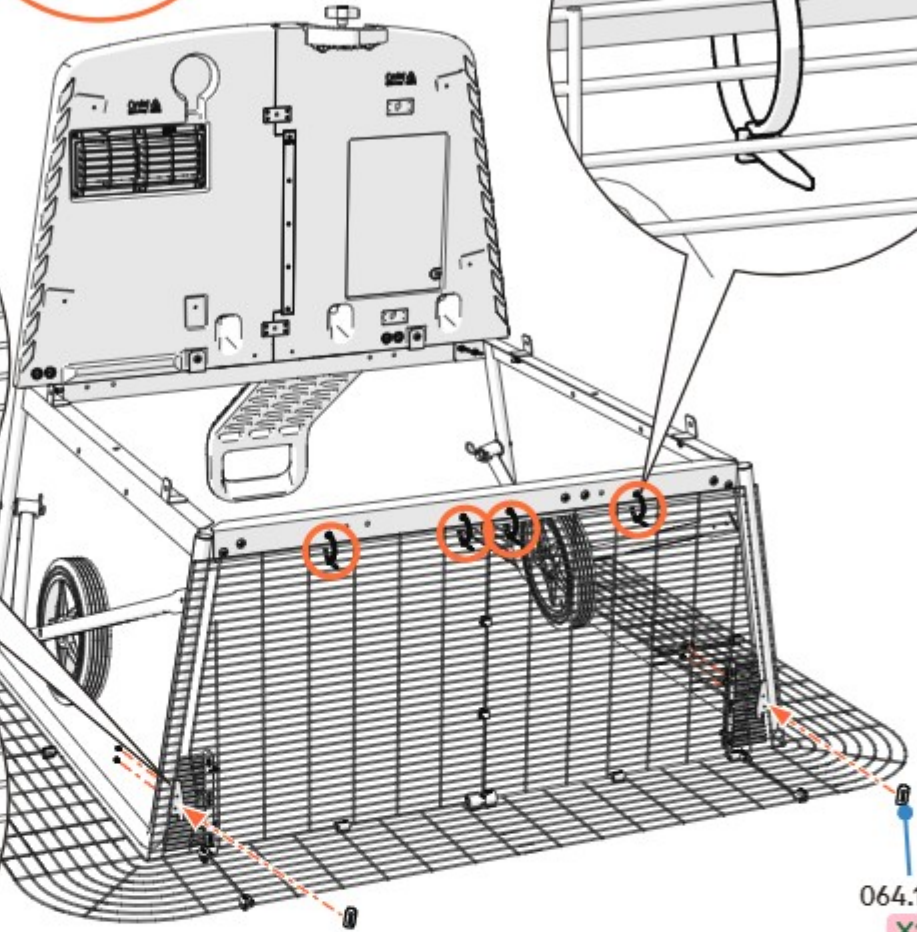
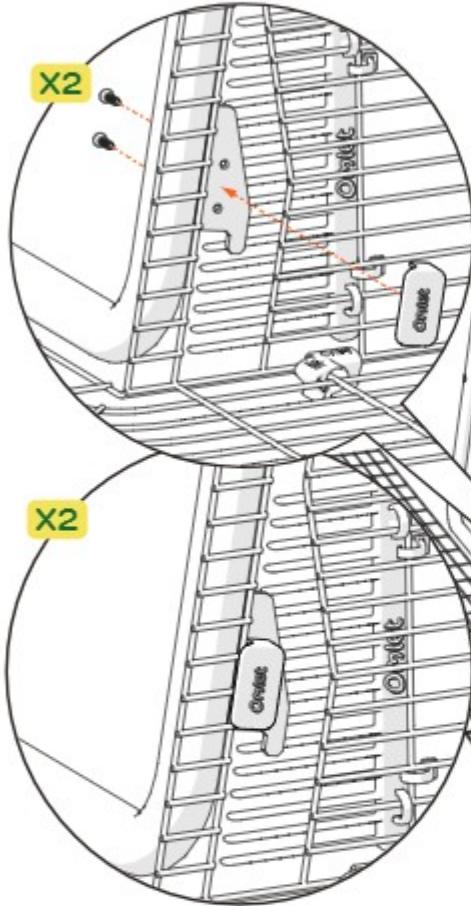
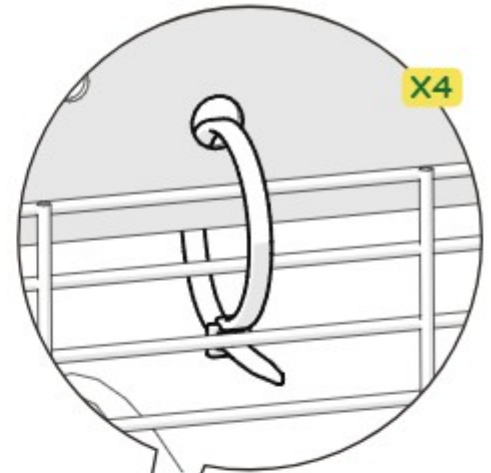
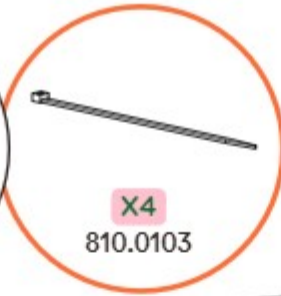
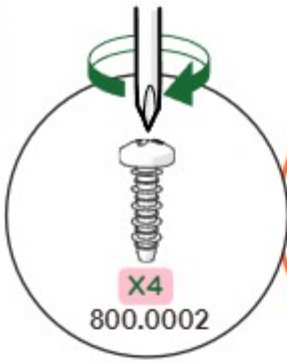
4



5



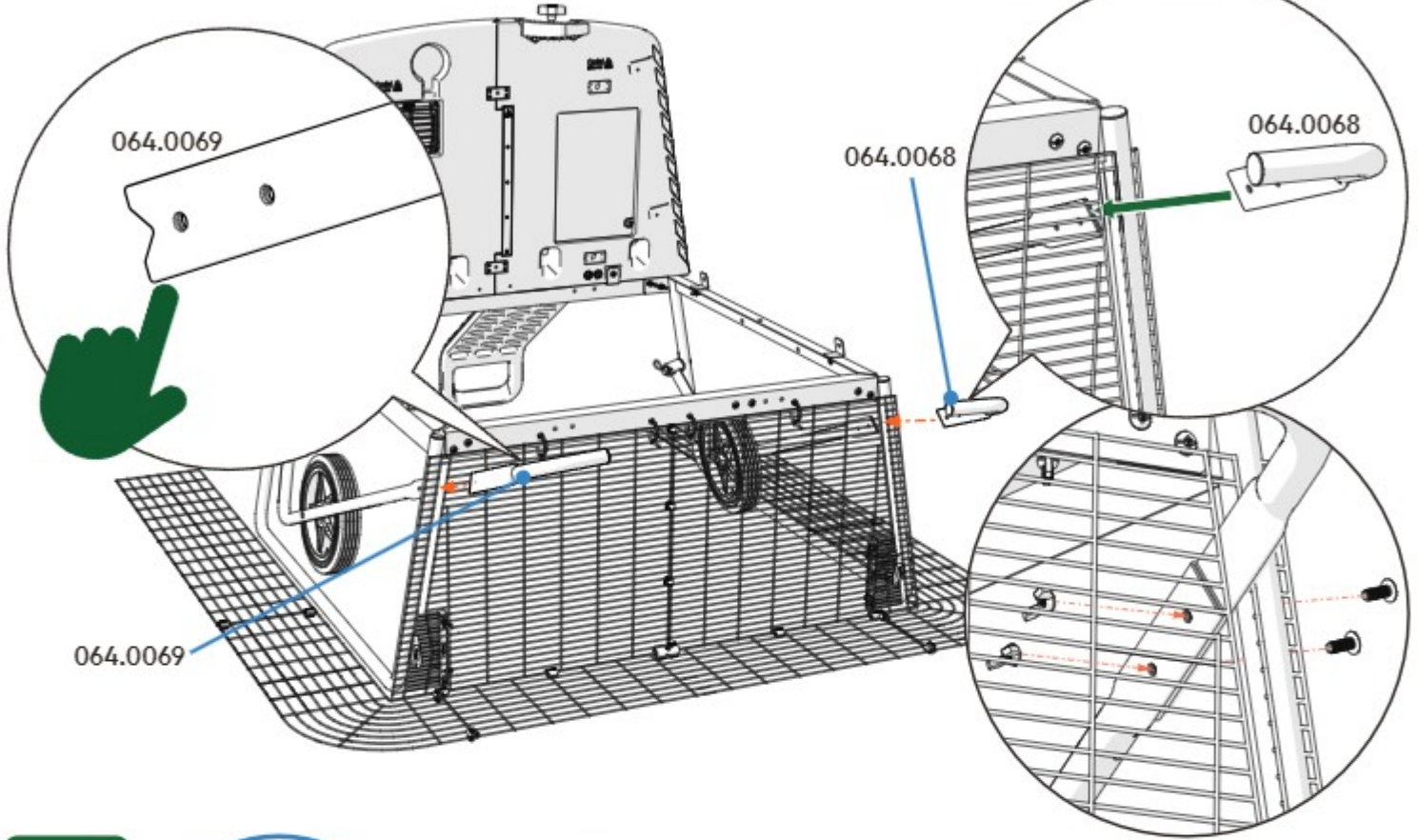
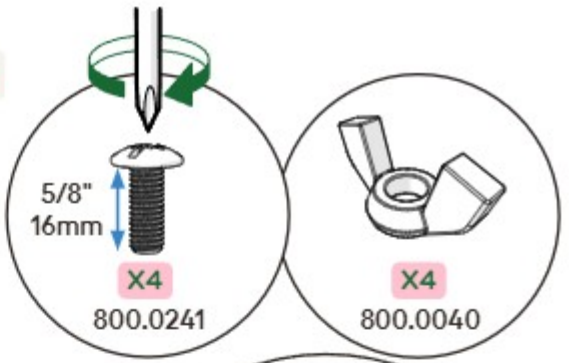
6



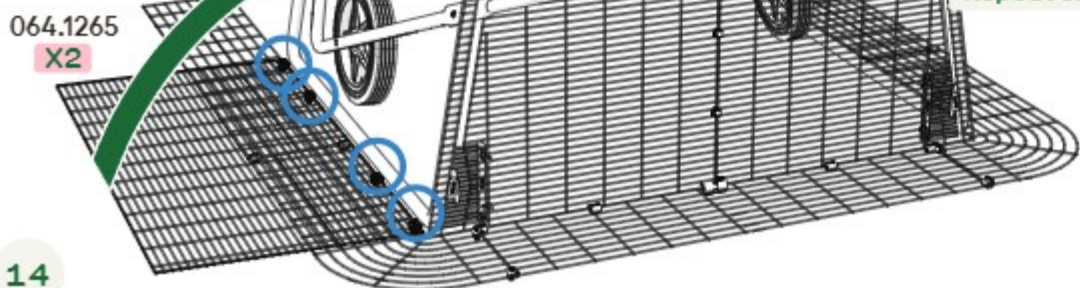
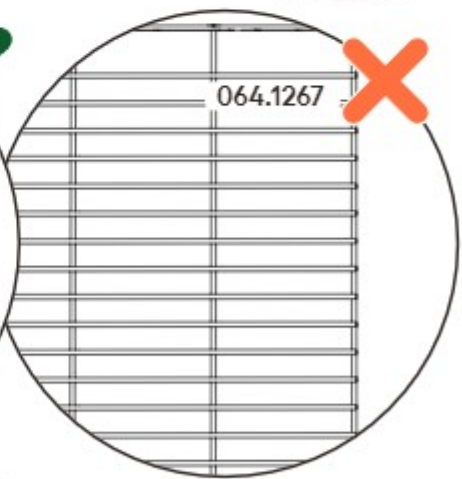
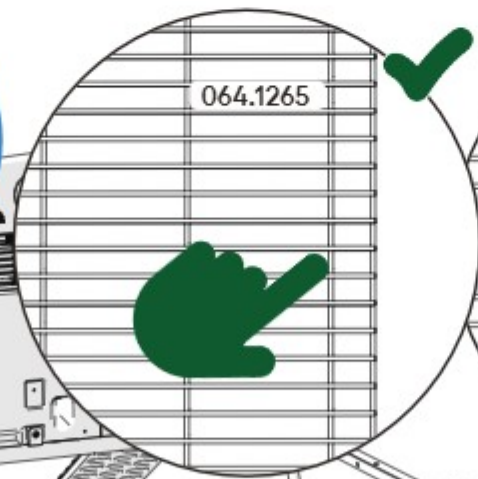
These parts came with the frame - If you don't have them, spares are available online.

7

If you don't have wheels please ignore them.



8



Repeat on other side



9

11mm

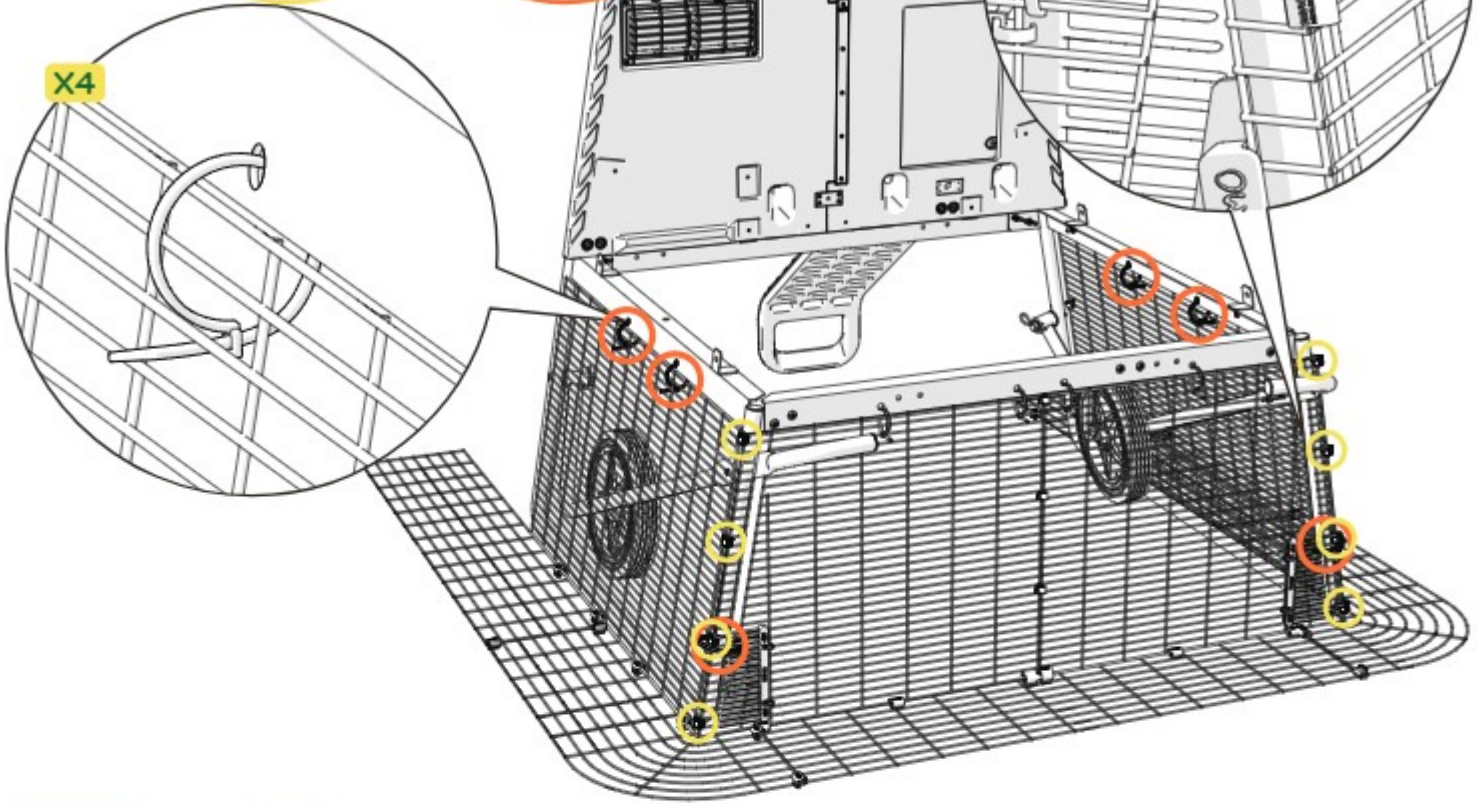


X8
810.0184



X6
800.0103

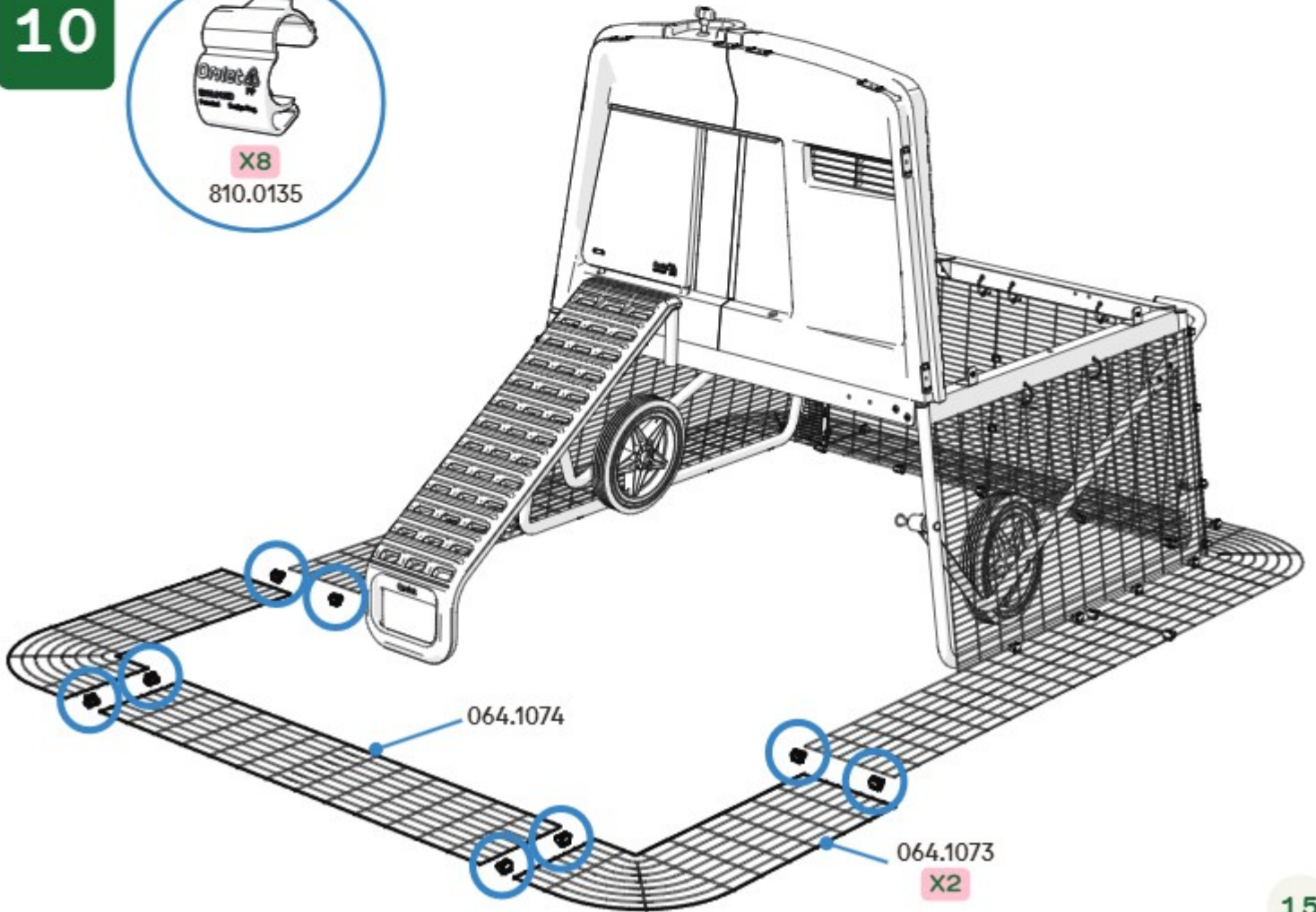
X2



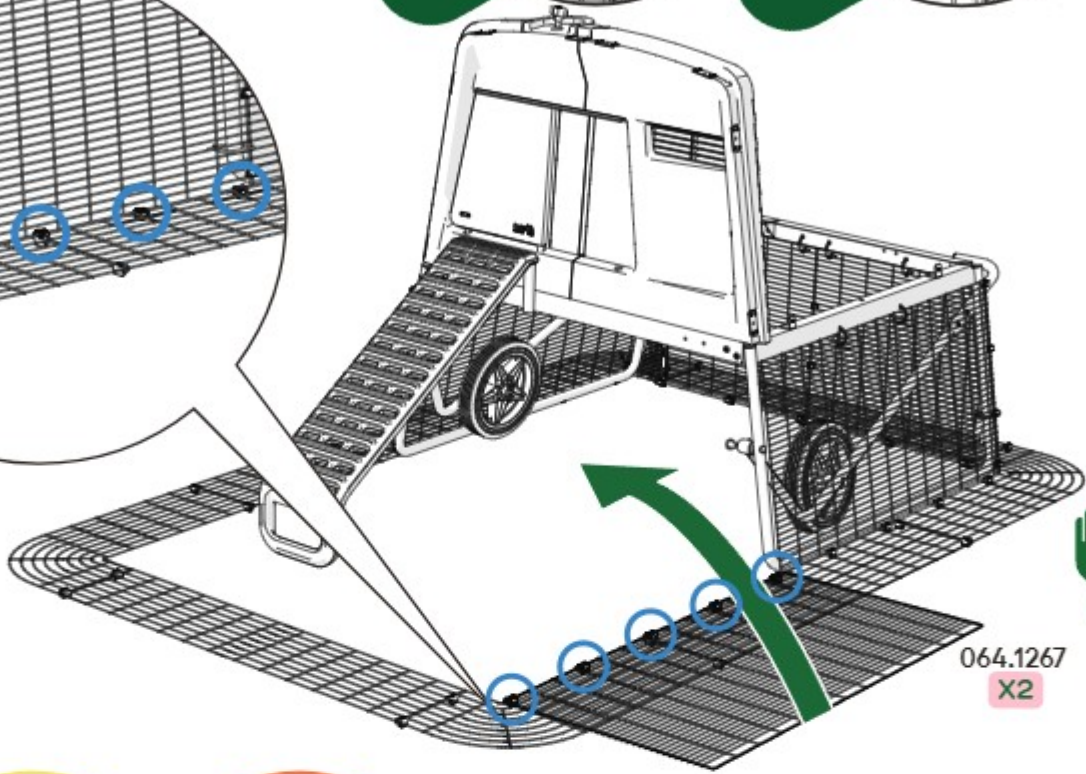
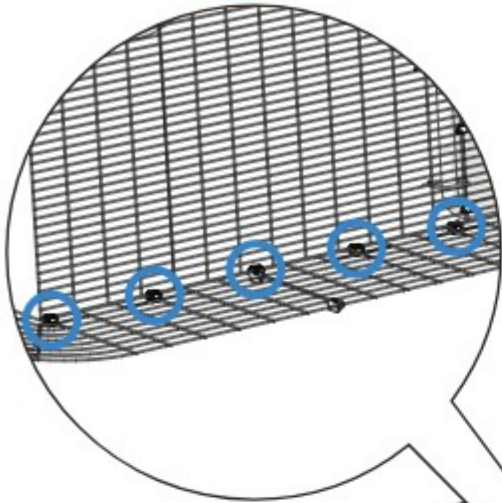
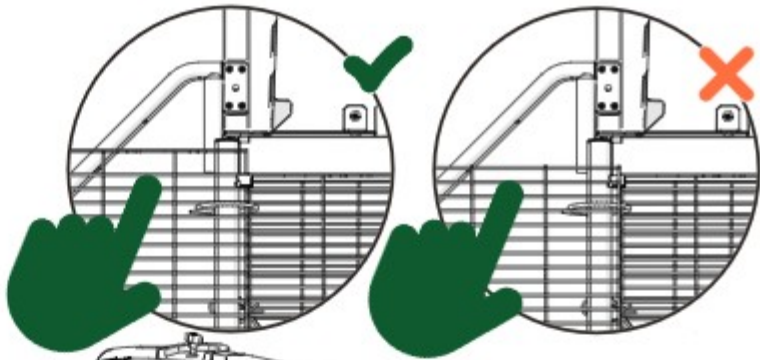
10



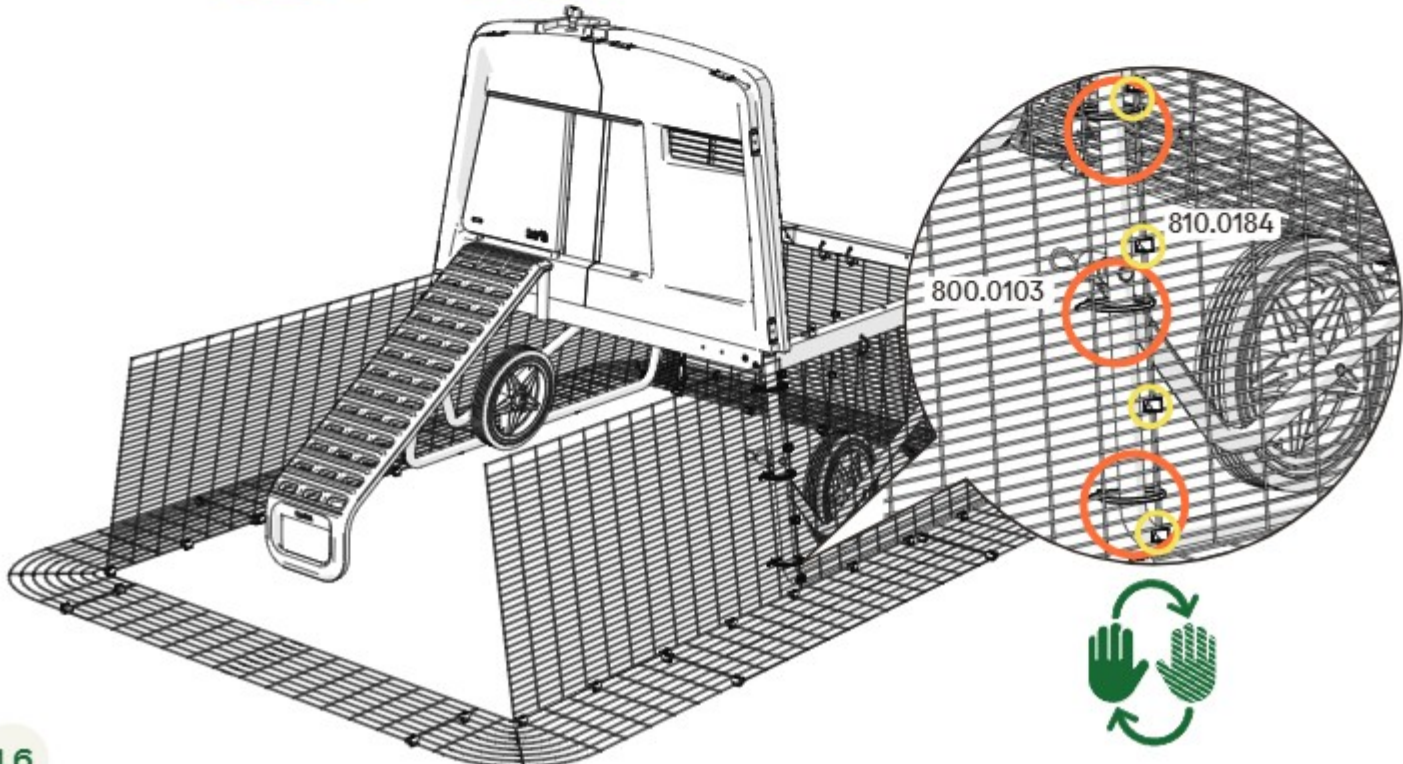
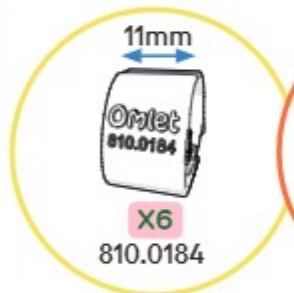
X8
810.0135



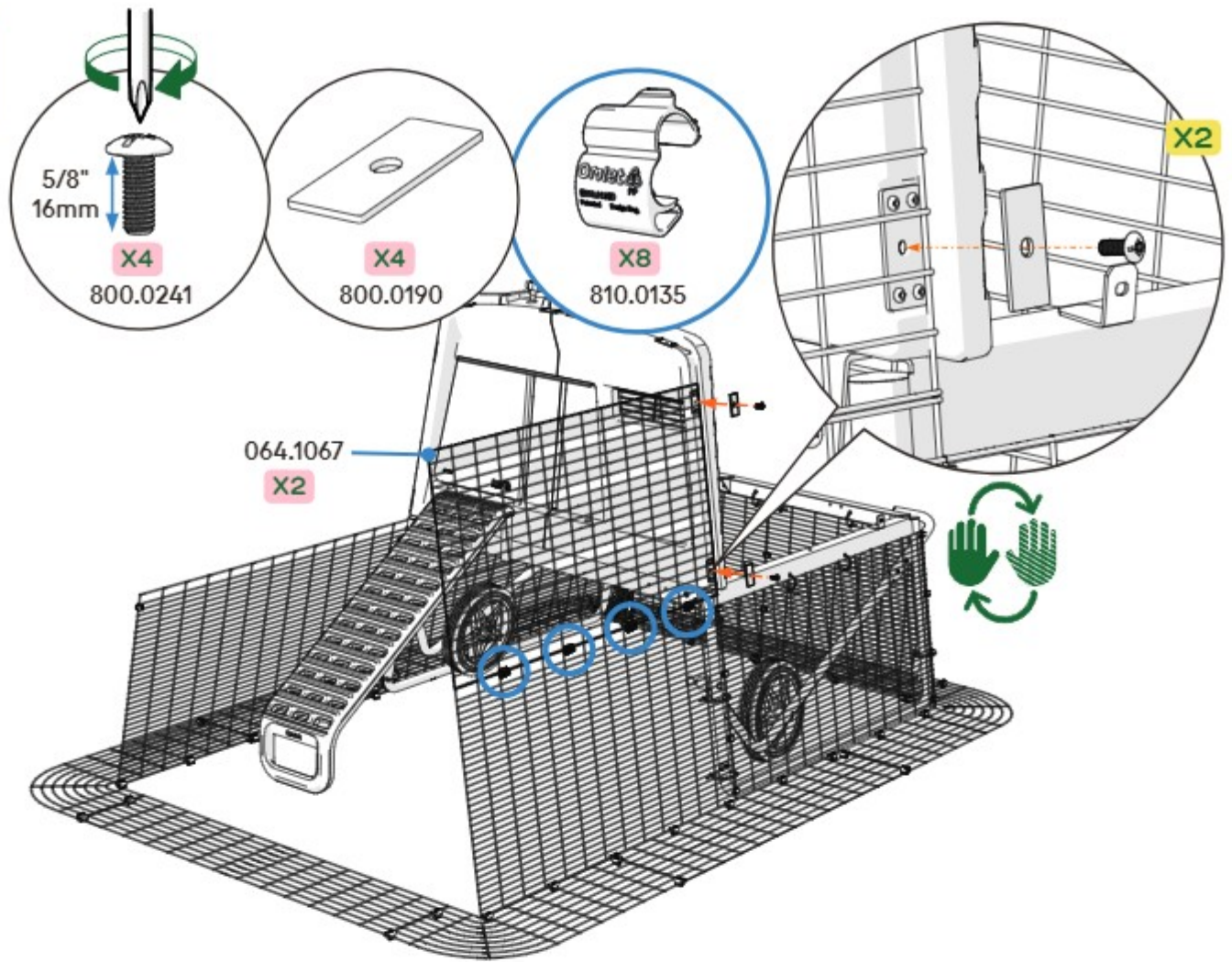
11



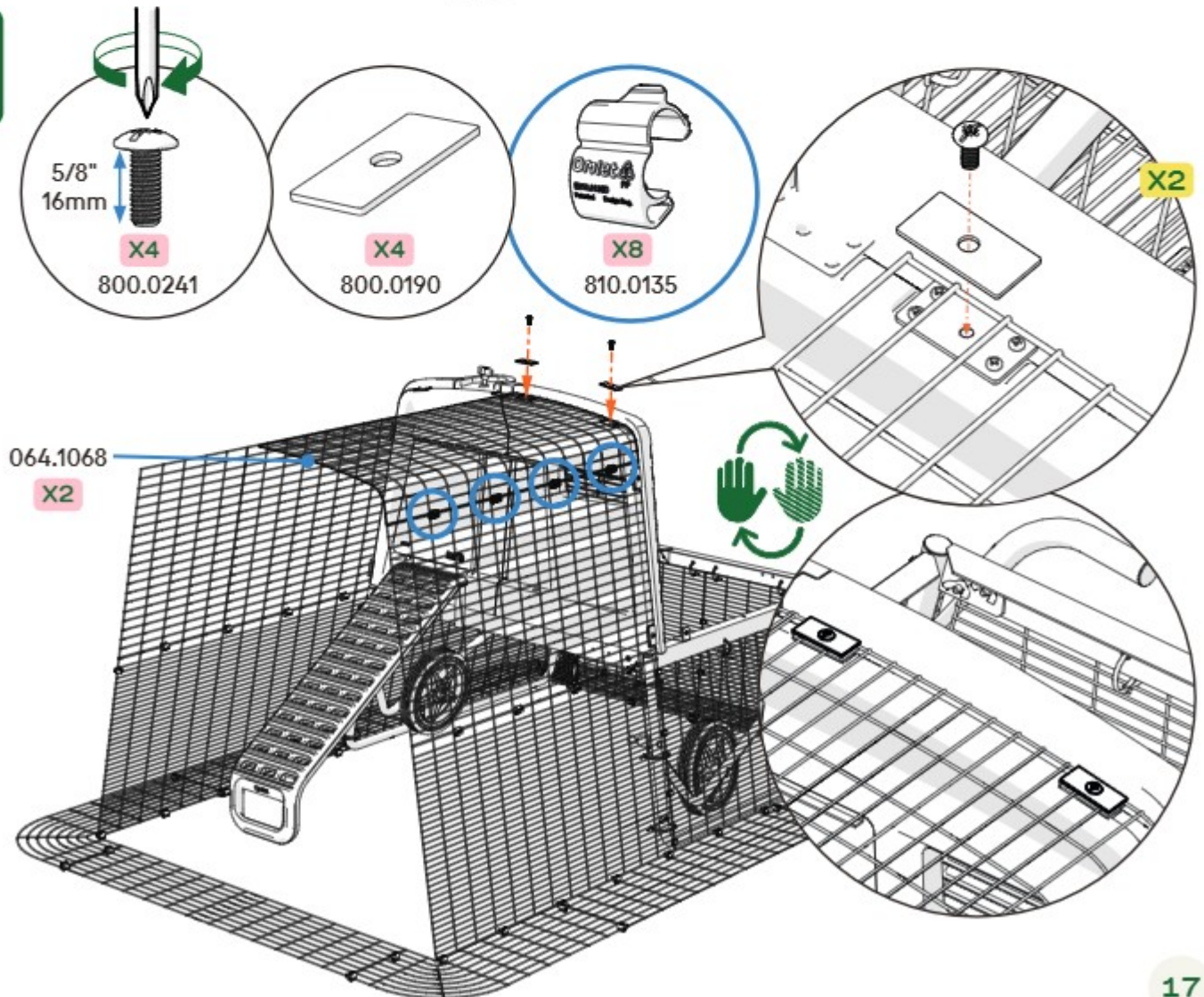
12



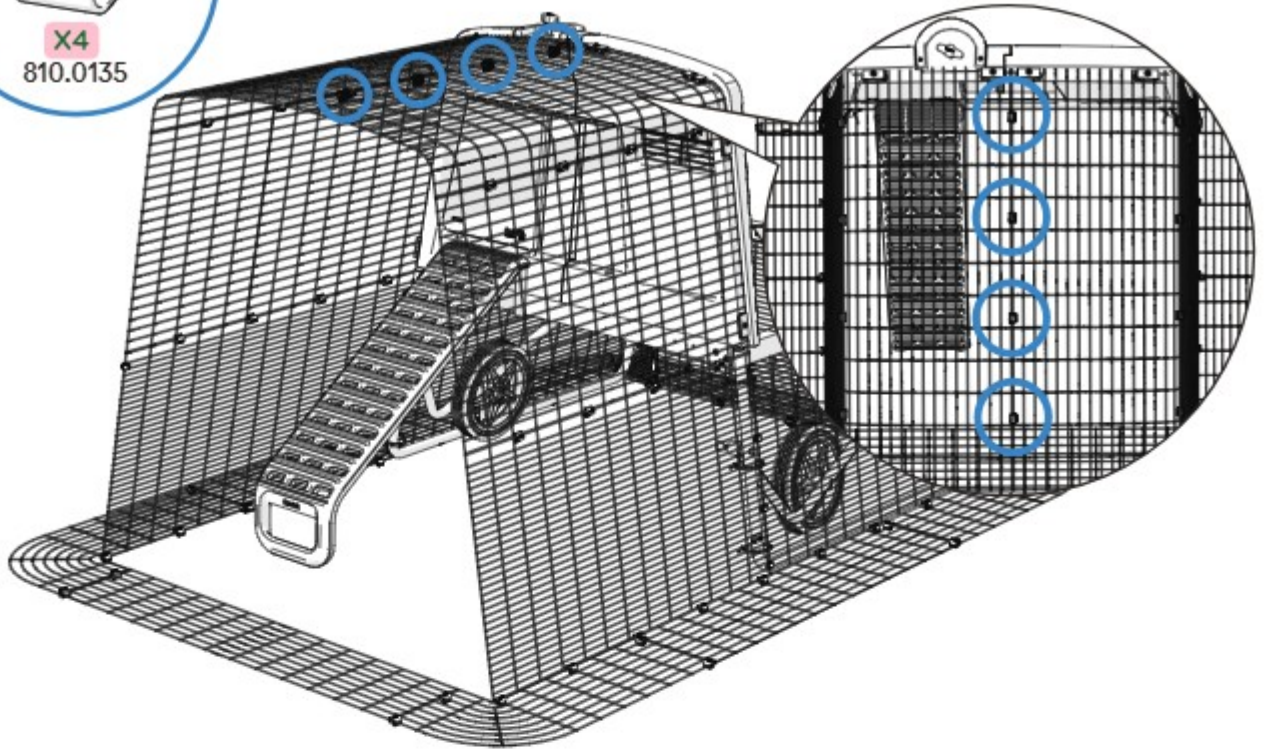
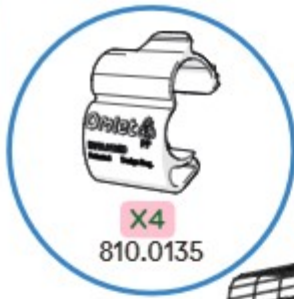
13




14

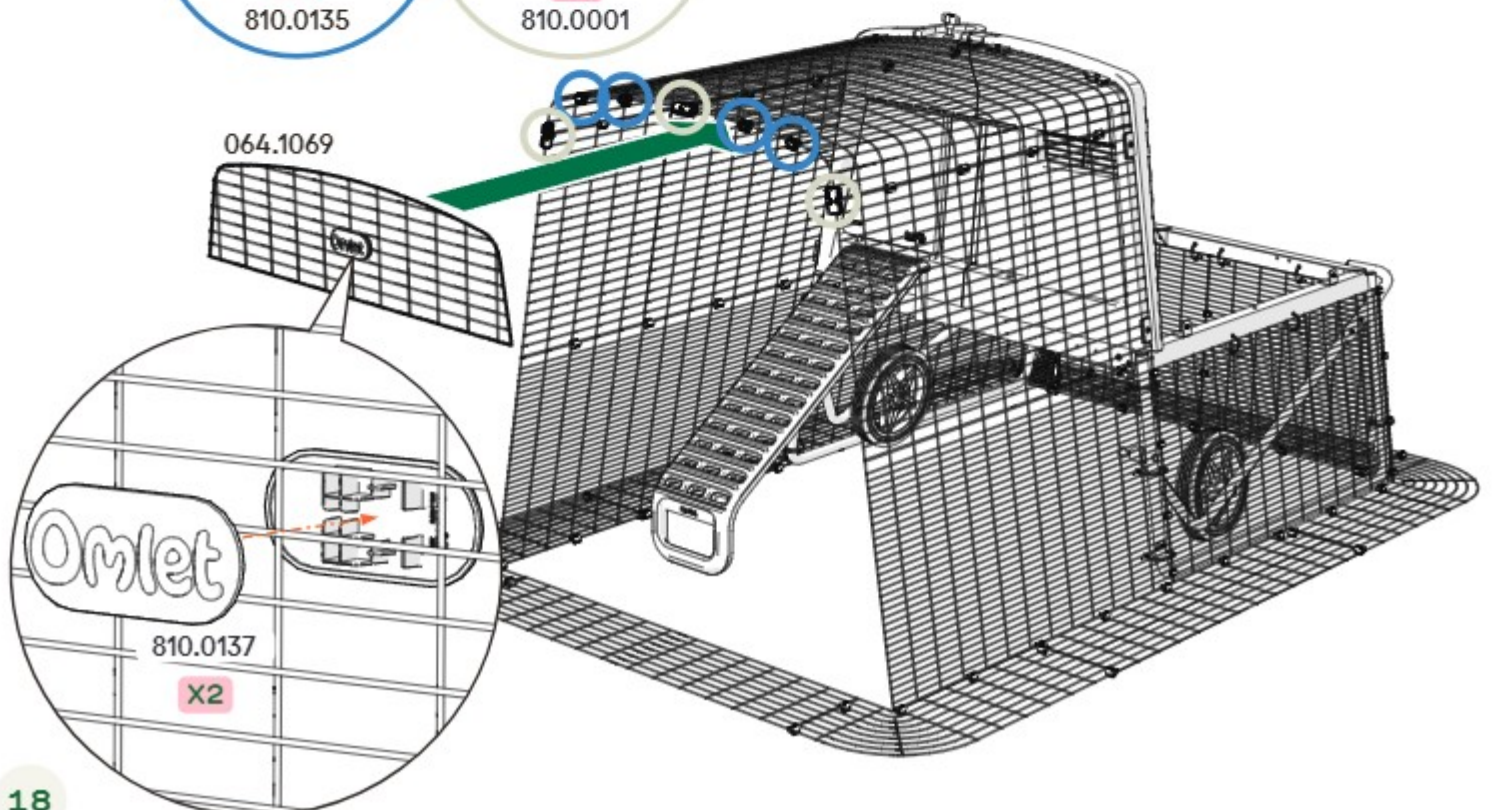
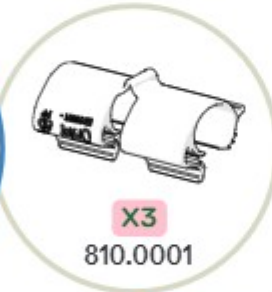


15



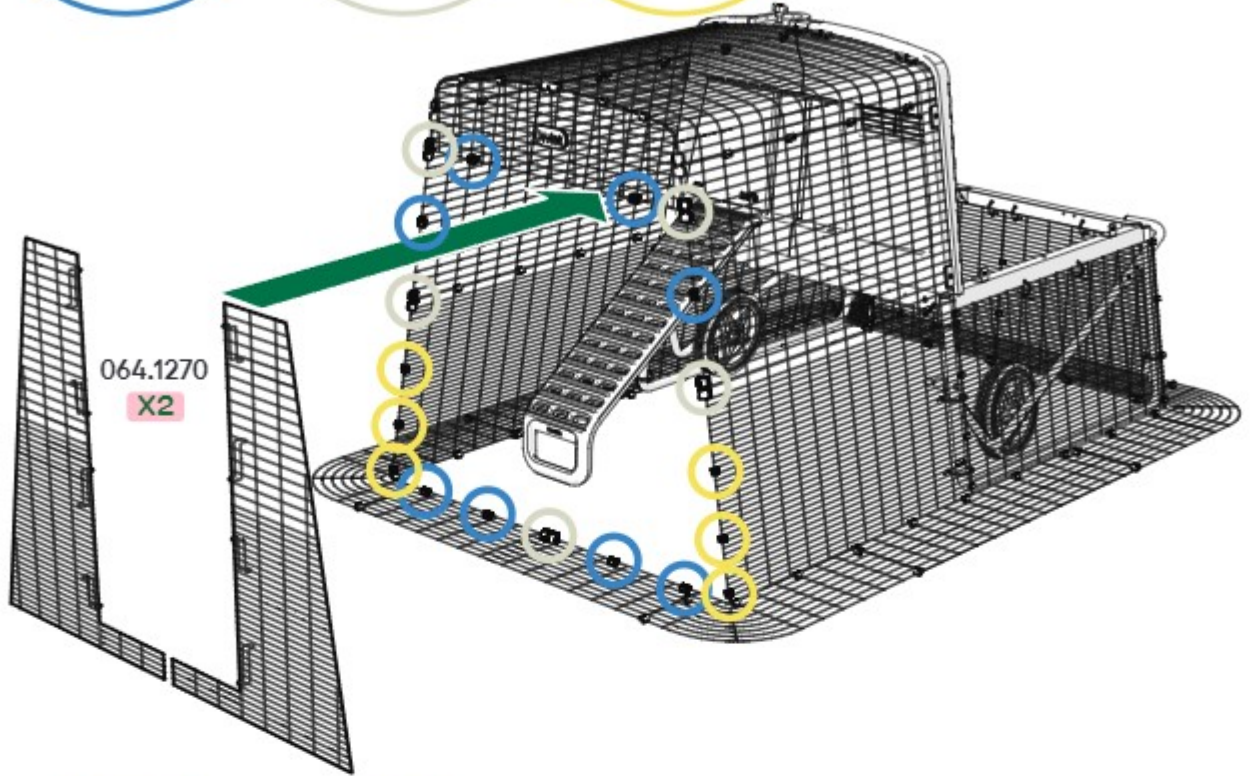
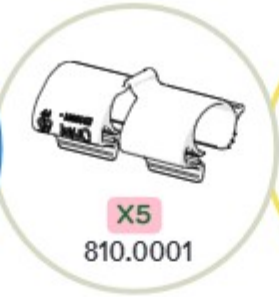
If you have any run extensions or an Easy Access Run Door please refer to those instructions now. 

16

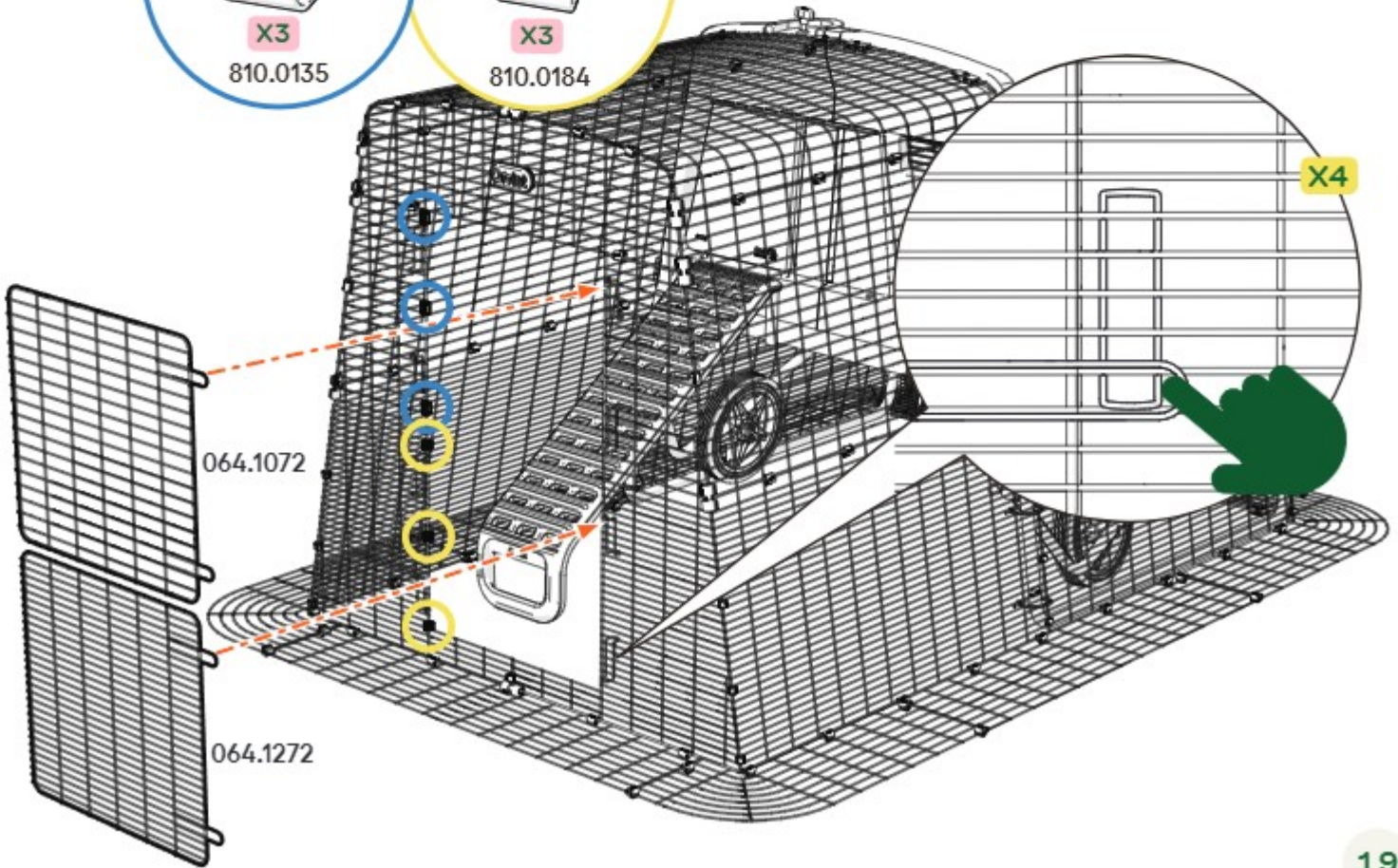
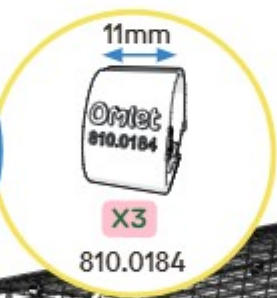


18

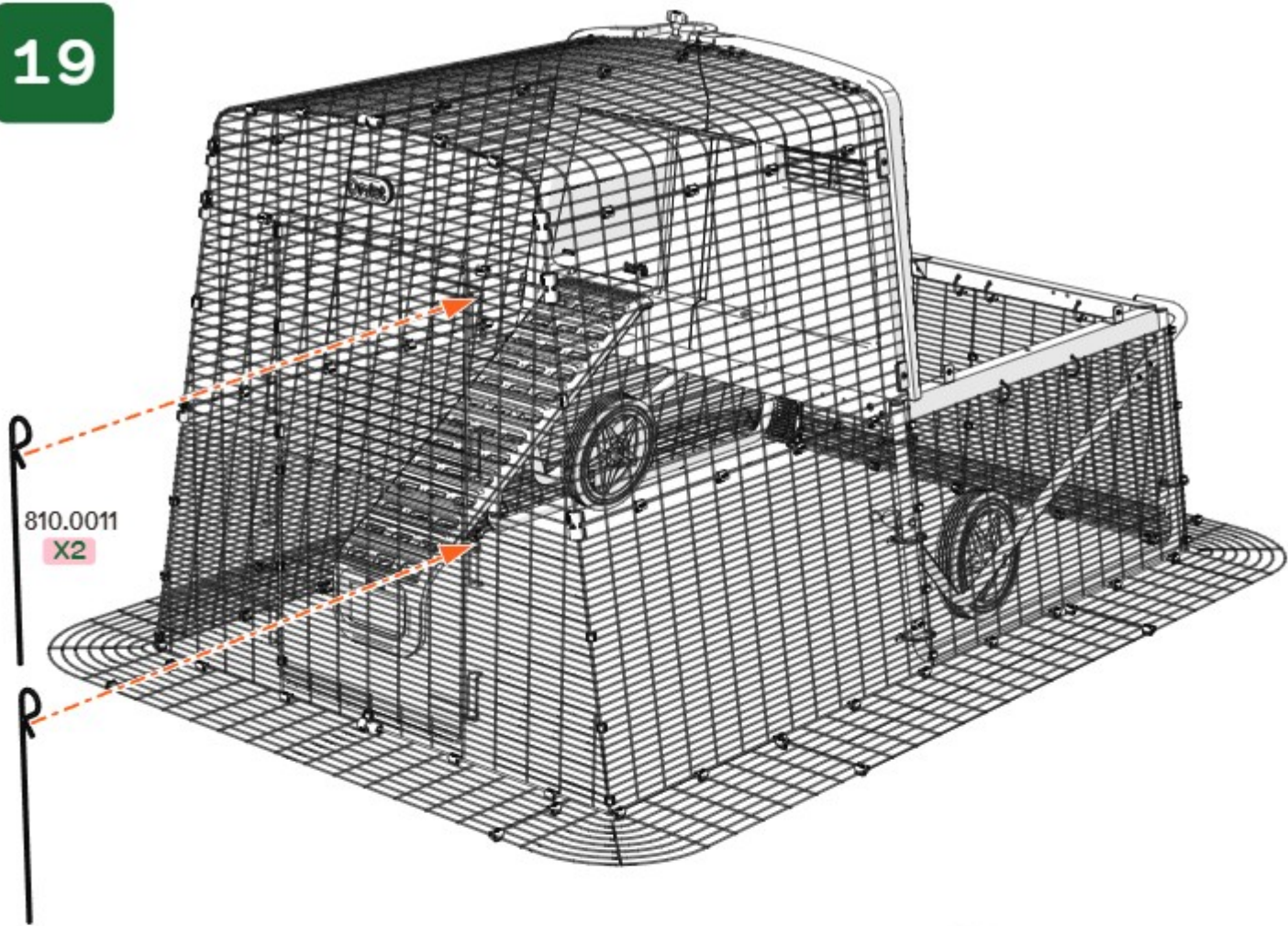
17



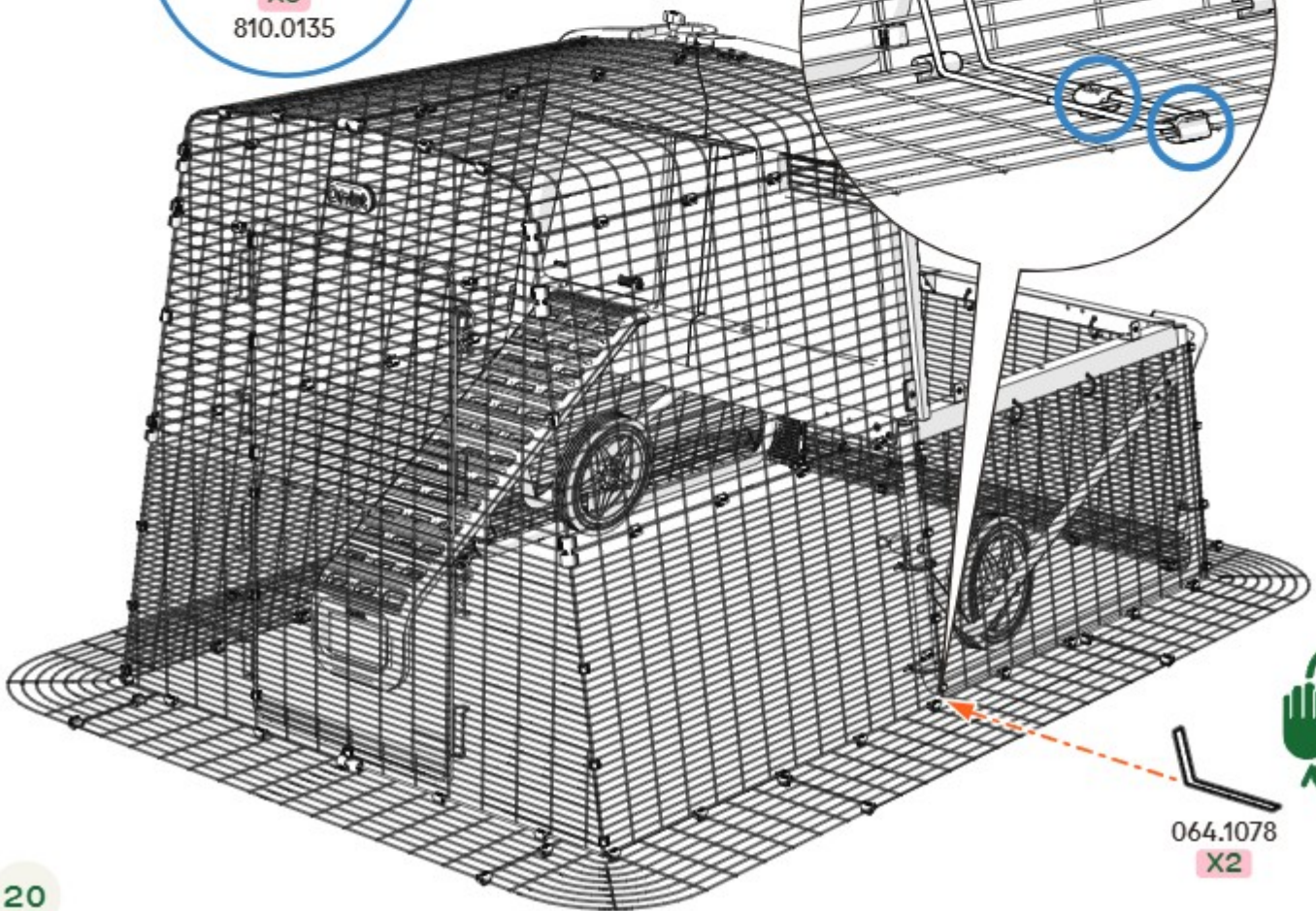
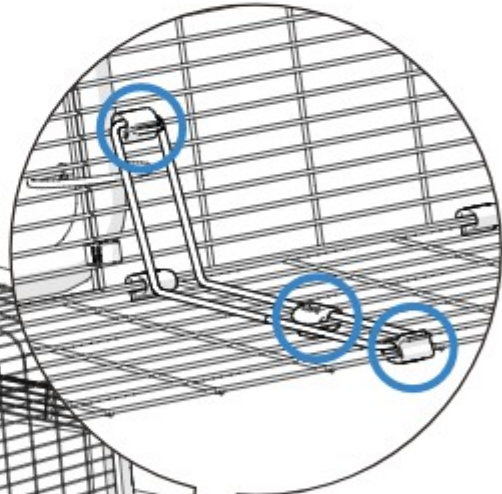
18



19

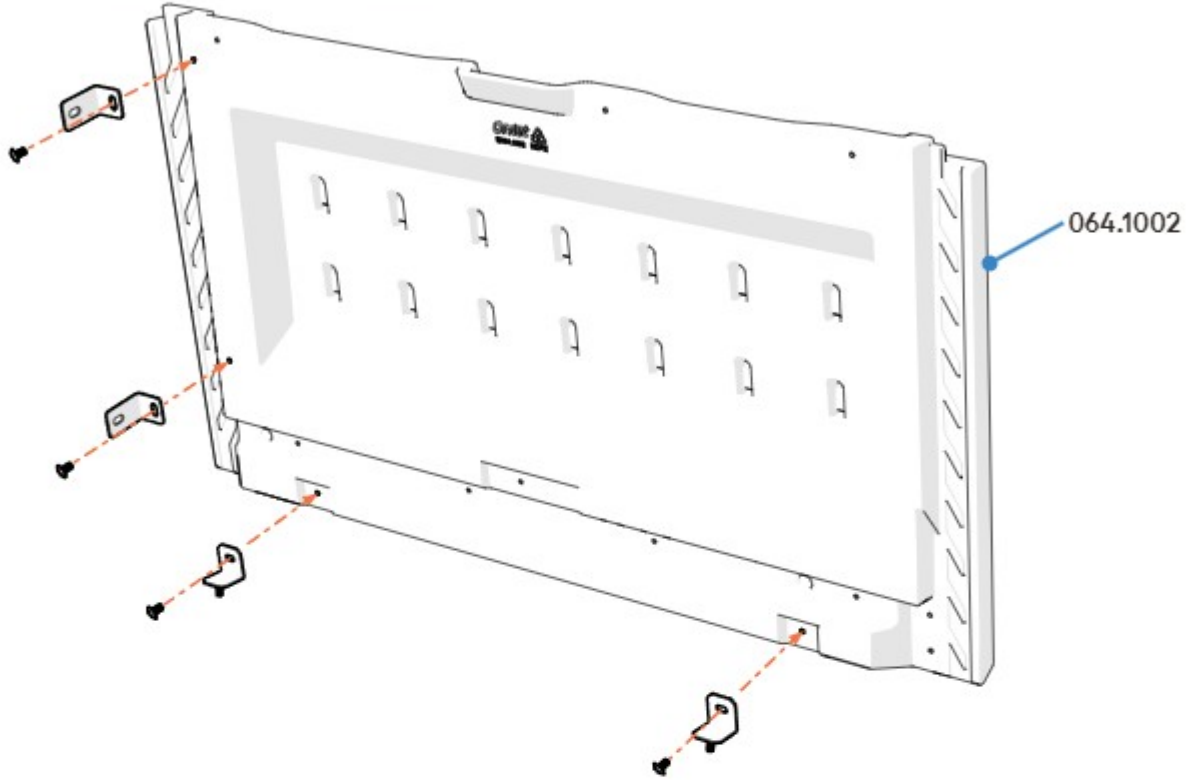
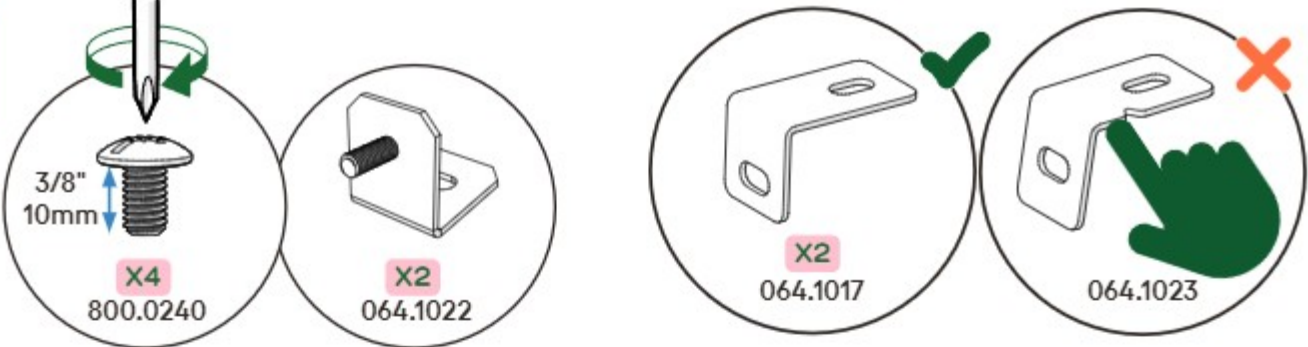


20

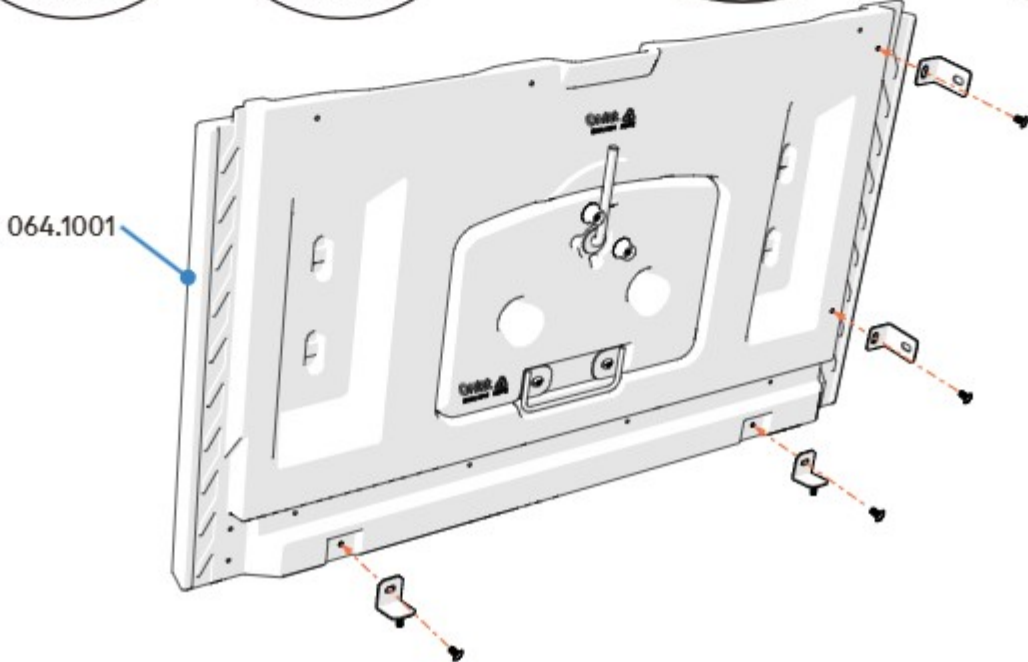
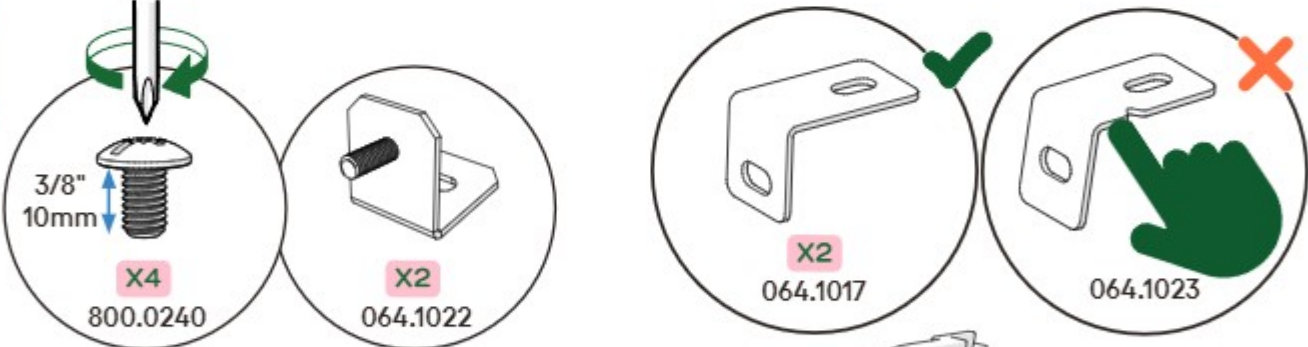


20

21

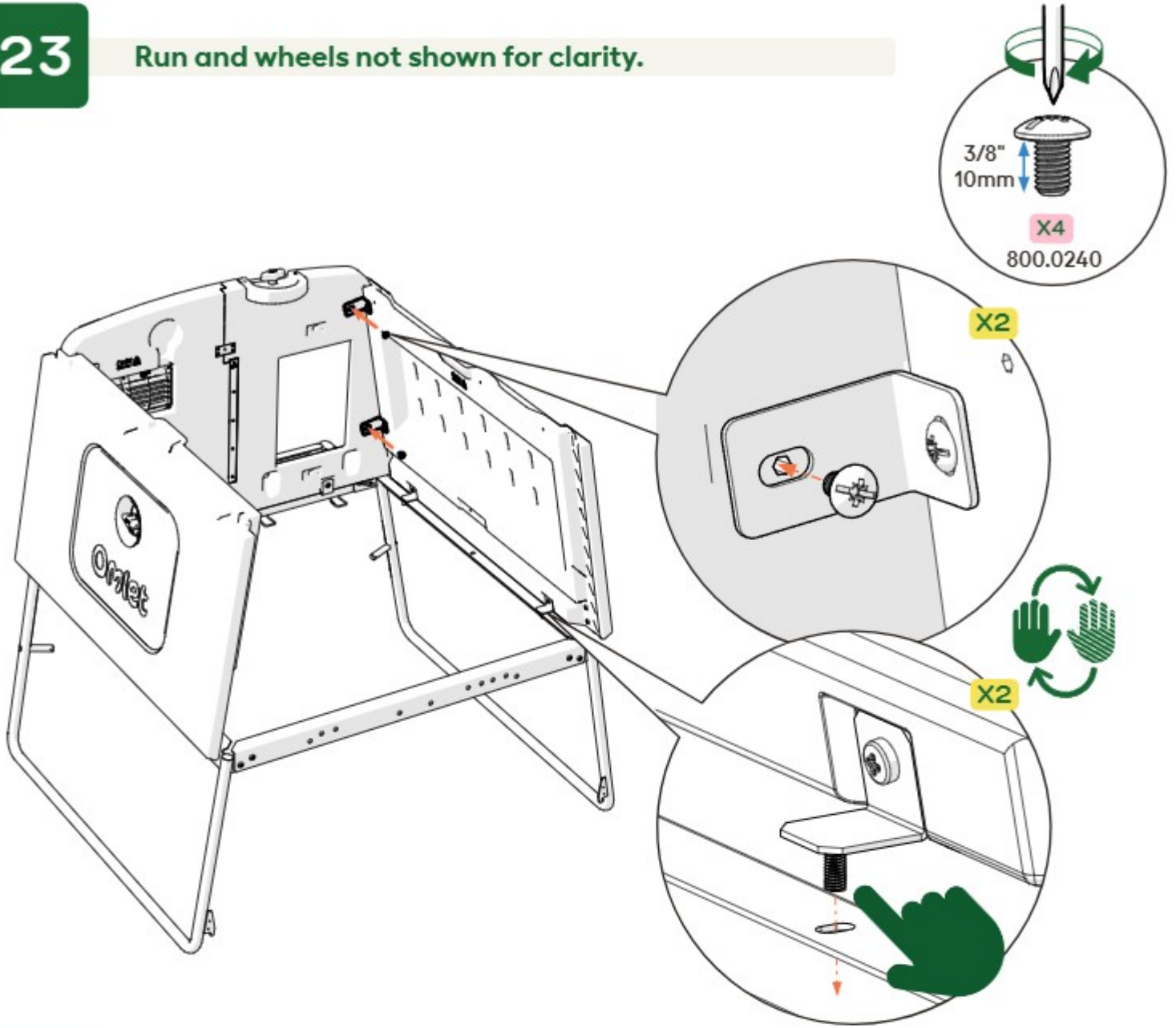


22

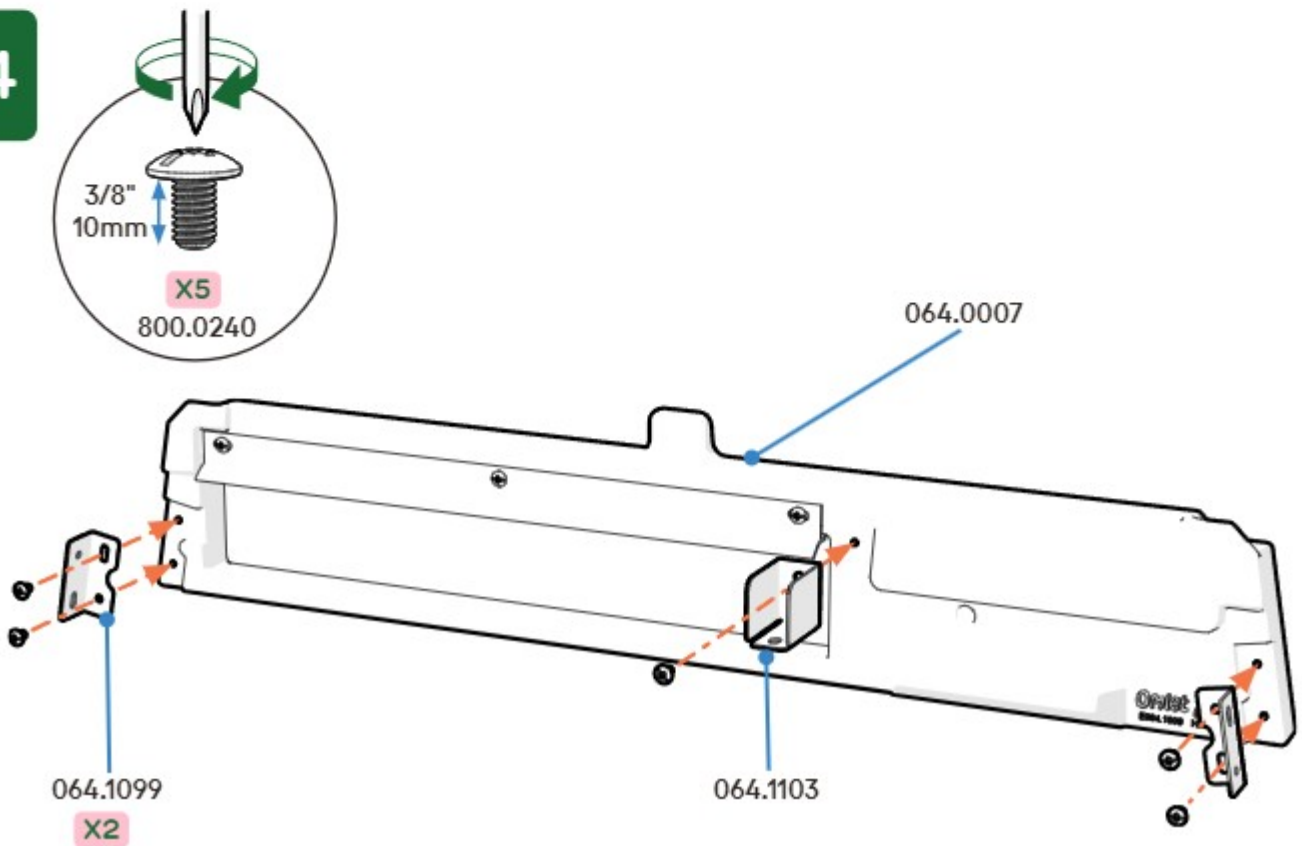


23

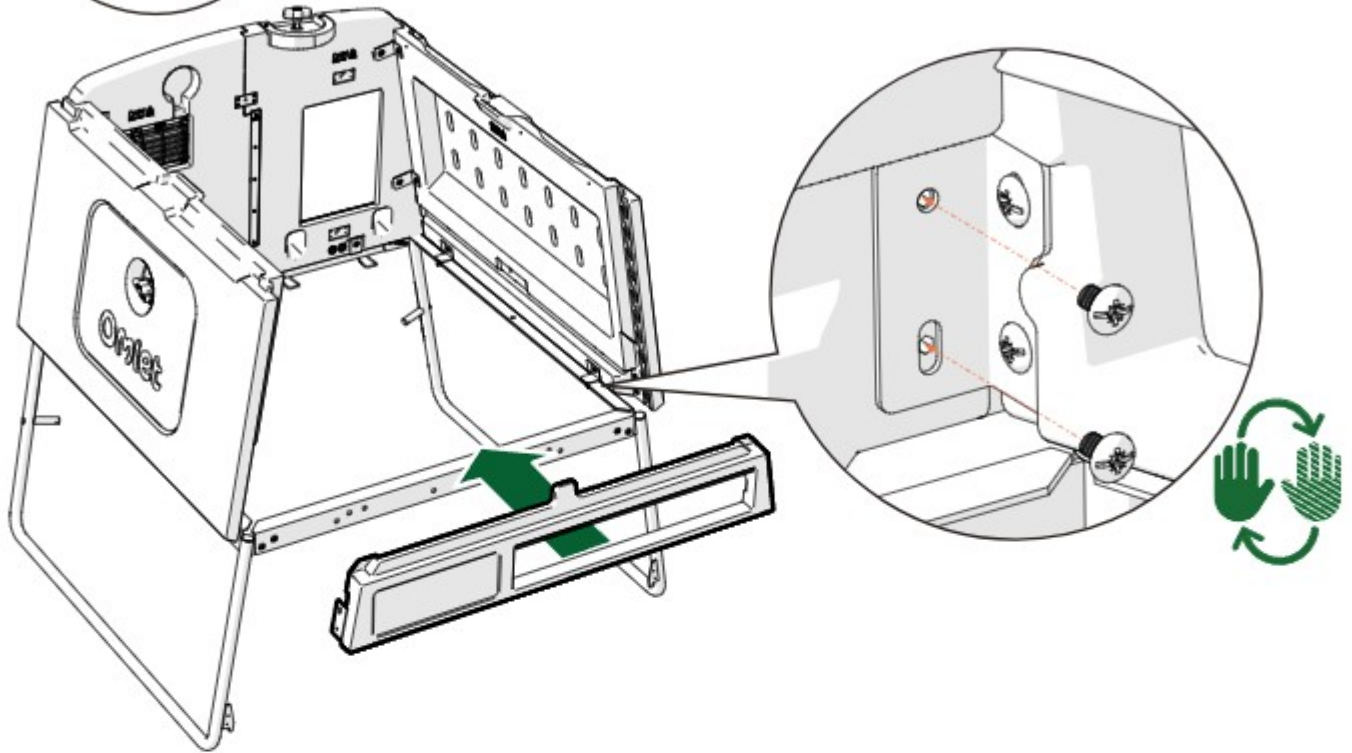
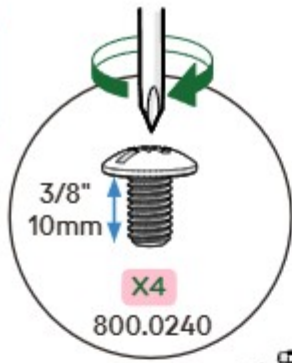
Run and wheels not shown for clarity.



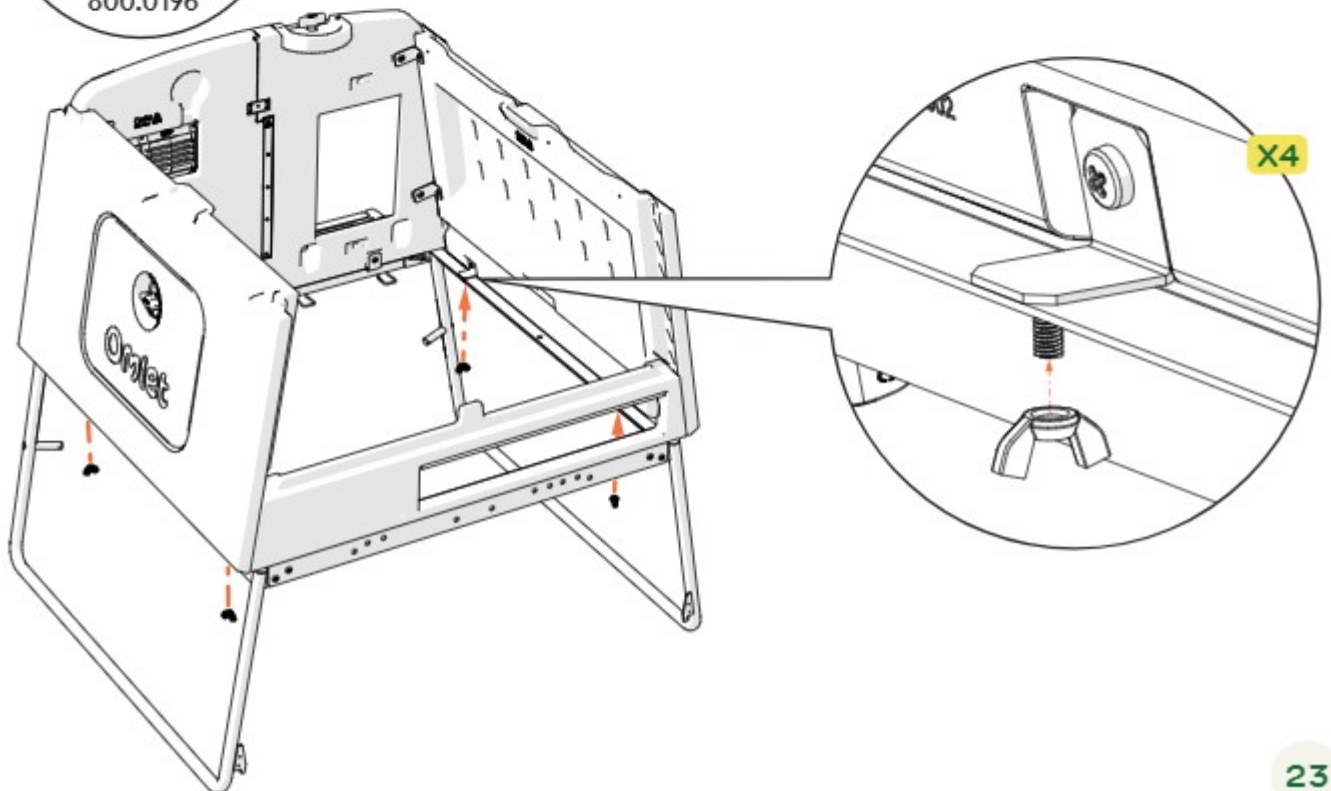
24



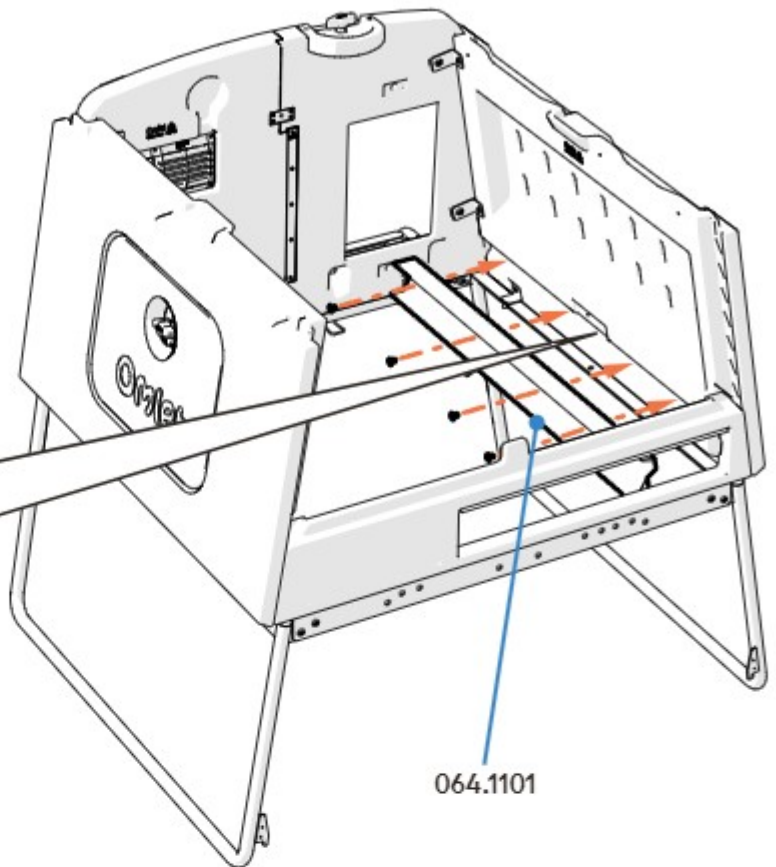
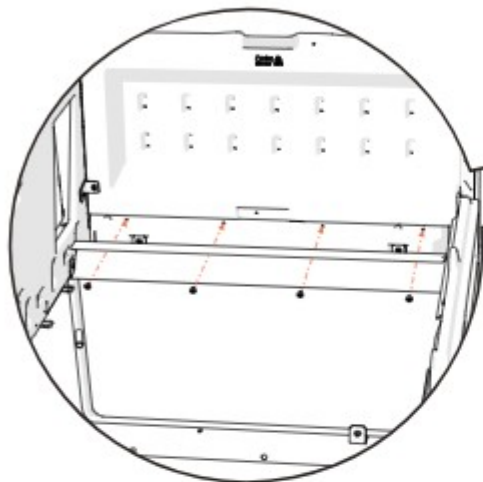
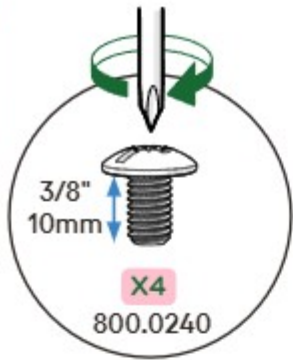
25



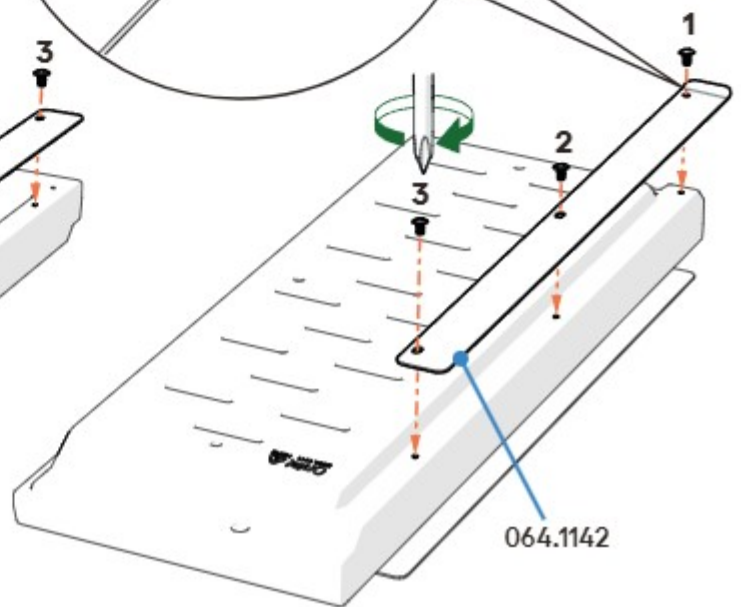
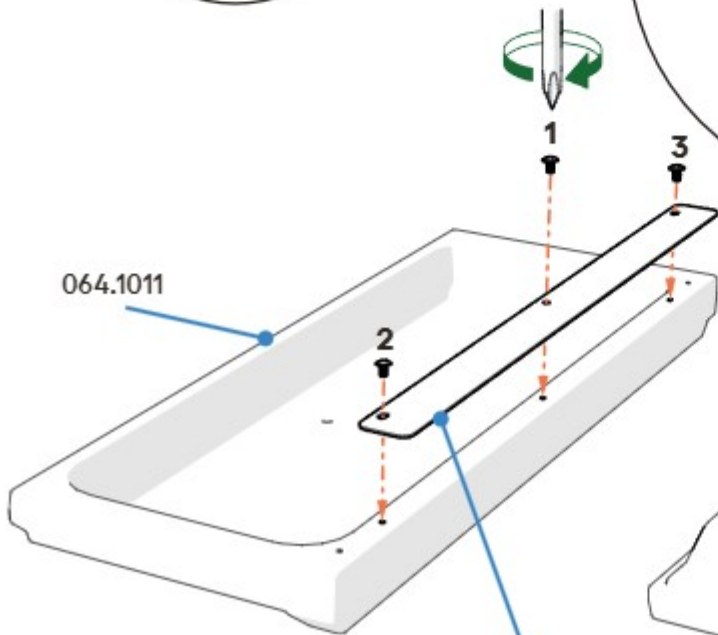
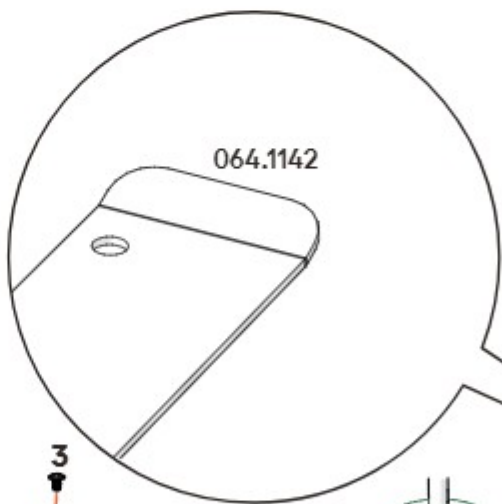
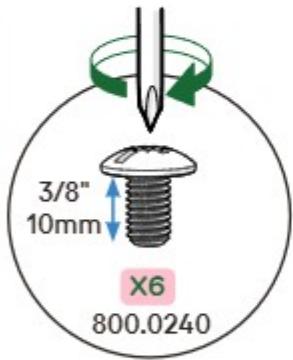
26



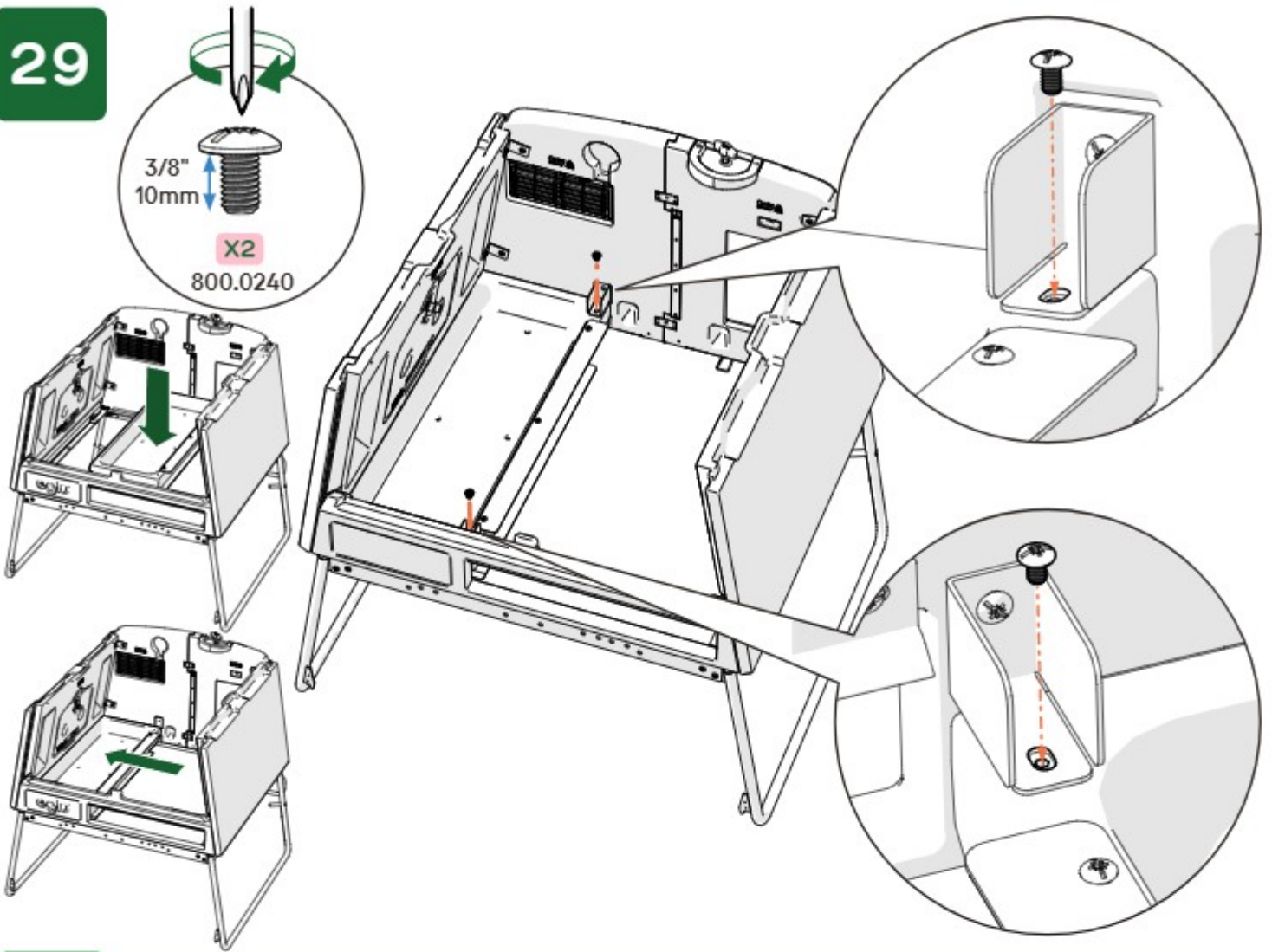
27



28

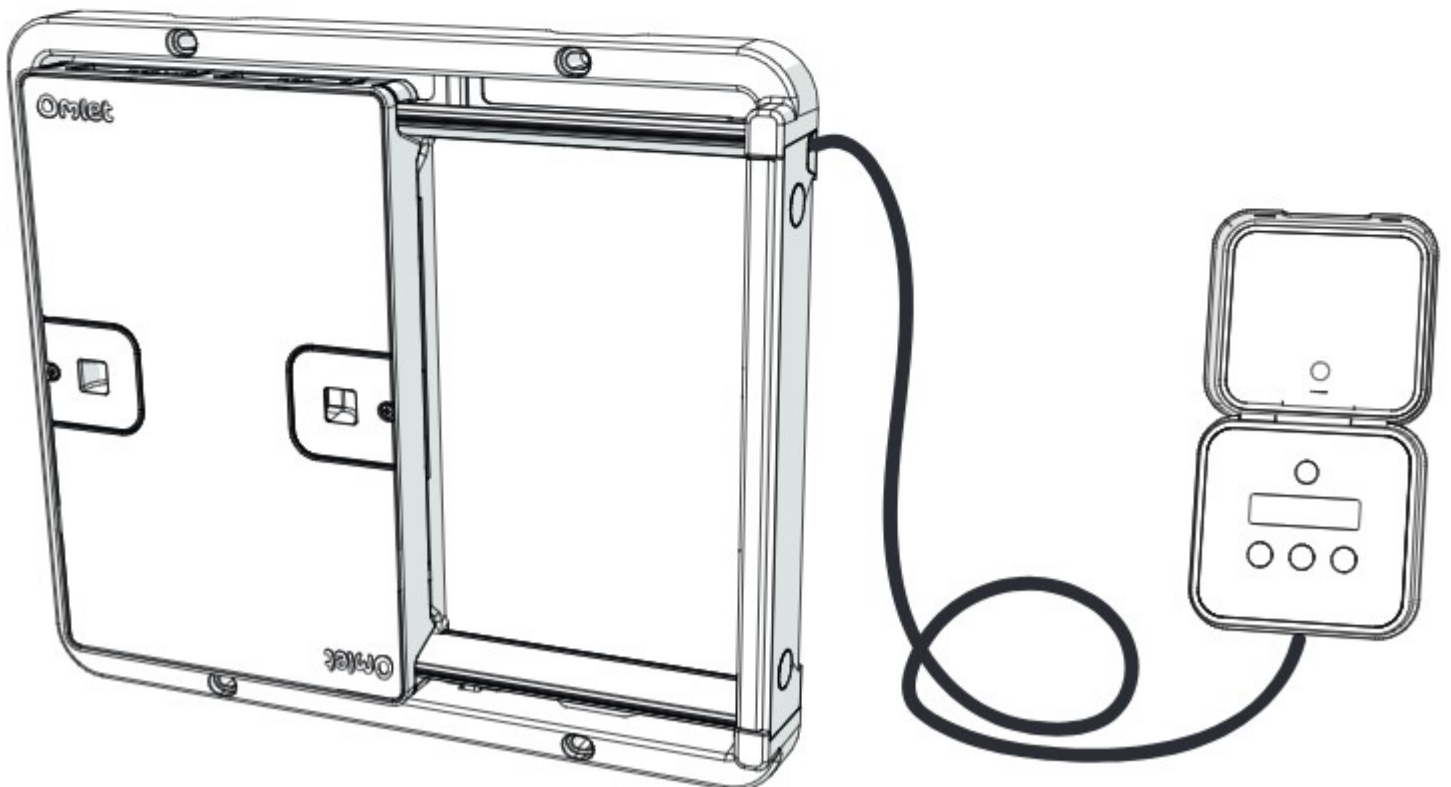


29

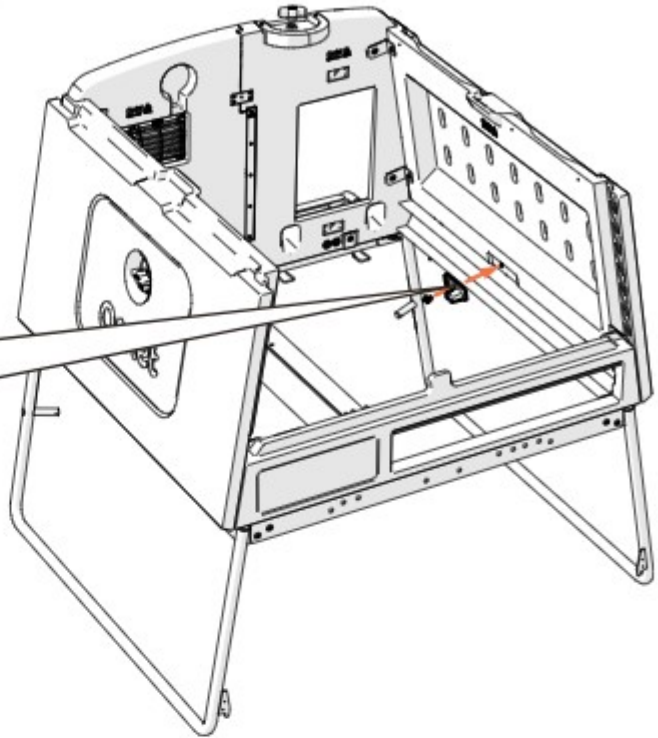
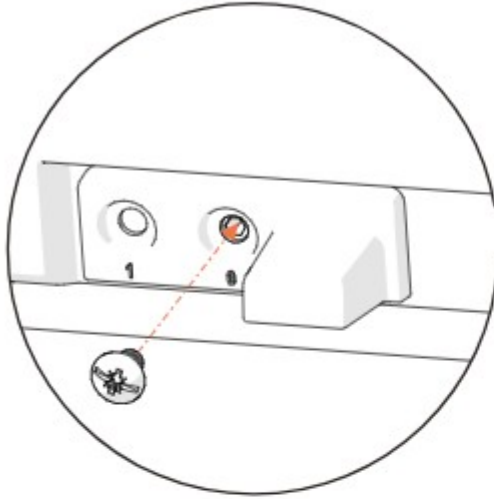
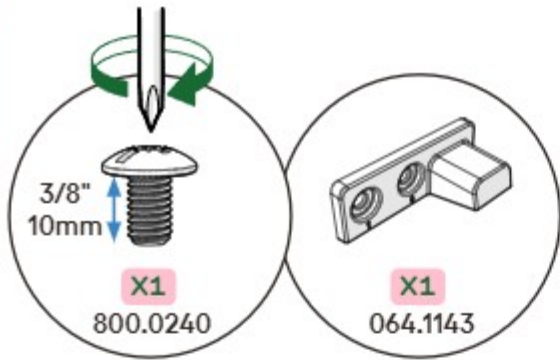


30

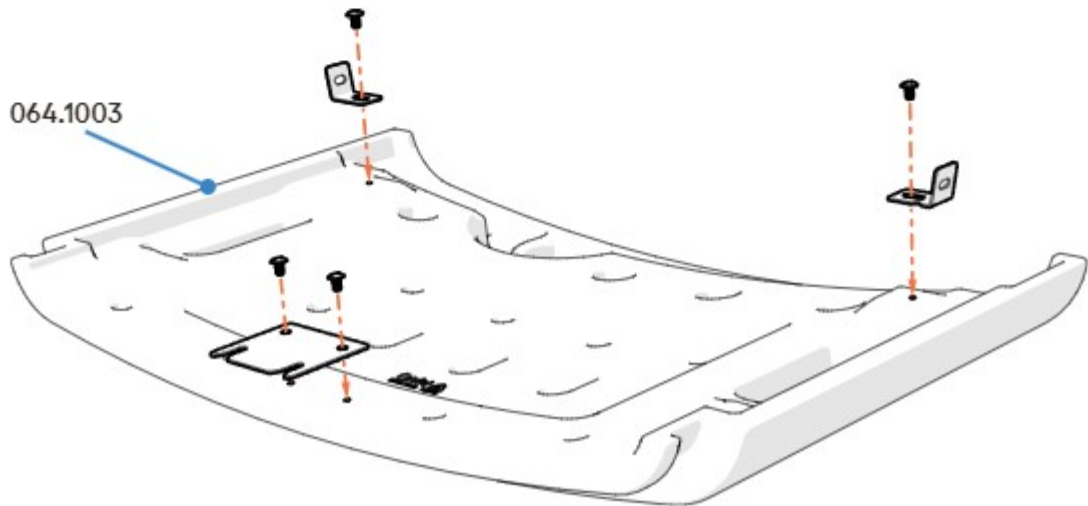
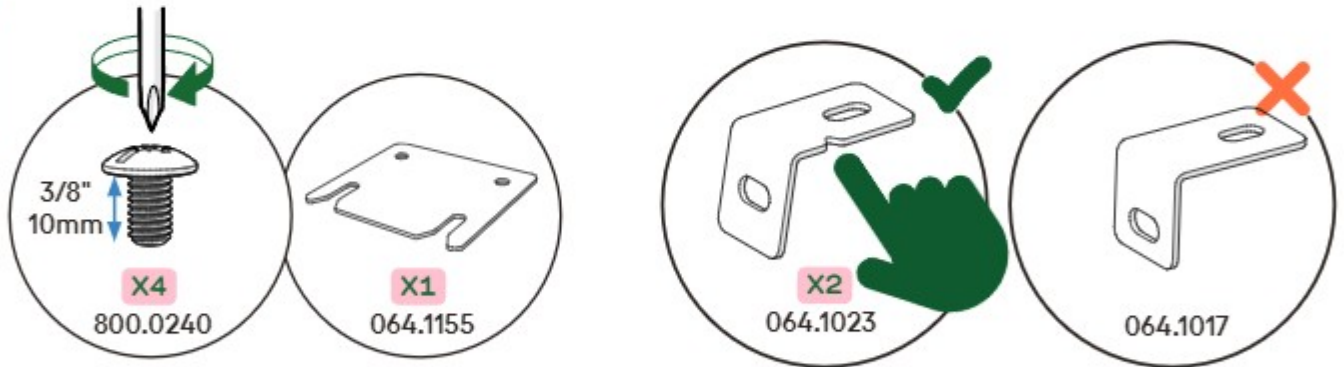
If you have an Autodoor, refer to the Autodoor instruction manual to attach it to the coop now. Then return here and continue from step 32



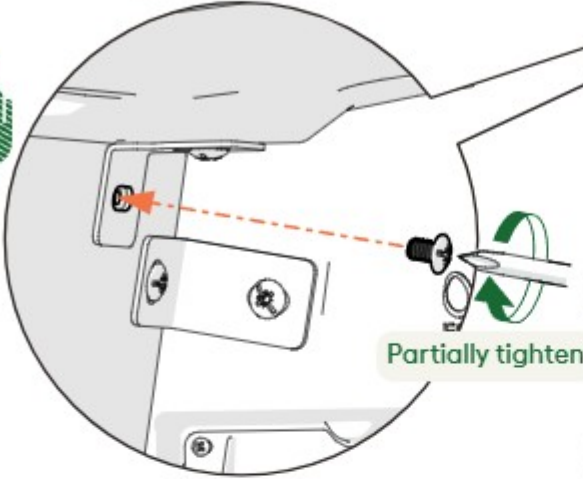
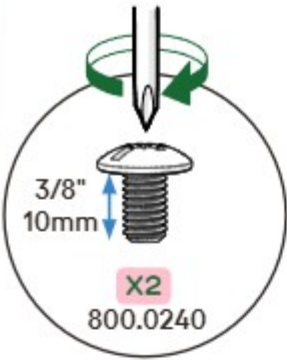
31



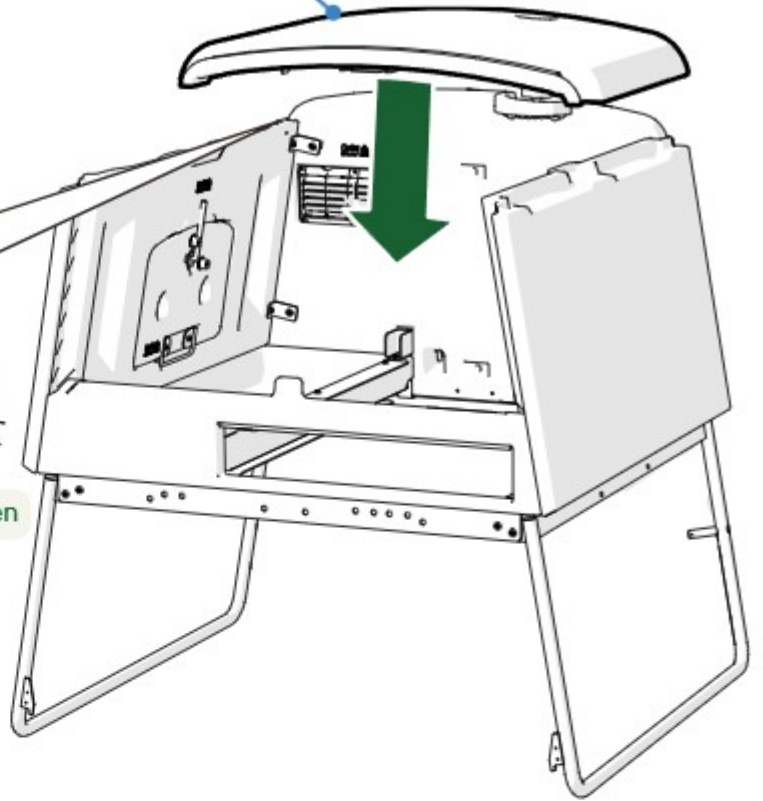
32



33



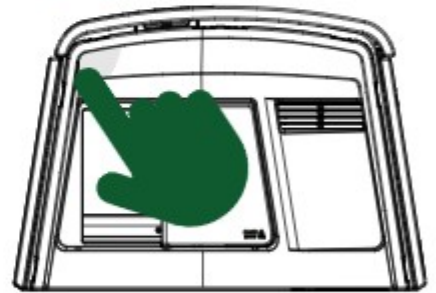
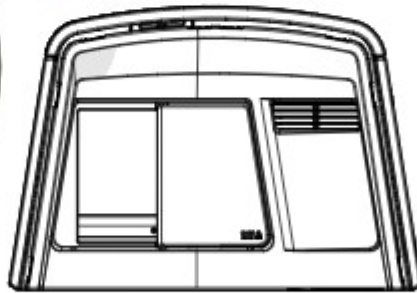
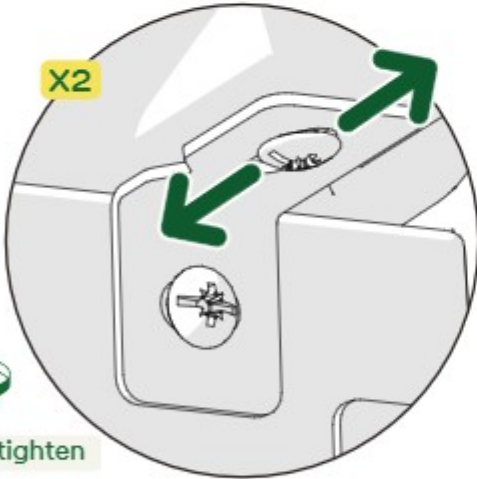
064.1003



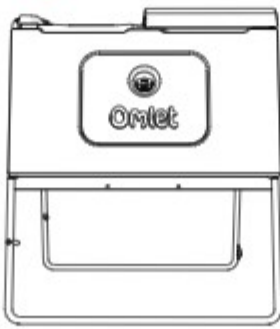
X2

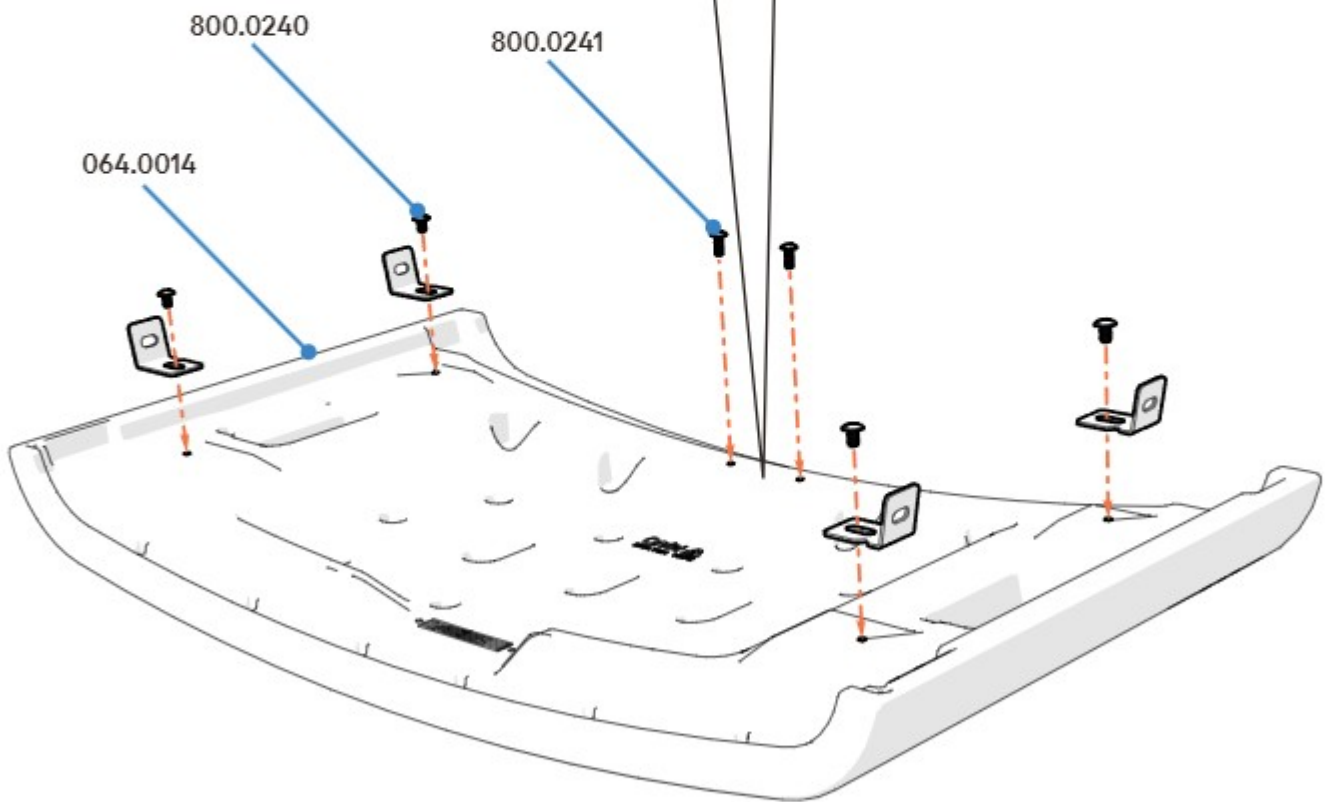
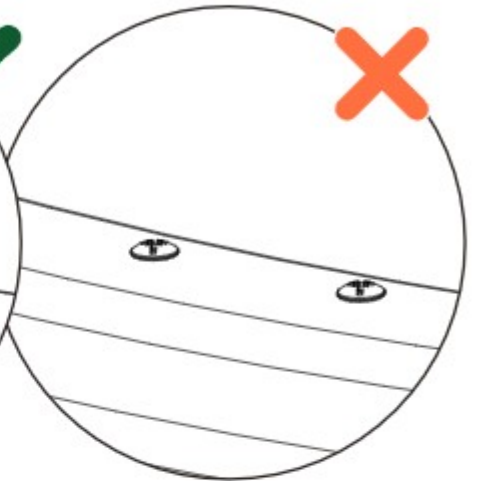
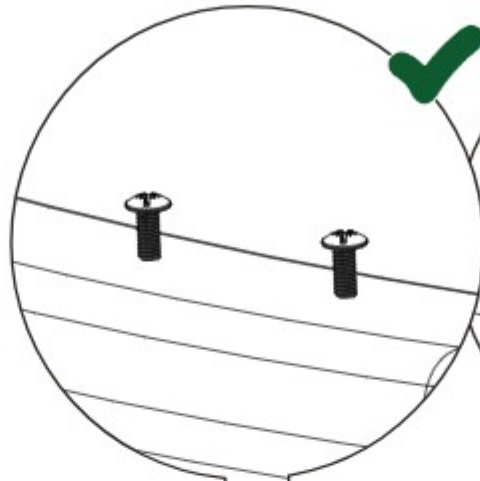
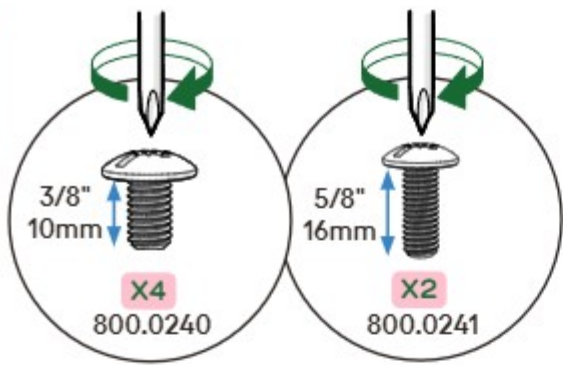


Fully tighten

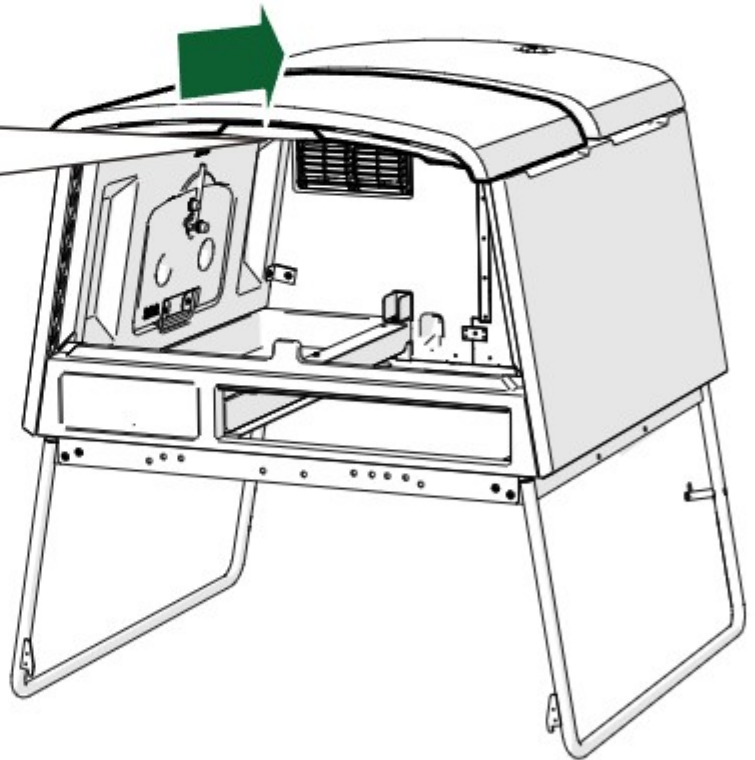
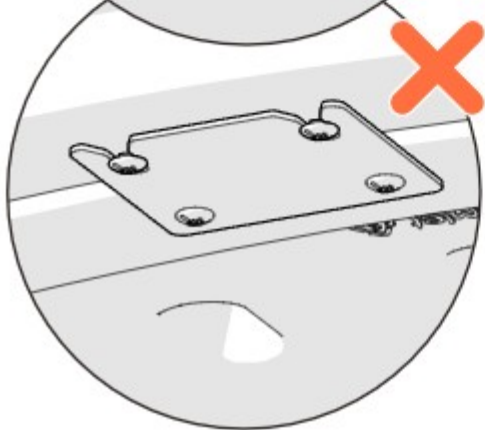
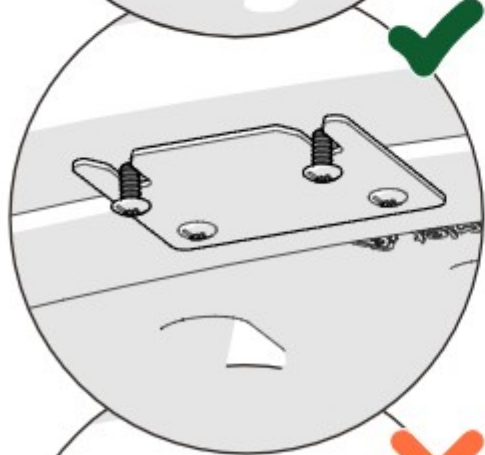
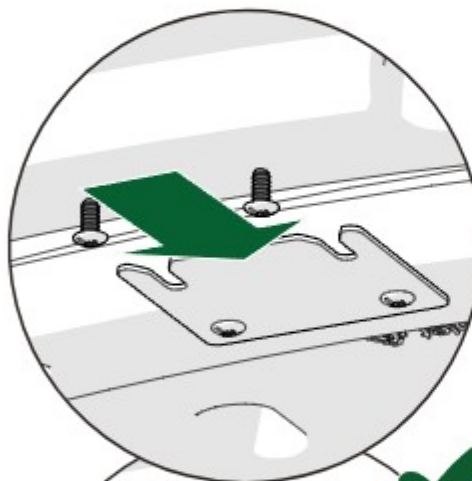
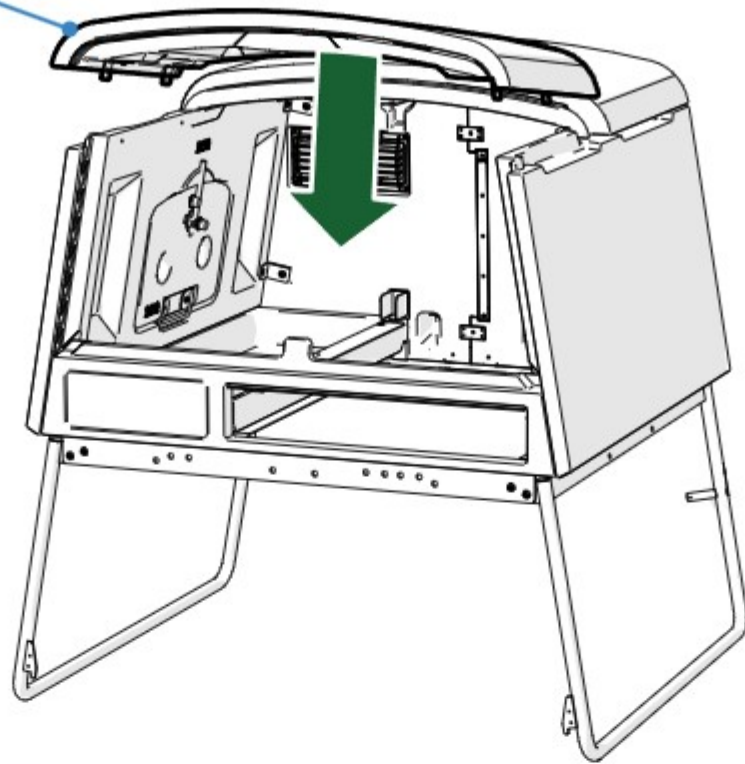


X2

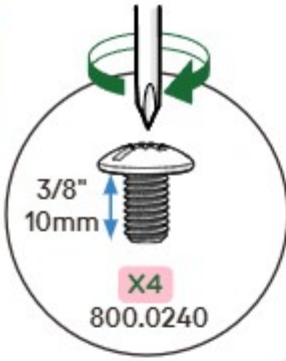




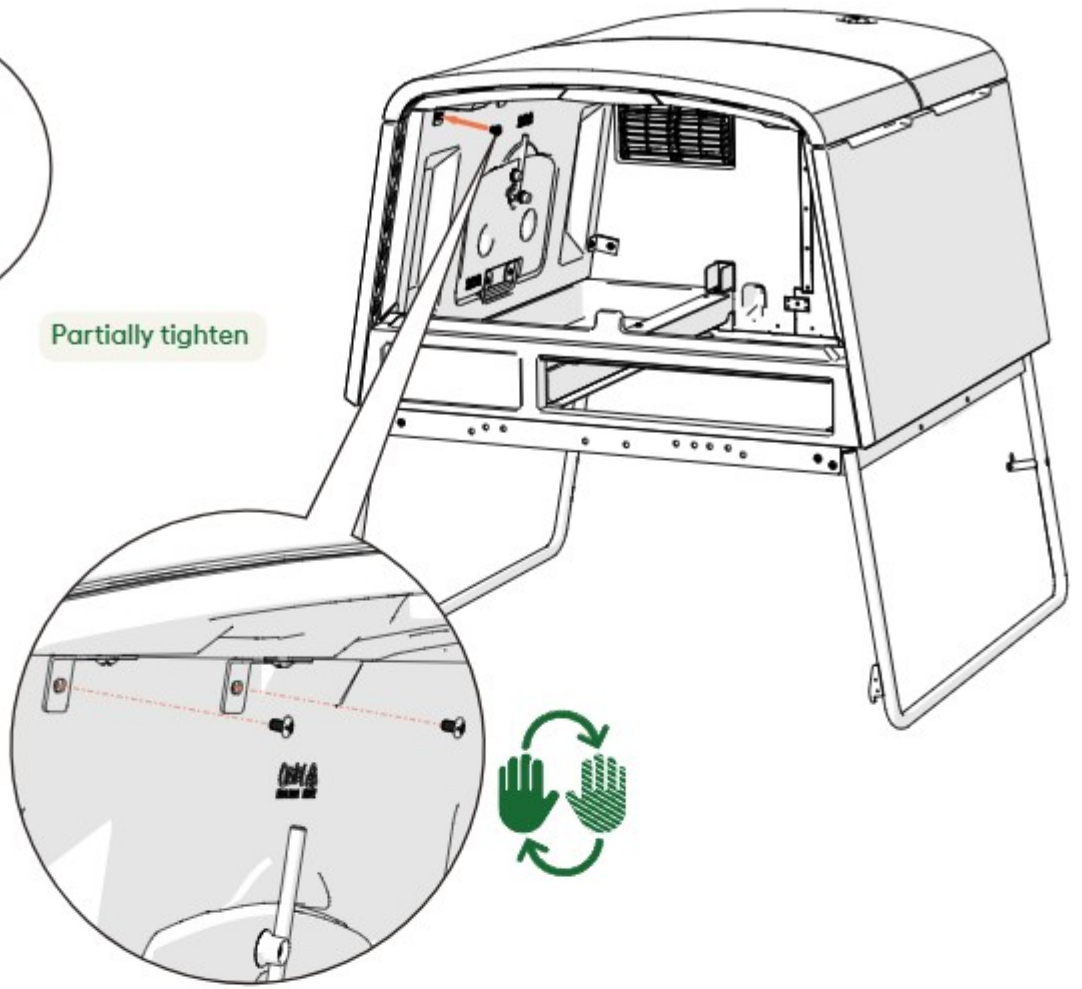
064.0014



36

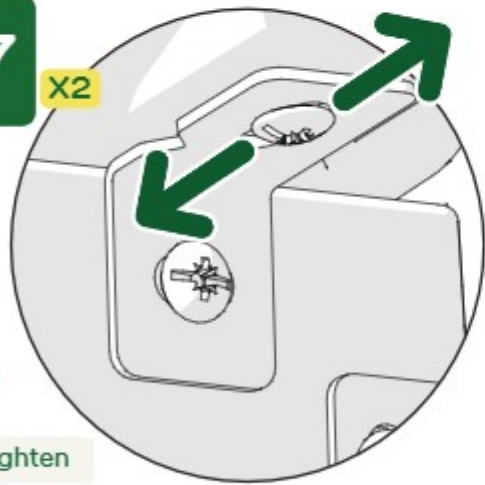


Partially tighten

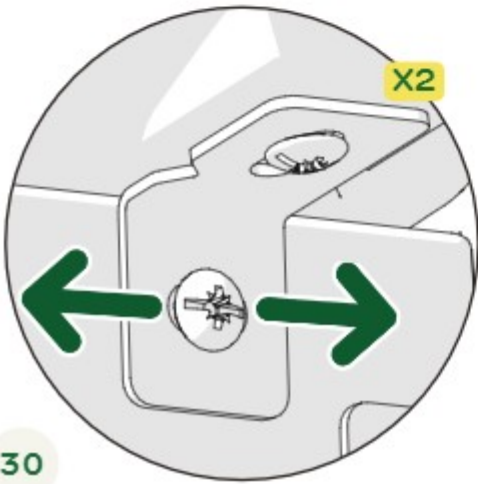
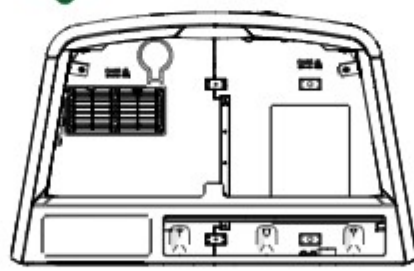


37

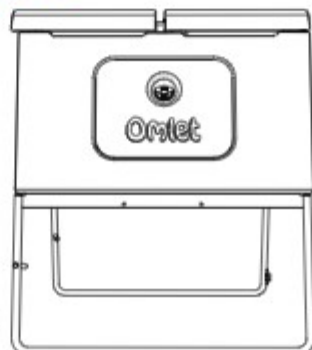
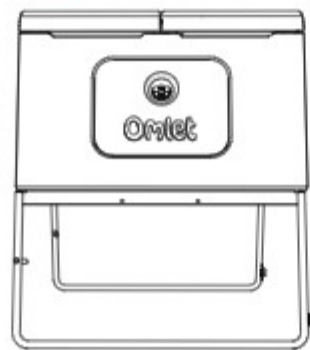
X2



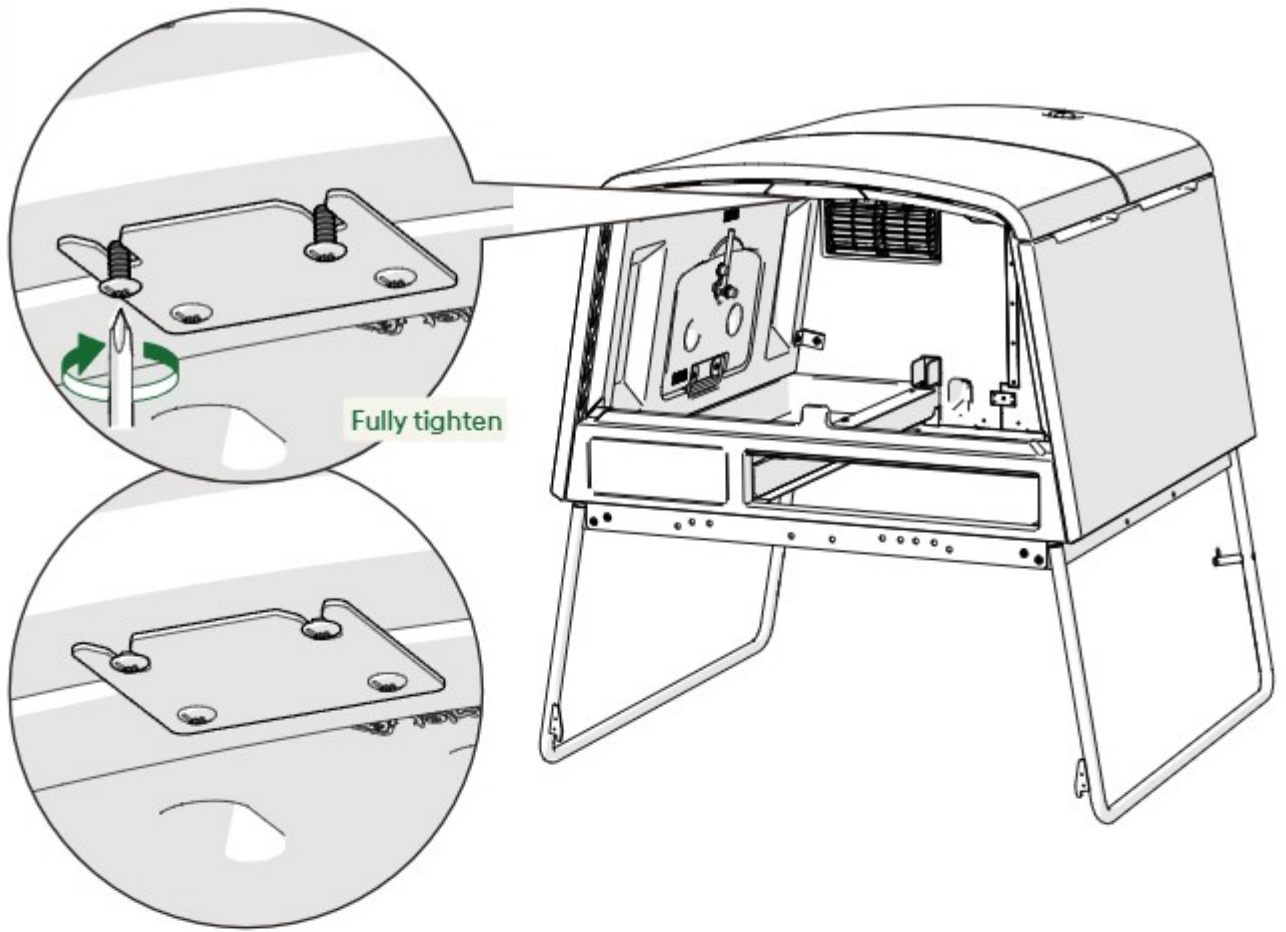
Fully tighten



X2

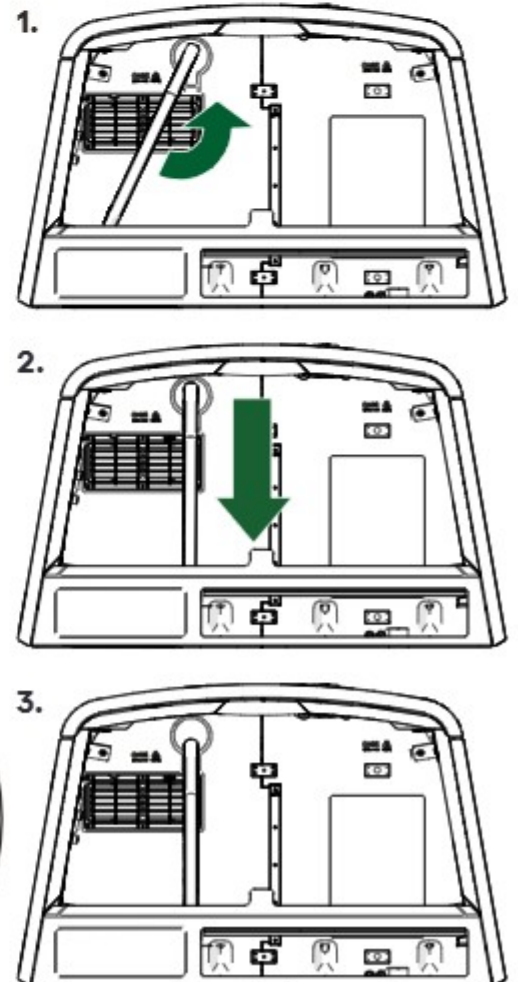
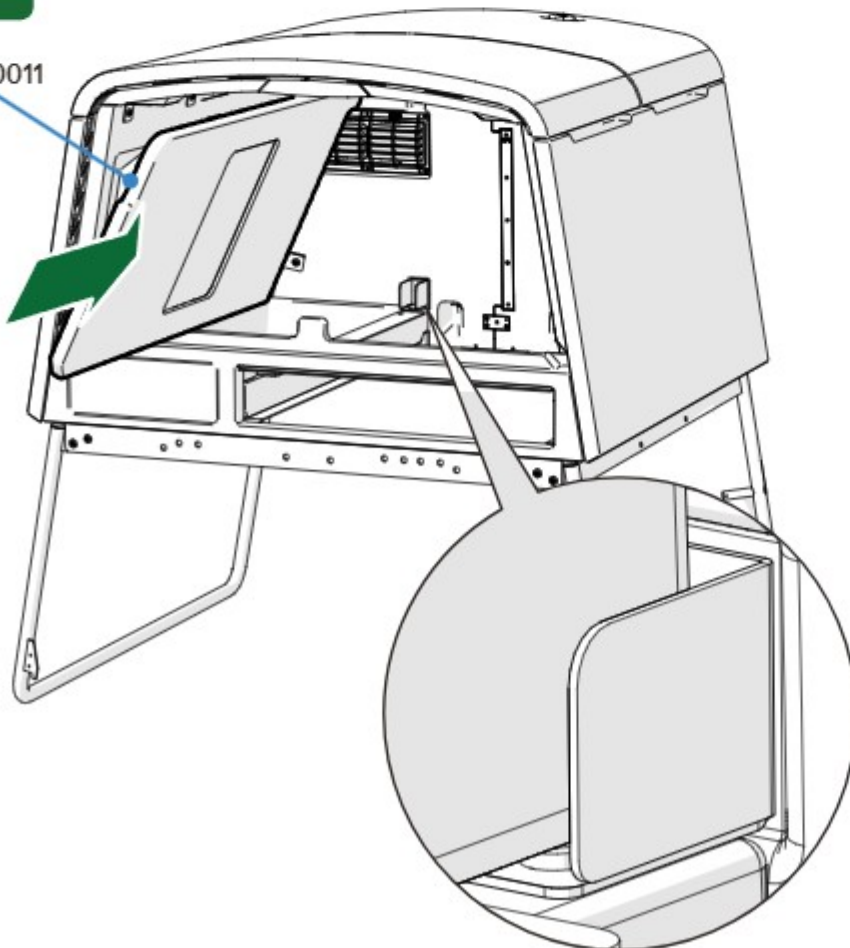


38

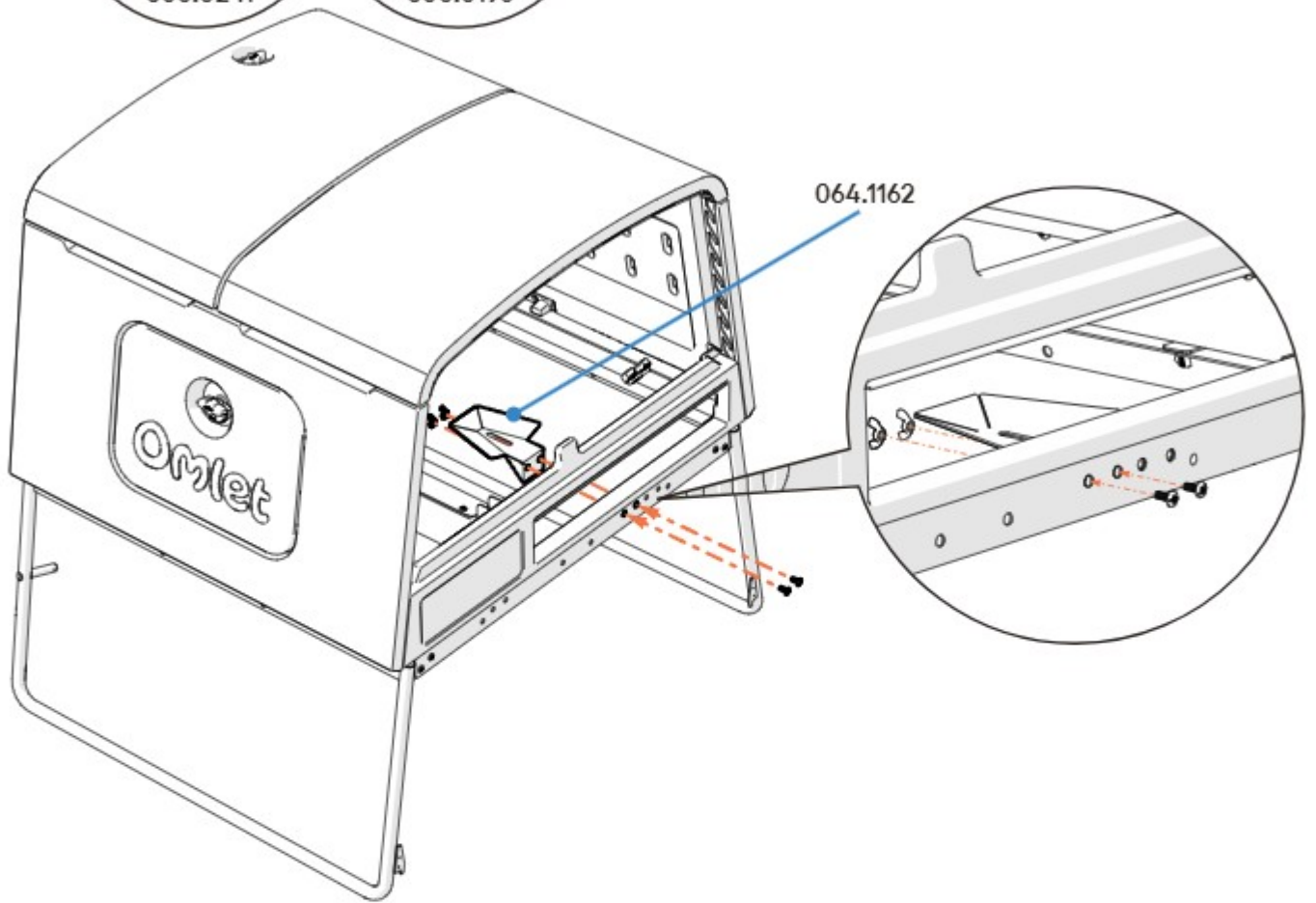
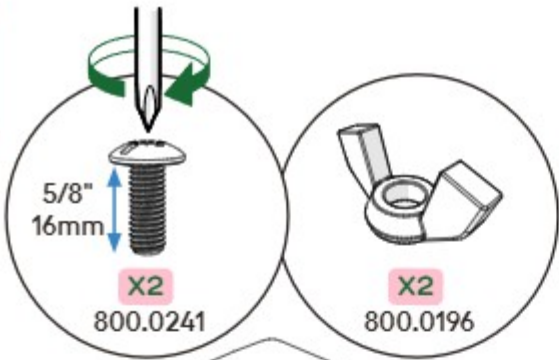


39

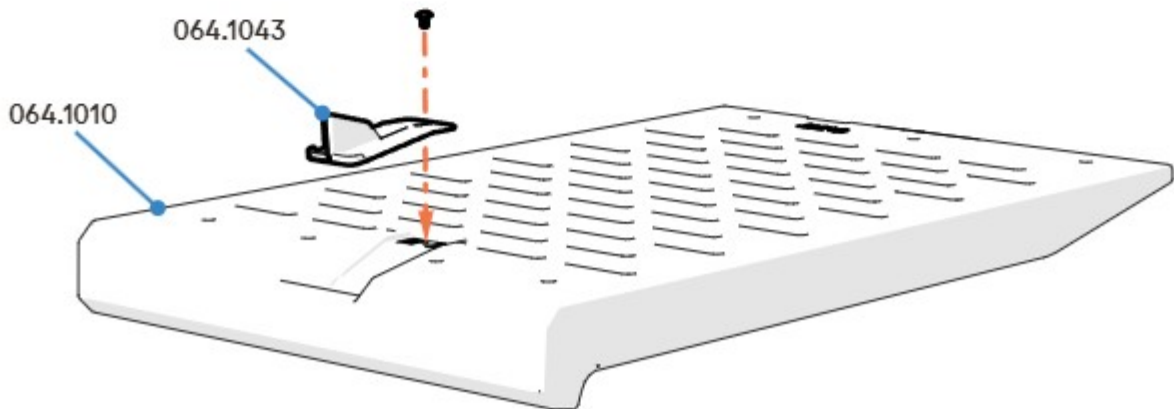
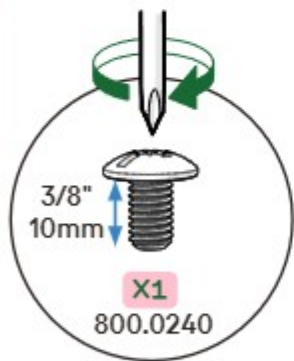
064.0011



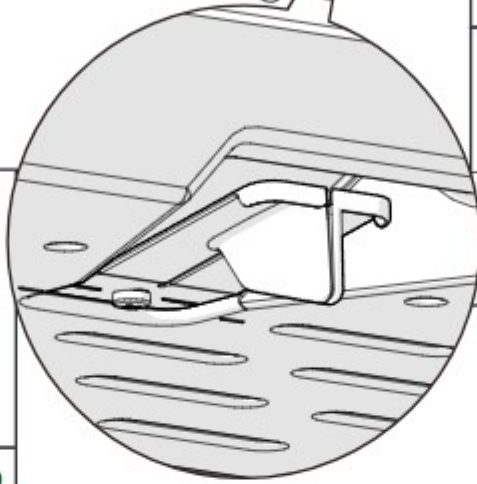
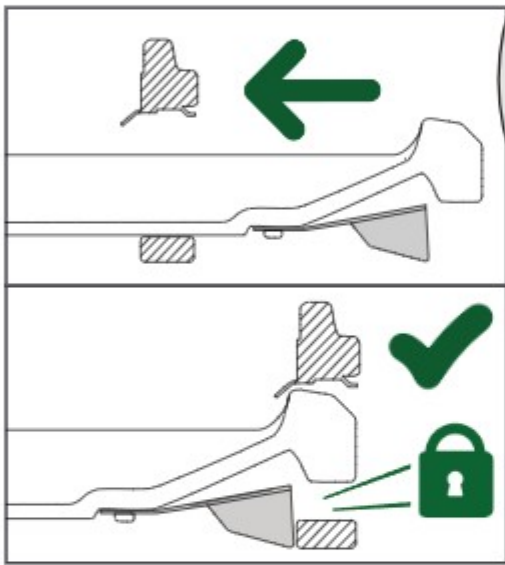
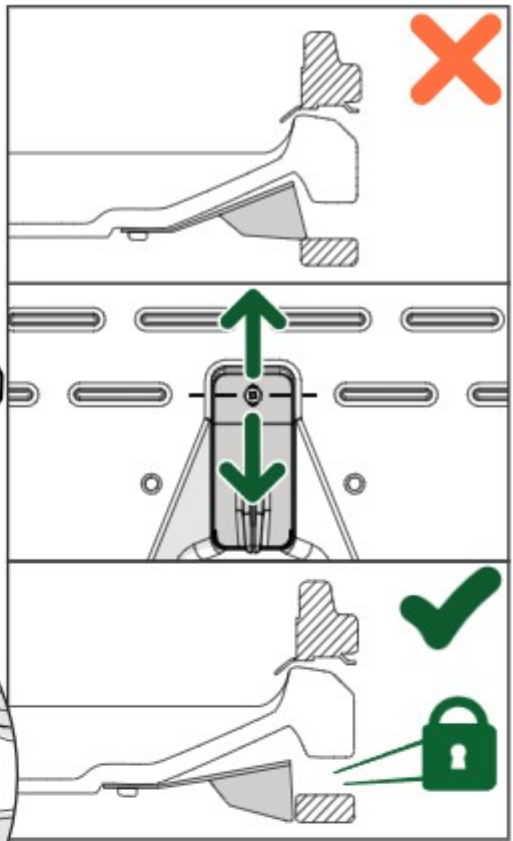
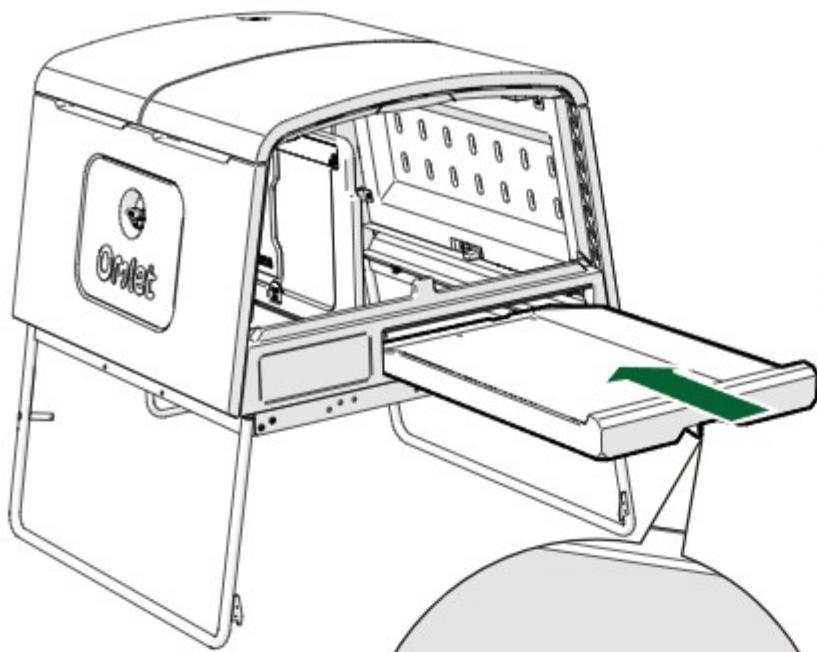
40



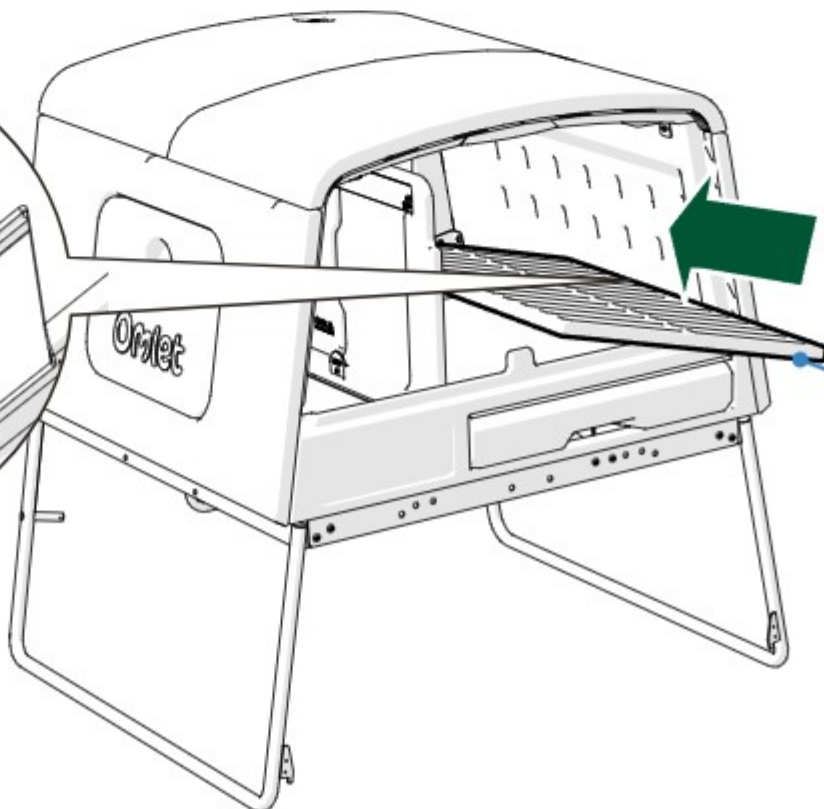
41



42

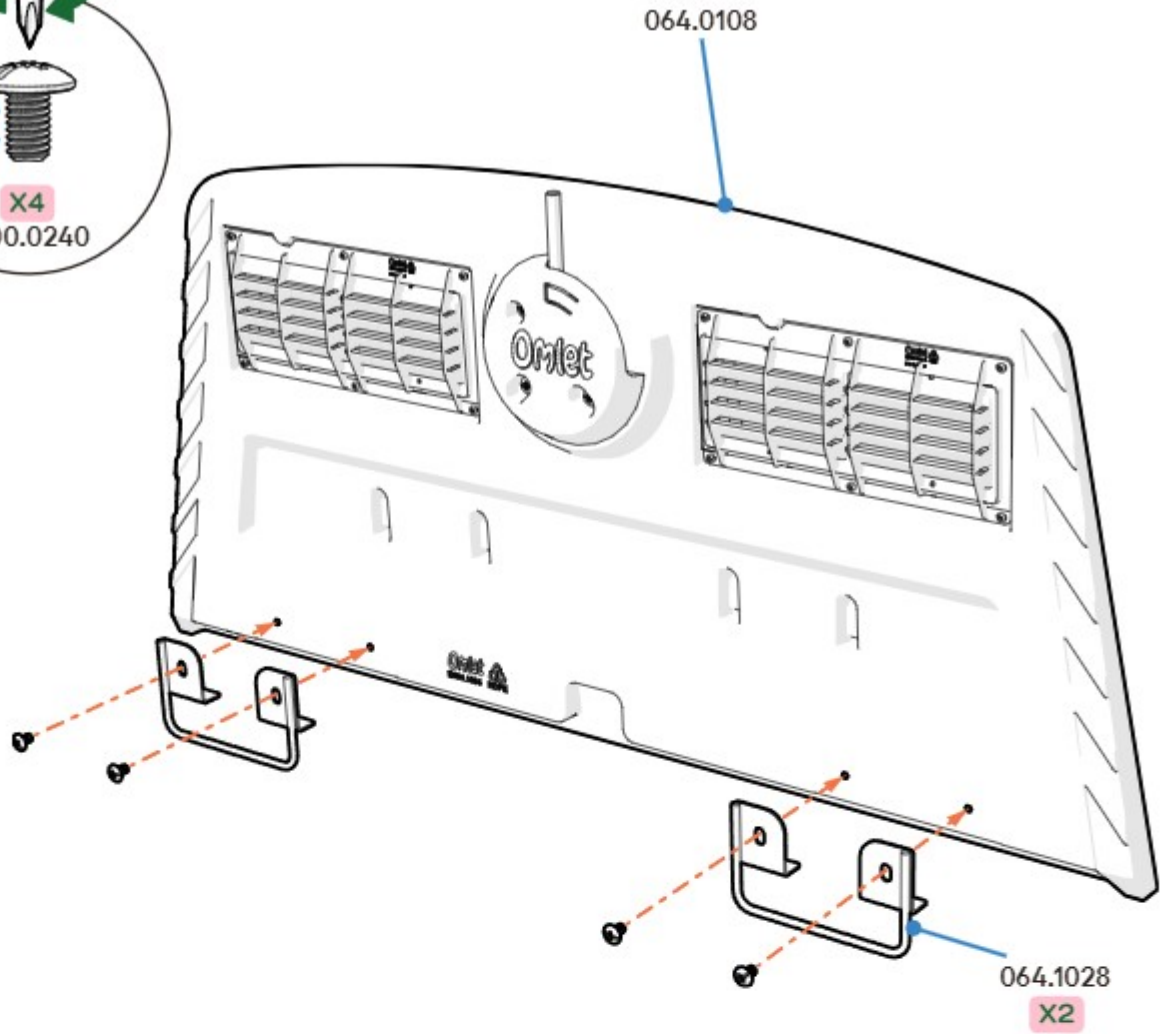
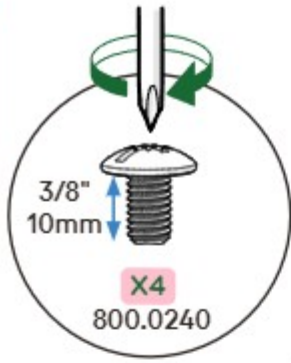


43

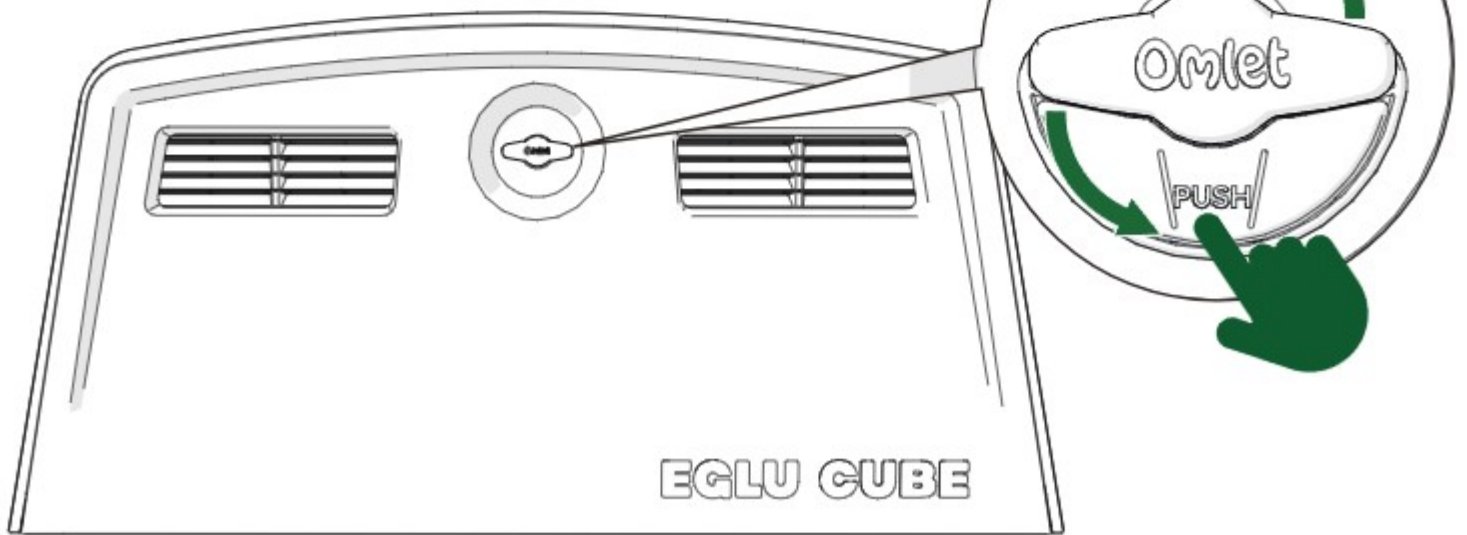
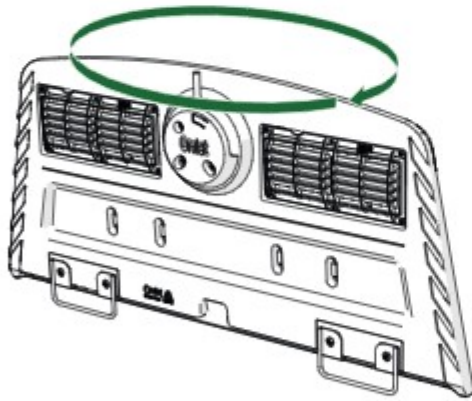


064.1012

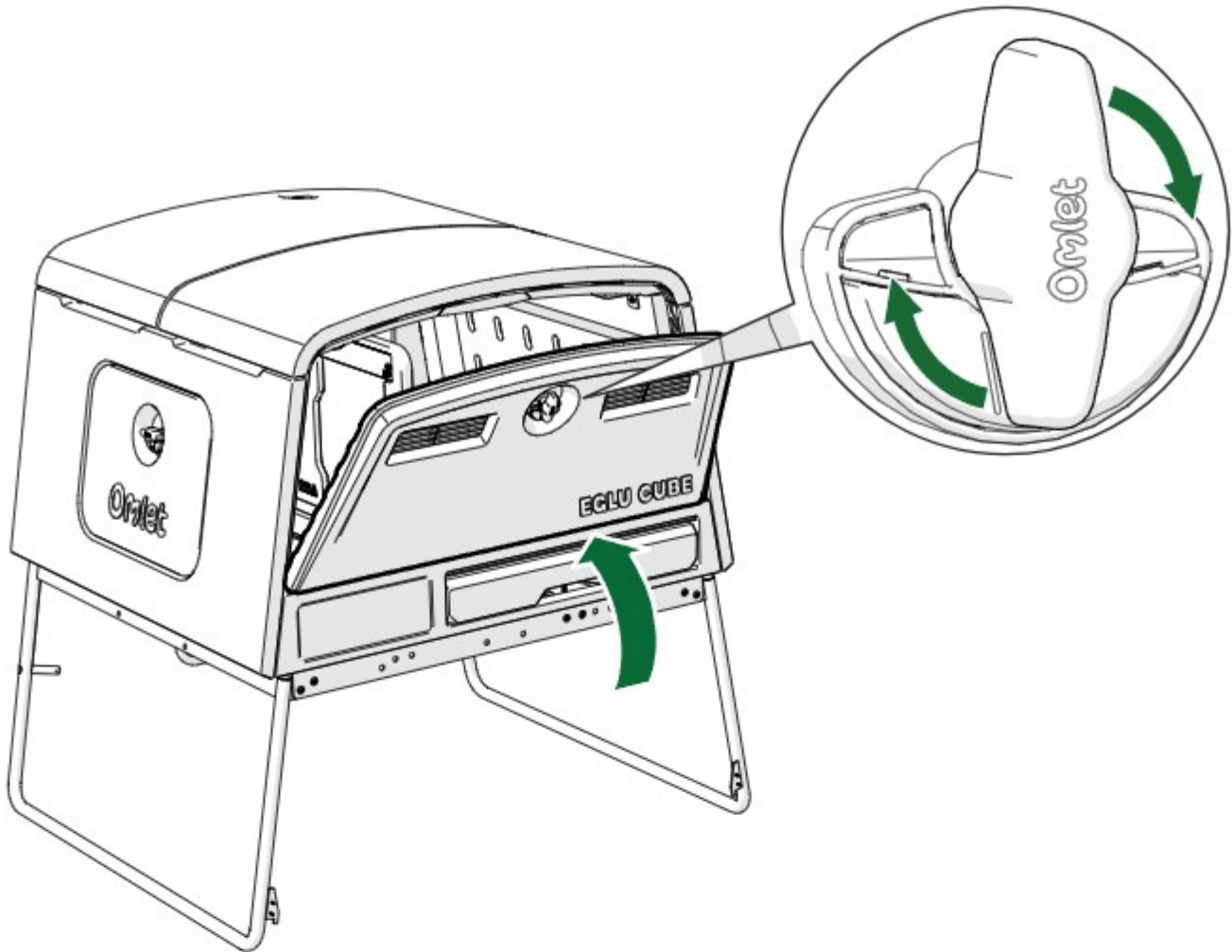
44



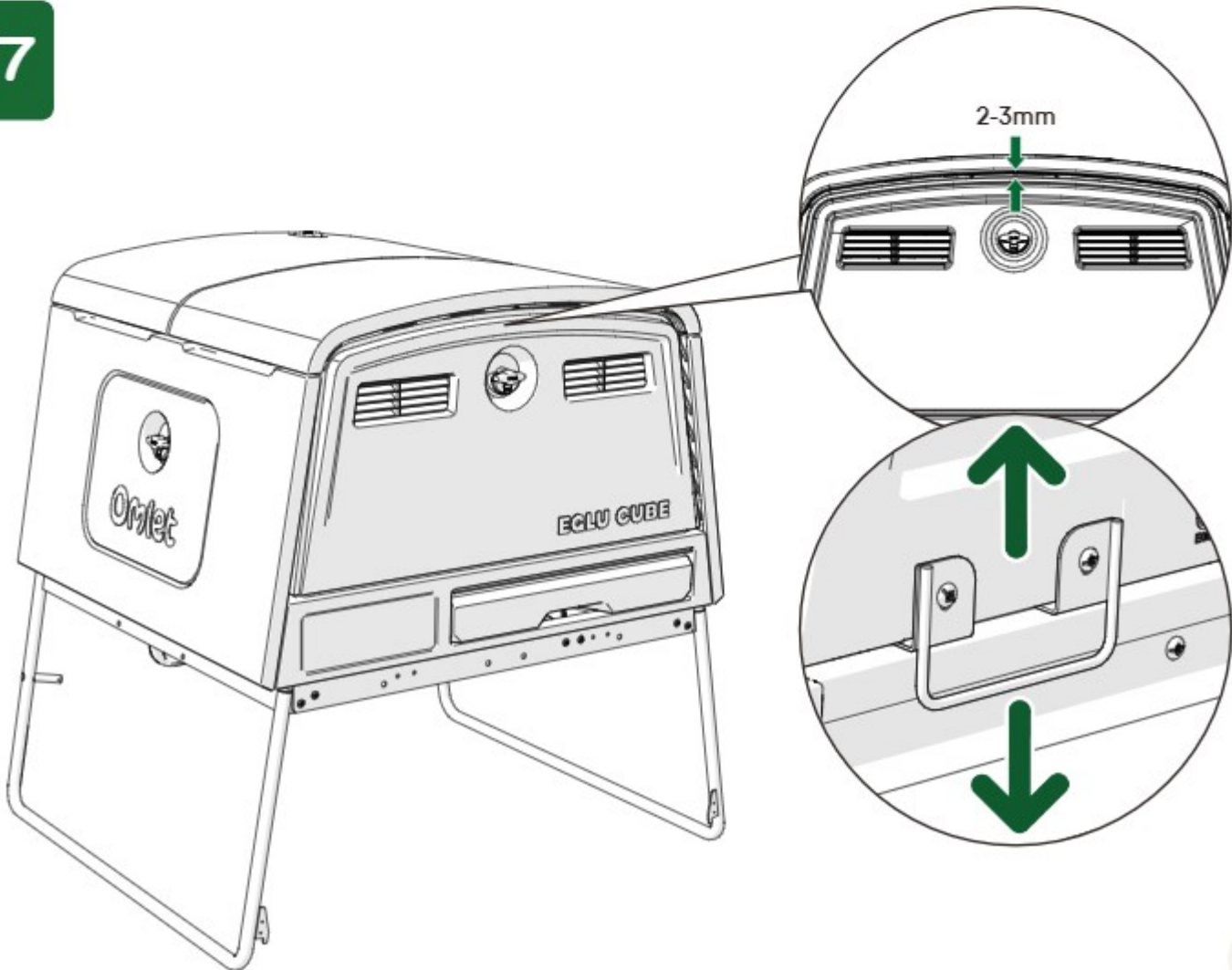
45

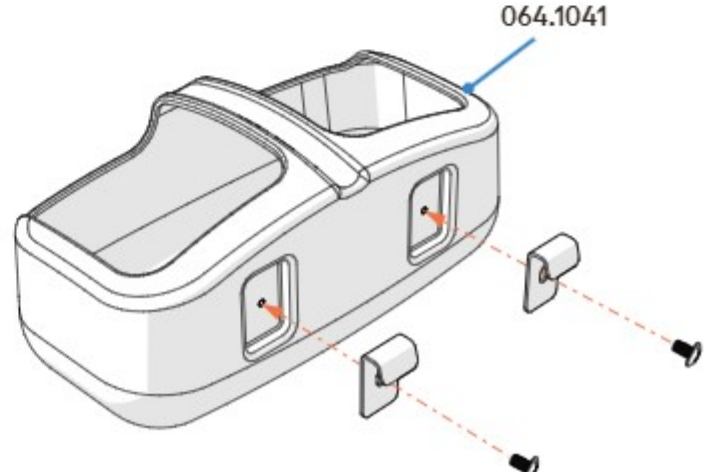
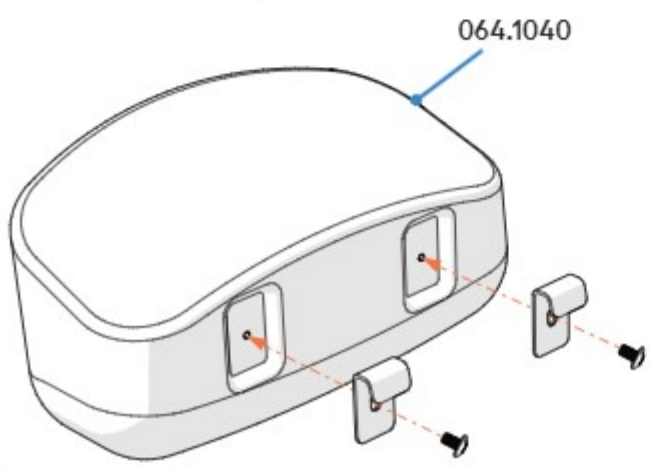
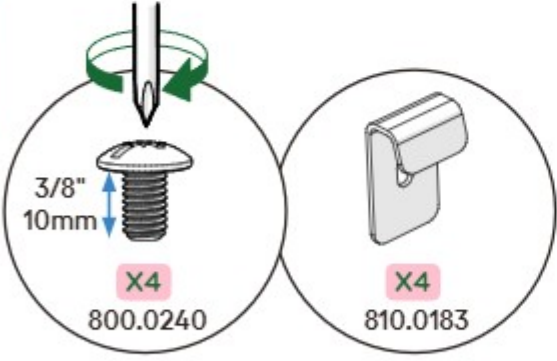
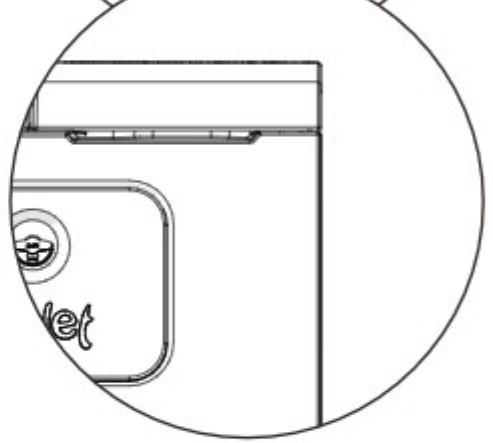
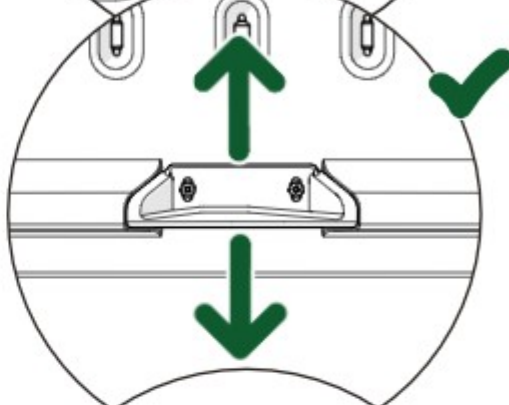
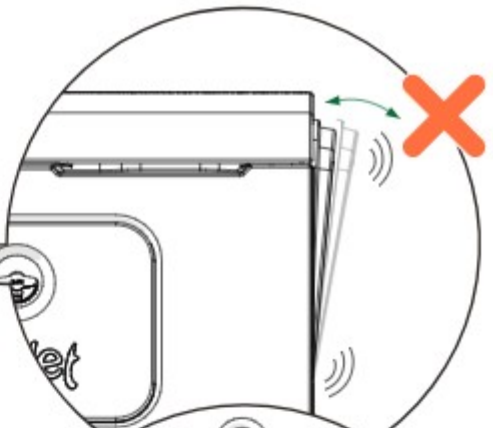
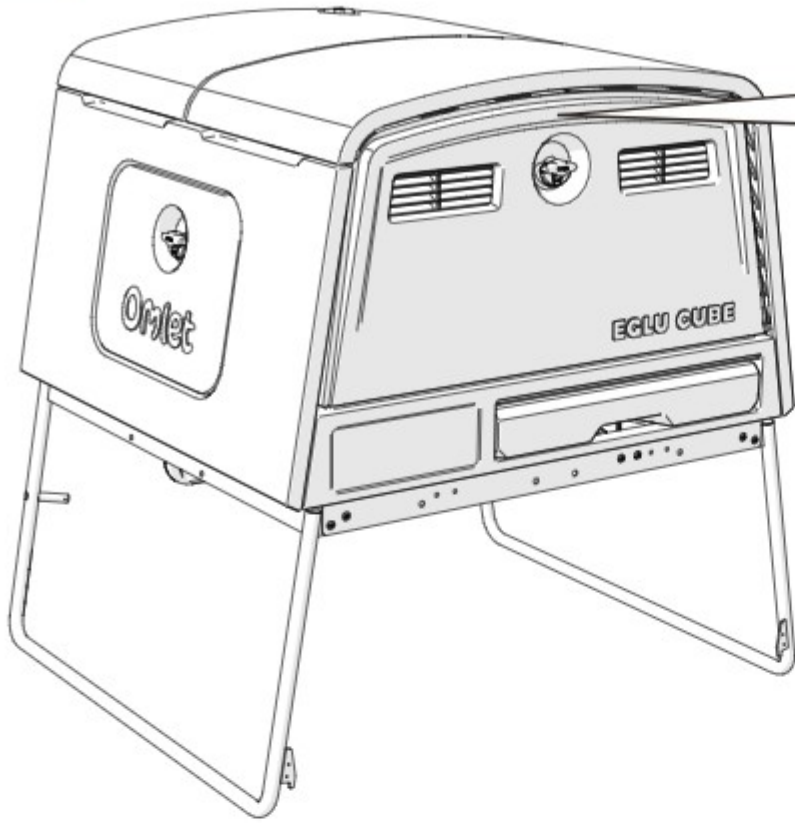


46

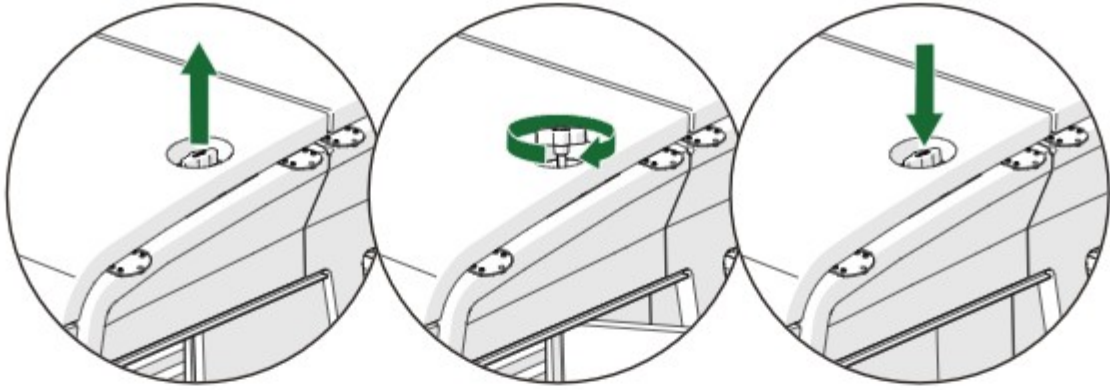


47

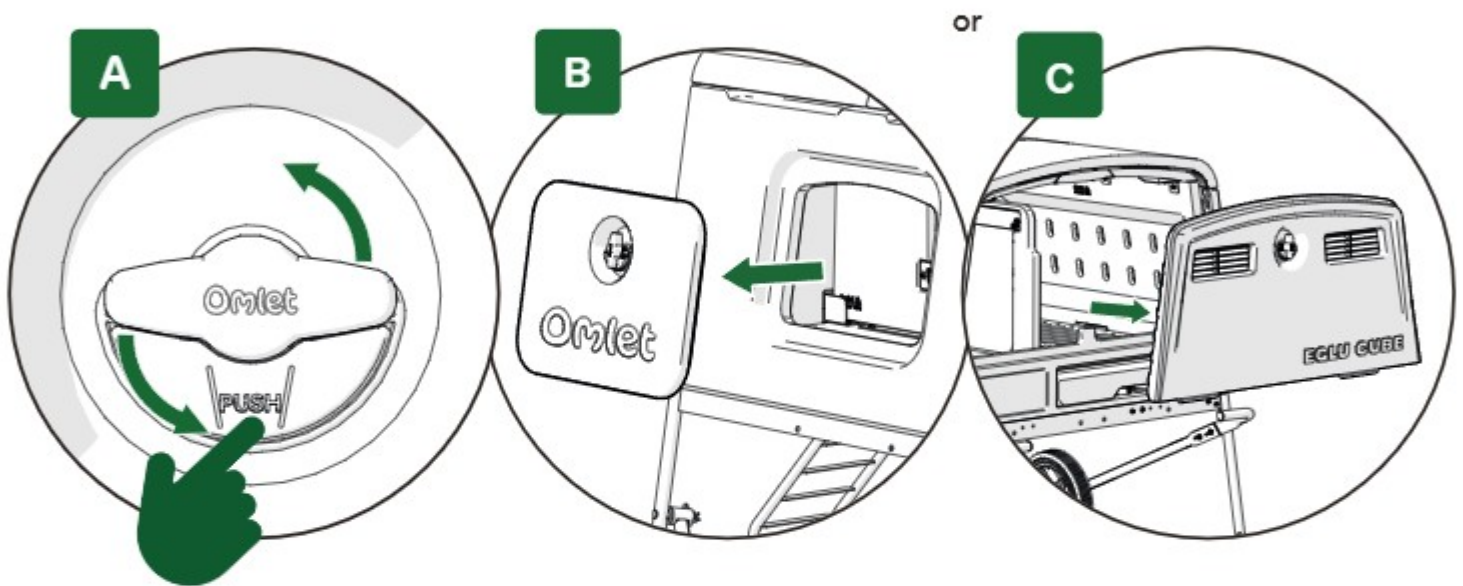




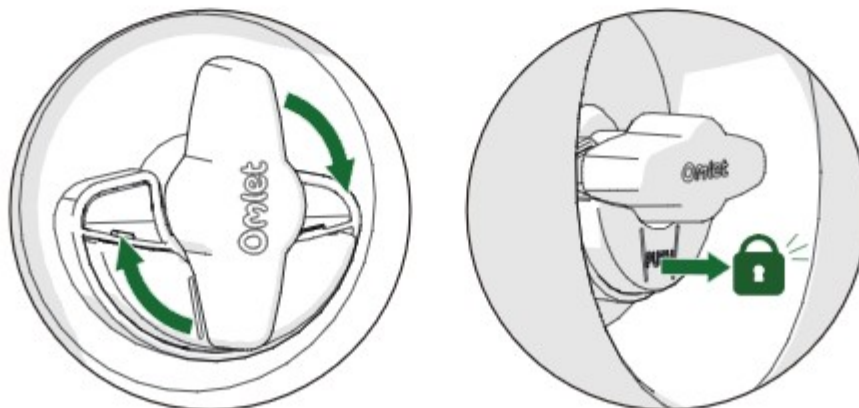
Door



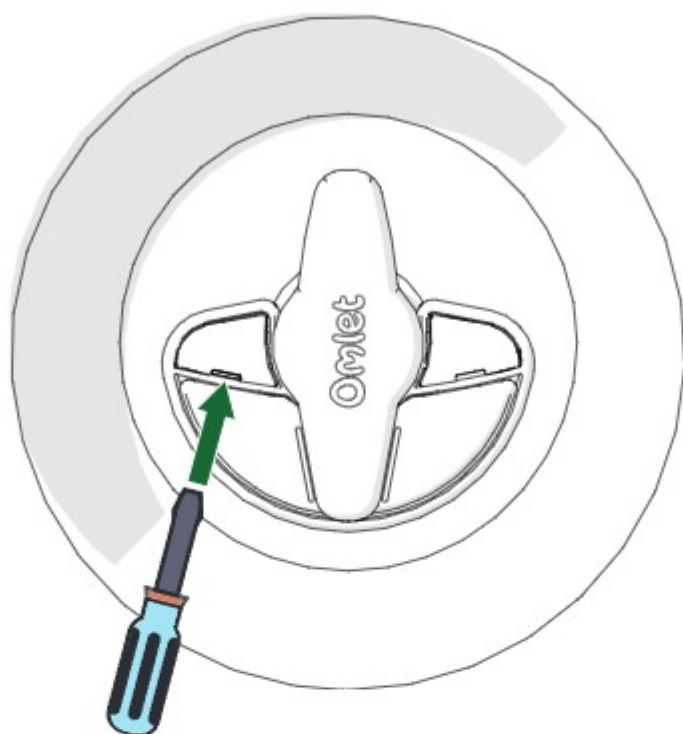
To unlock the T-handle, push the button and twist the handle at the same time



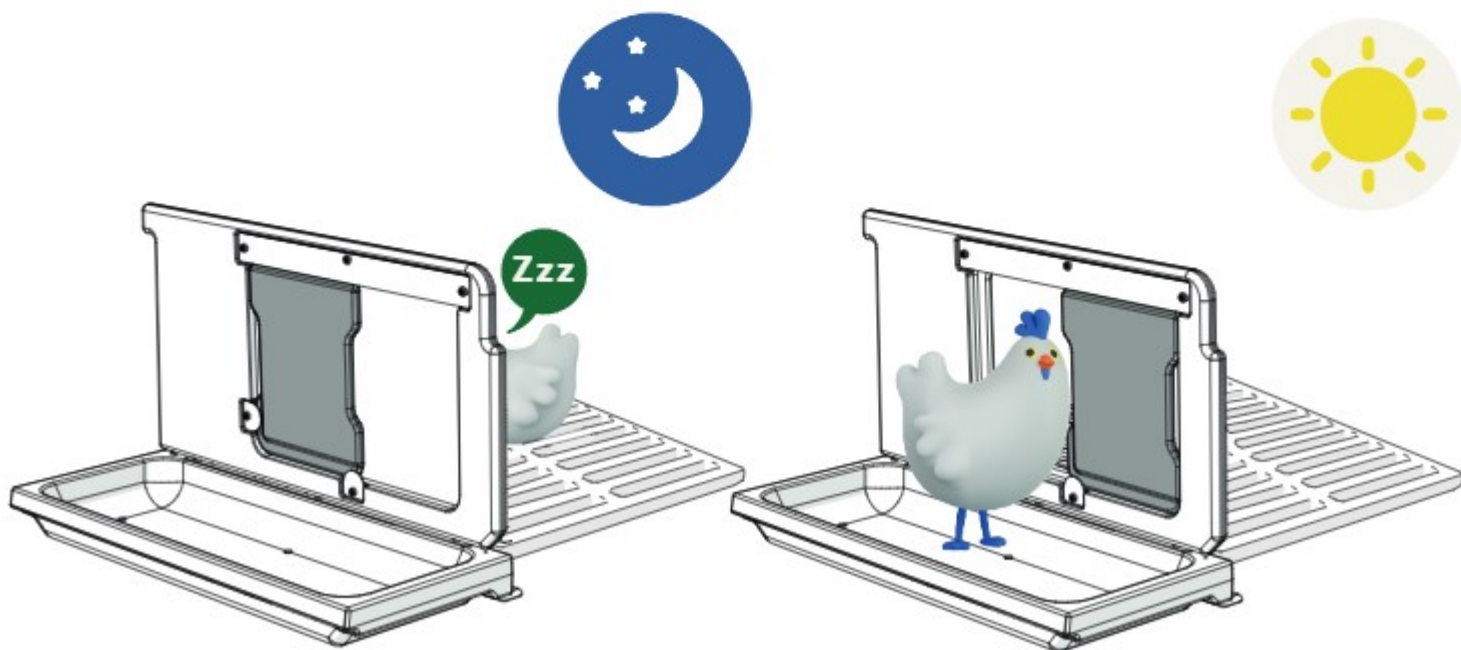
To lock the T-Handle, turn it to its horizontal position and ensure the push button springs up.



If you need to remove the lock, use a flat head screwdriver to lift out the screw caps (810.0443 + 810.0444).



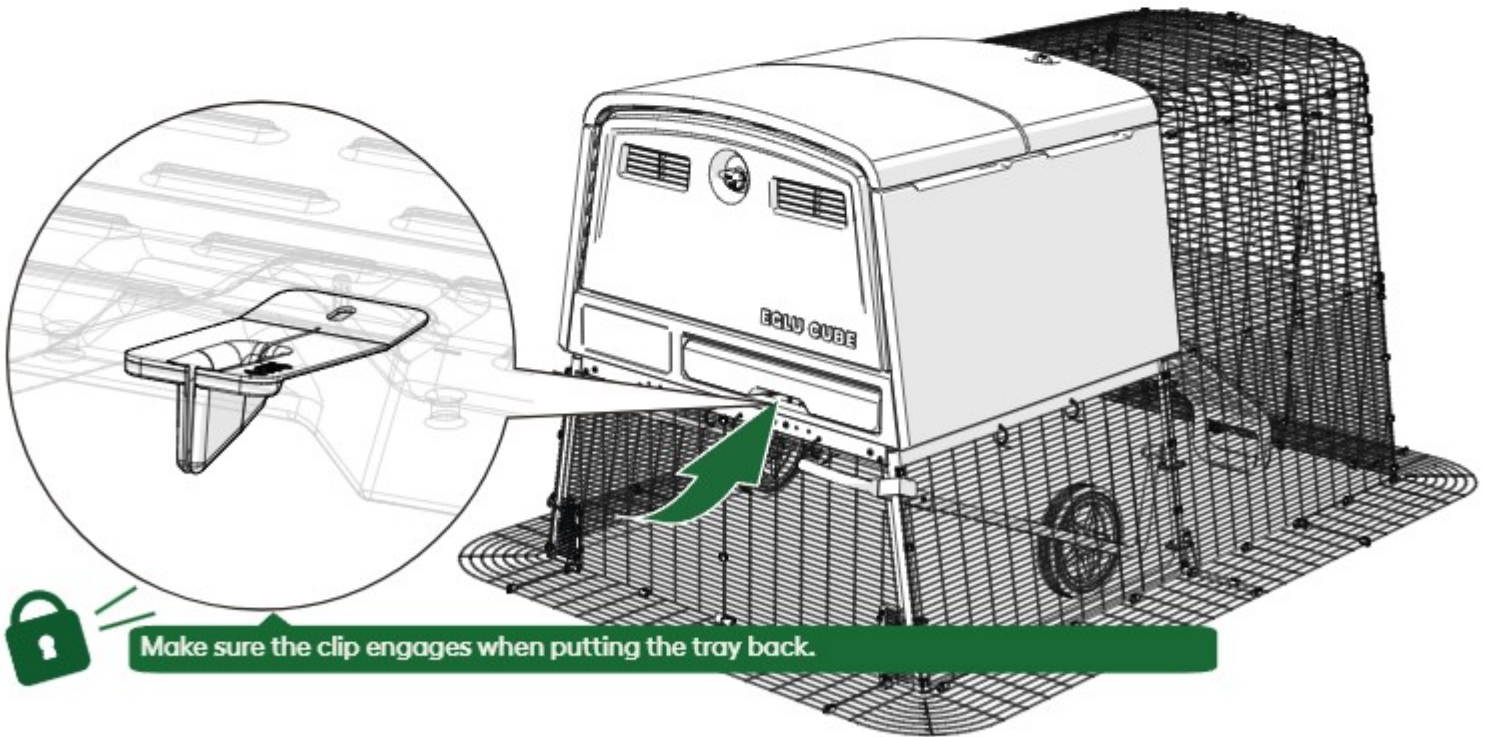
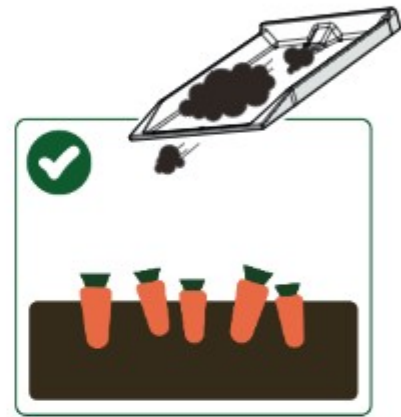
Partition: The partition is used to keep your chickens in the roosting area at night.



Deep Clean



Empty Droppings Tray



To attach an Omlet perch to the lower half of the run with the smaller mesh pitch, please see the information below.



You will need...

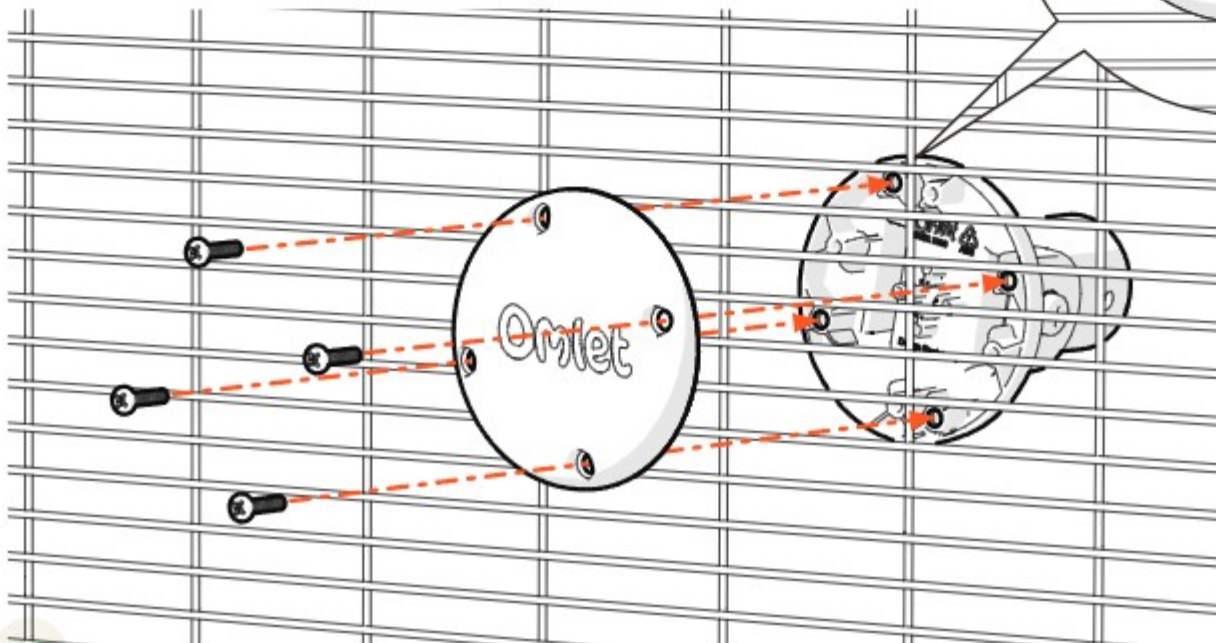
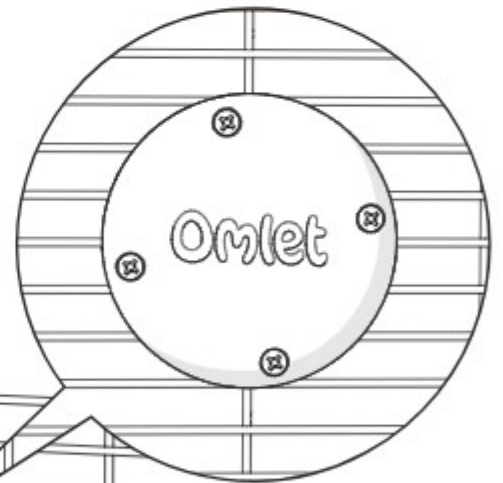


053.1022

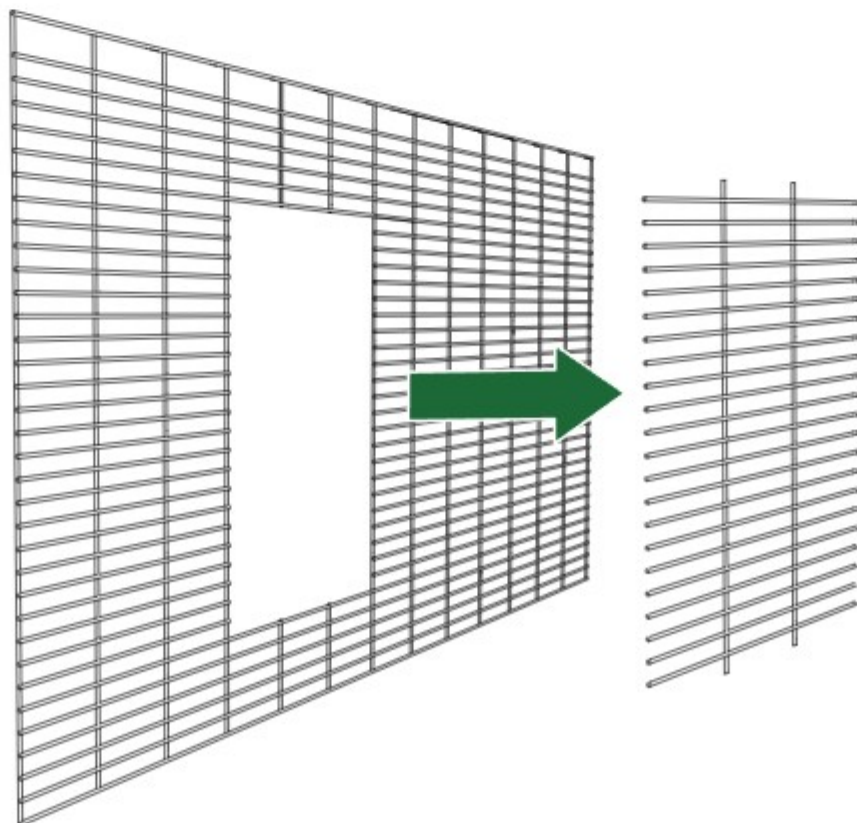
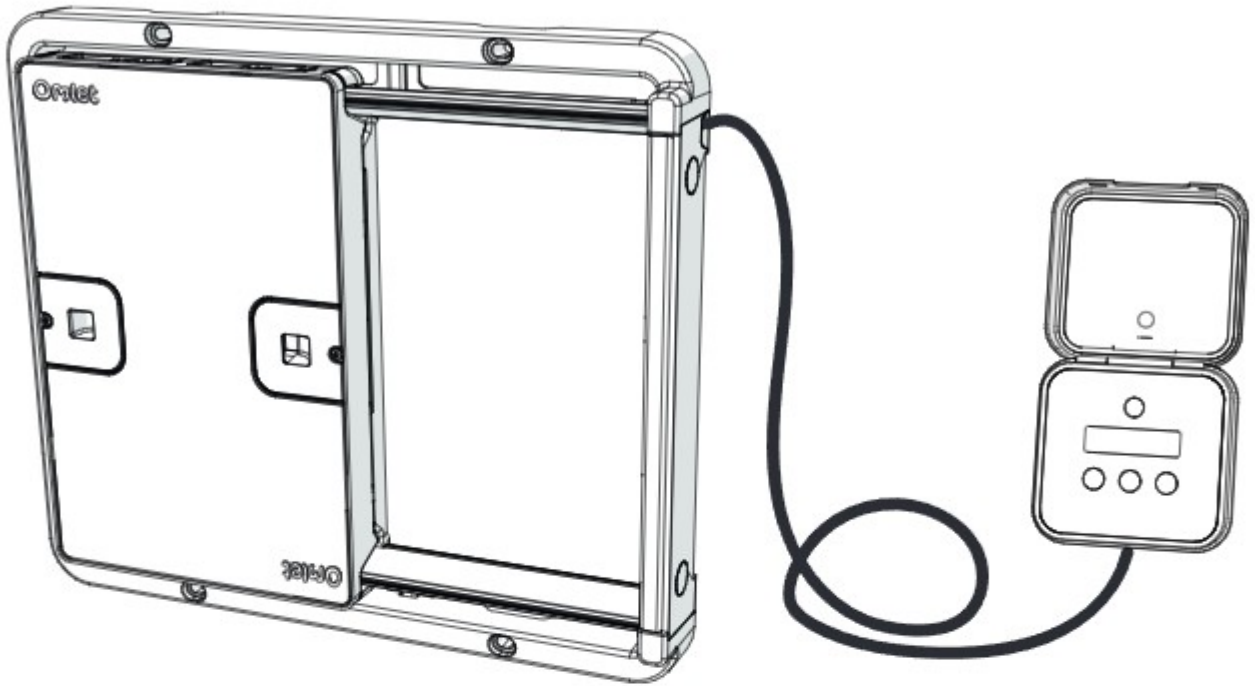


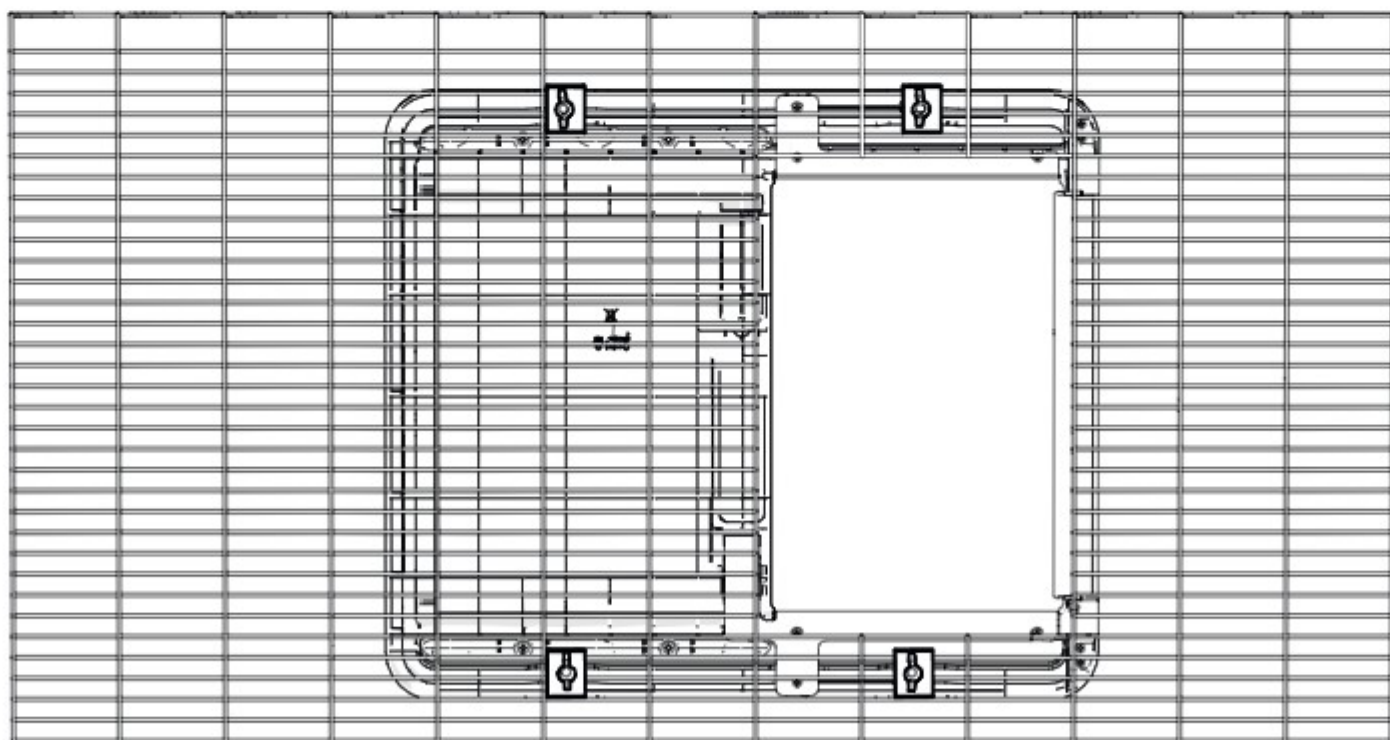
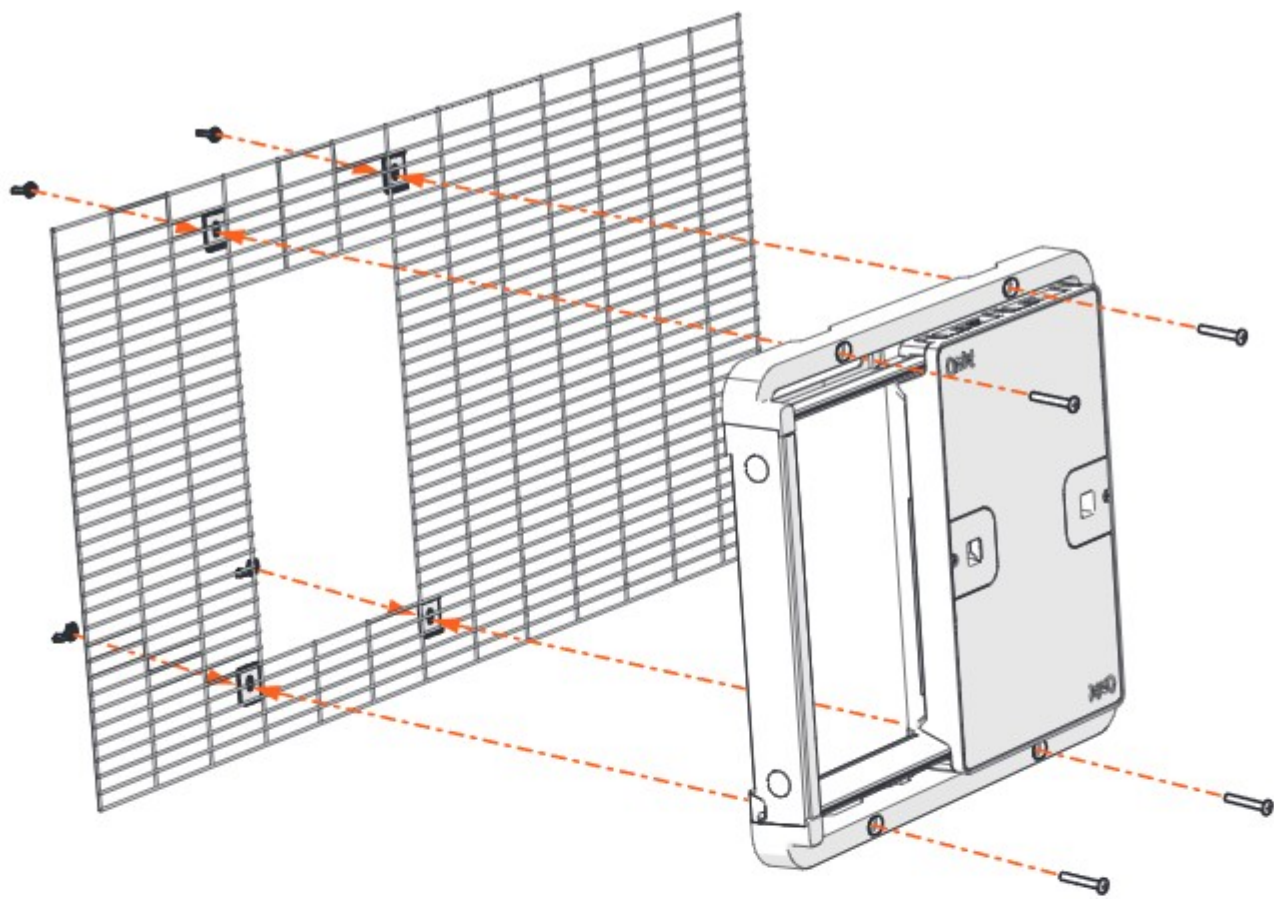
800.1025

Don't use



To attach an Omlet Autodoor to the lower half of the run with the smaller mesh pitch, please see the information below. All other steps must be completed as explained in the Autodoor manual.





DOs

- Collect and enjoy your eggs everyday. Leaving eggs in the Eglu Cube can cause your chickens to go broody and not lay any eggs for a few weeks.
- Make sure your chickens always have access to food and clean water.
- Let your chickens out of the Eglu Cube everyday. If you are away, then leave the Eglu Cube door open so that the chickens can get out into the run in the morning. Not letting your chickens out will lead to distressed chickens and could lead to terminal overheating.
- Supervise children when they are using the Eglu Cube or interacting with the chickens.
- Take extra care when using a lawn mower around the 'skirt' of the run. Without care you will damage the 'skirt' with the lawn mower.
- Wash your hands thoroughly after coming into contact with the Eglu Cube or chickens.
- Be aware that chickens have sharp beaks and claws and they may peck or scratch at something that resembles food or looks interesting to them. Small shiny things are especially attractive to chickens.
- Check that the run door and rear panel are well secured. If they are not secure your chickens are at greater risk of escape and predators.
- Keep your Eglu Cube in a shady spot during hotter weather.

DON'Ts

- Do not sit or climb on the run. This is not only dangerous but can lead to the run being damaged.
- Do not let children inside the run or Eglu Cube. This could lead to them getting stuck.
- Do not leave the door of the run open while your chickens roost at night. This will compromise your chickens' safety by allowing predators to get into the run.
- Do not keep the Eglu Cube on uneven ground as this will make the run less secure. It can also cause the run 'skirt' to be a tripping hazard.
- Do not use bleach, solvents or strong detergent to clean the Eglu Cube. They could damage the plastic.
- Do not keep the Eglu Cube near sources of ignition, such as a bonfire or barbecue, because they could set the Eglu Cube on fire.
- Do not use the Eglu Cube to house animals other than chickens. It has not been designed for any other purpose.
- Do not keep more than 6 heavy breeds, 8 medium sized breeds or 10 small breeds in the Eglu Cube with the standard run and extension.

SPACE TO BE



Omlet

© Copyright Omlet Ltd. 2024

Design registered, patent pending

Omlet and Eglu are registered trademarks of Hebe Studios Ltd.

820.3240_ Instruction Manual Cube 6ft Run RP_ 02/10/2024



Please
reuse &
recycle.

