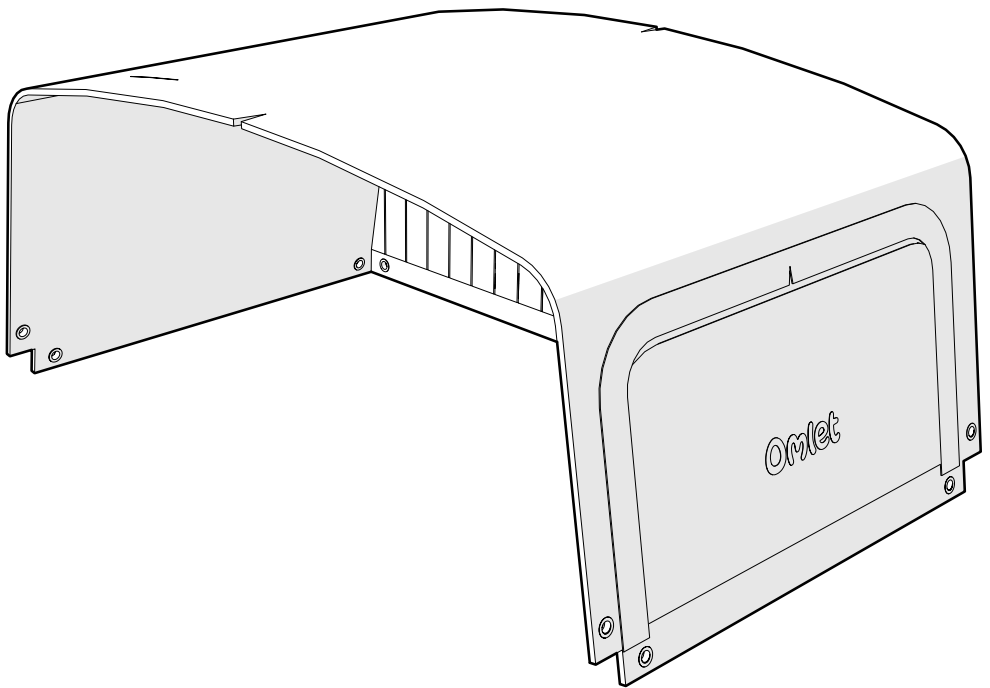


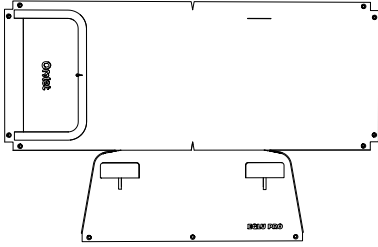
# EXTREME WEATHER JACKET

Assembly guide for Eglu Pro



**Omlet**

## What you have received



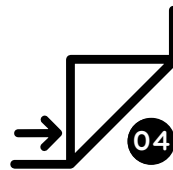
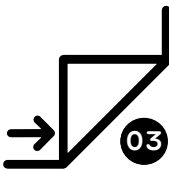
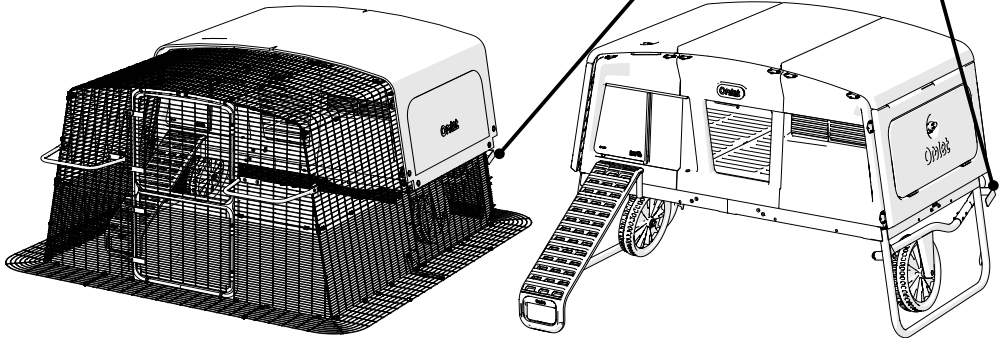
X1  
Eglu Pro Extreme  
Weather Jacket  
075.0041

810.0058: Bungees Bagged

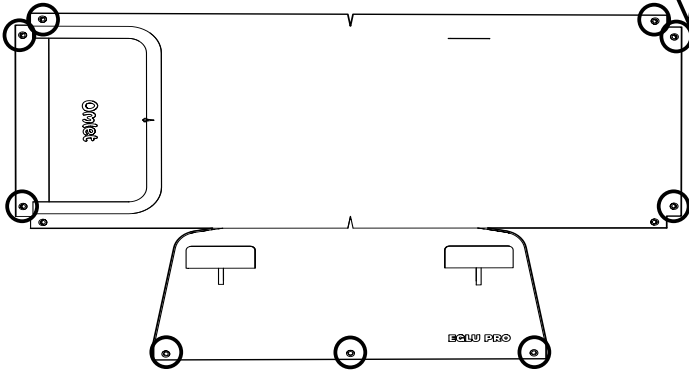
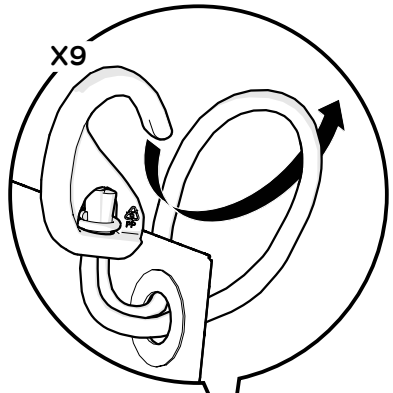


X9  
Bungee  
810.0017

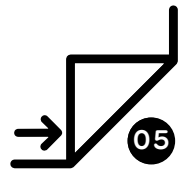
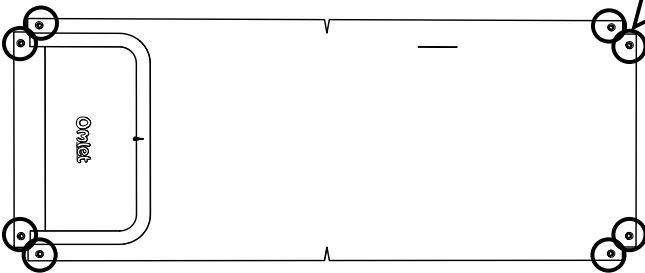
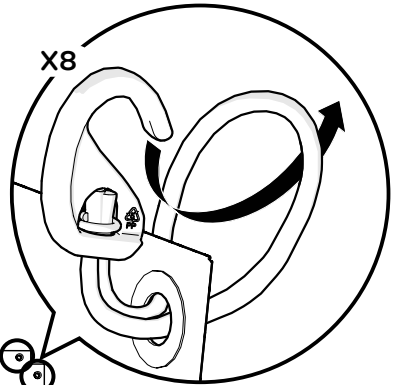
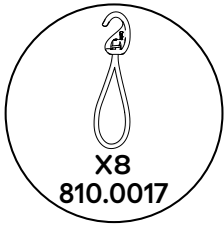
Don't overlap bungees on wheel arms.



1



or

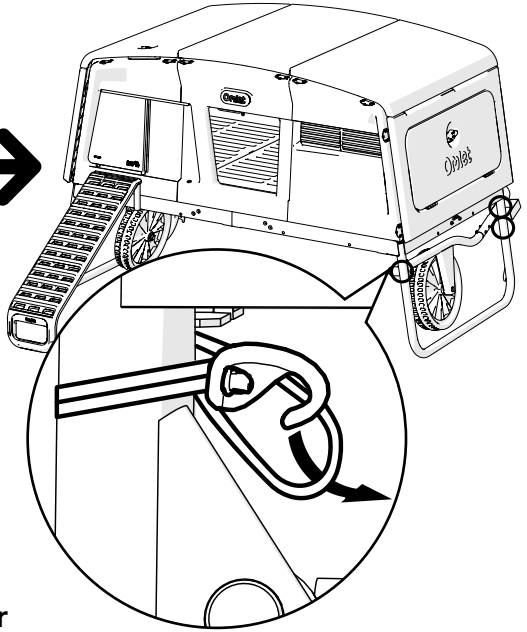
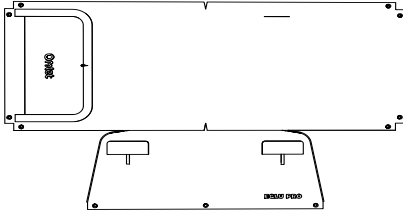


03

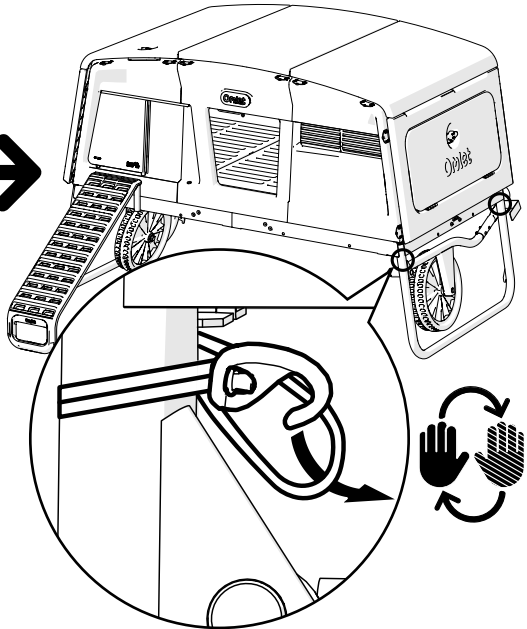
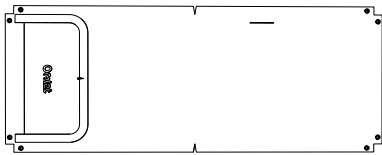
1



Repeat on other side

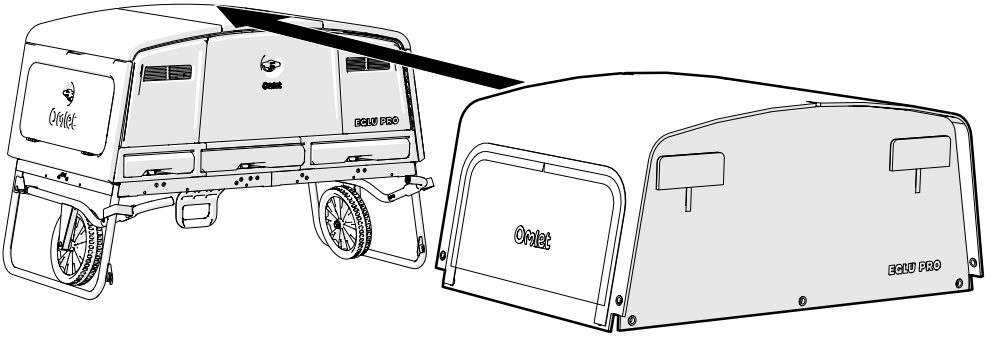


or

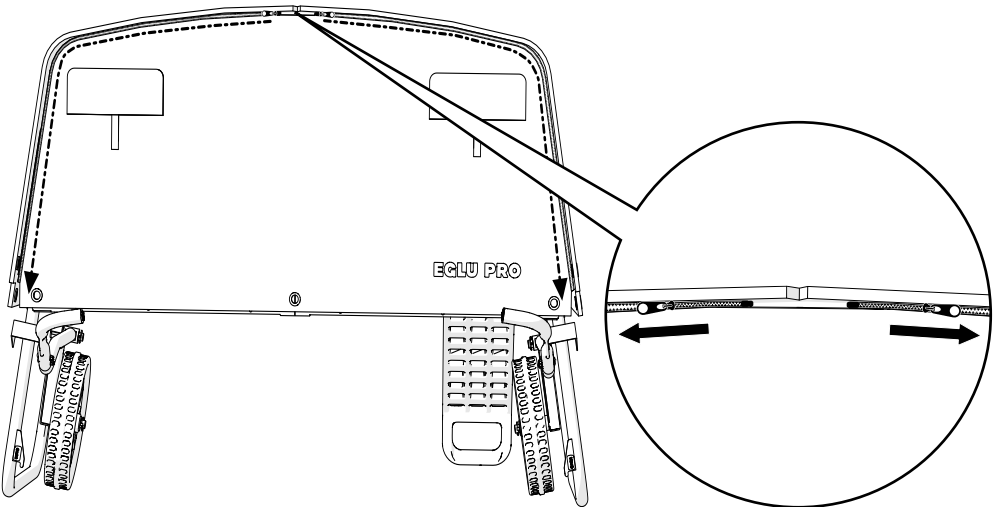


2

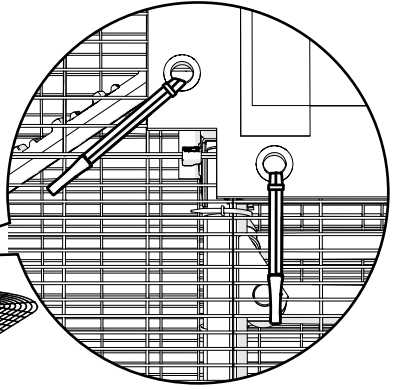
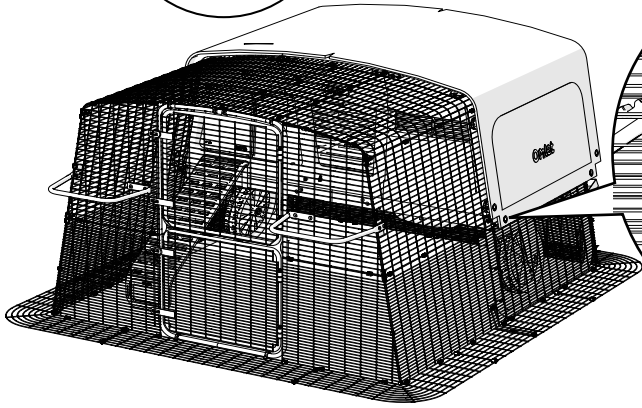
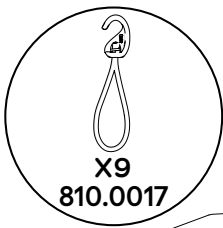
Make sure the Jacket is central on your Pro coop.



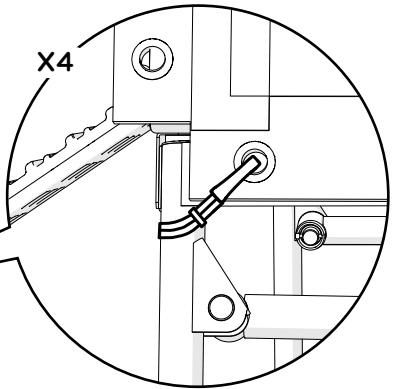
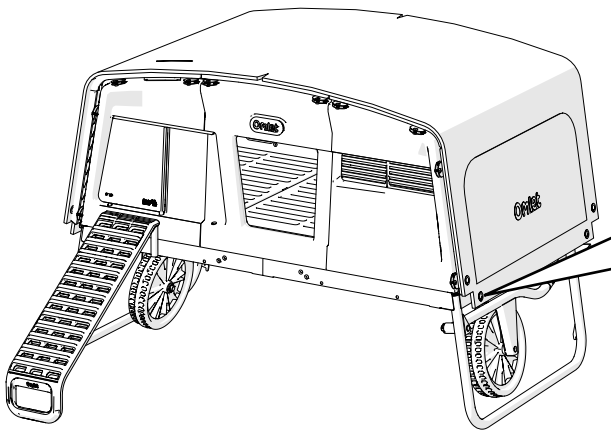
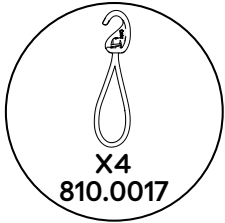
3



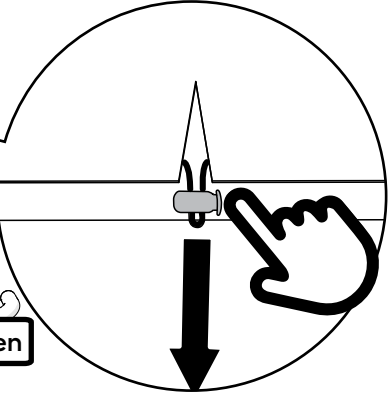
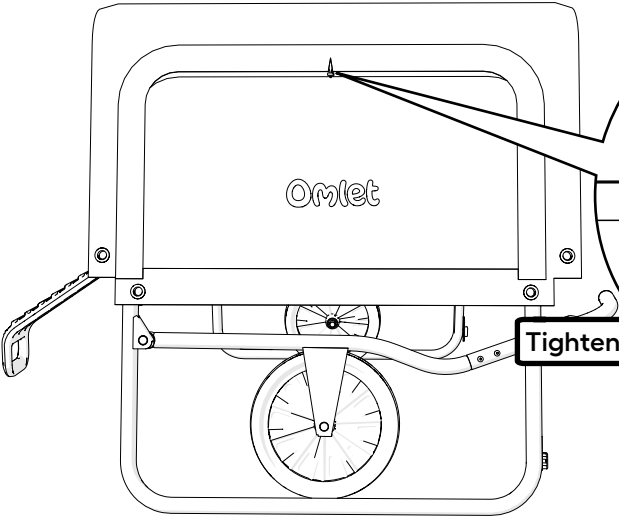
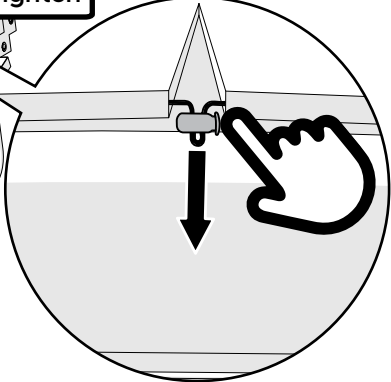
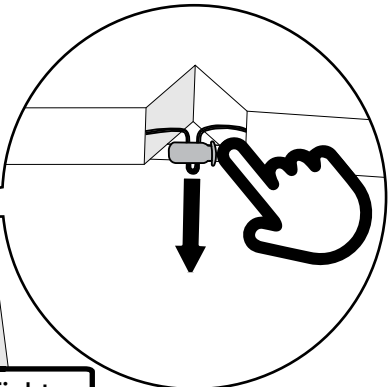
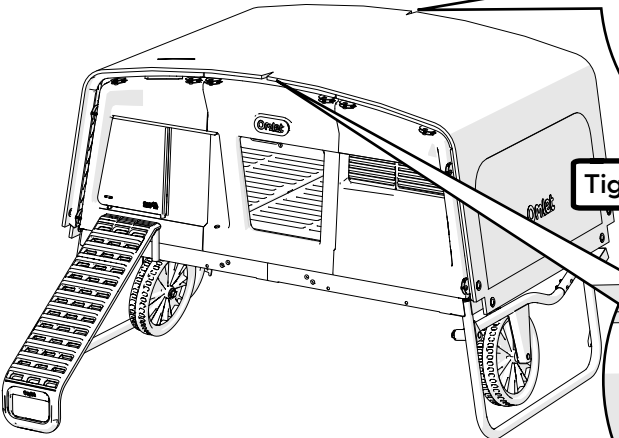
4



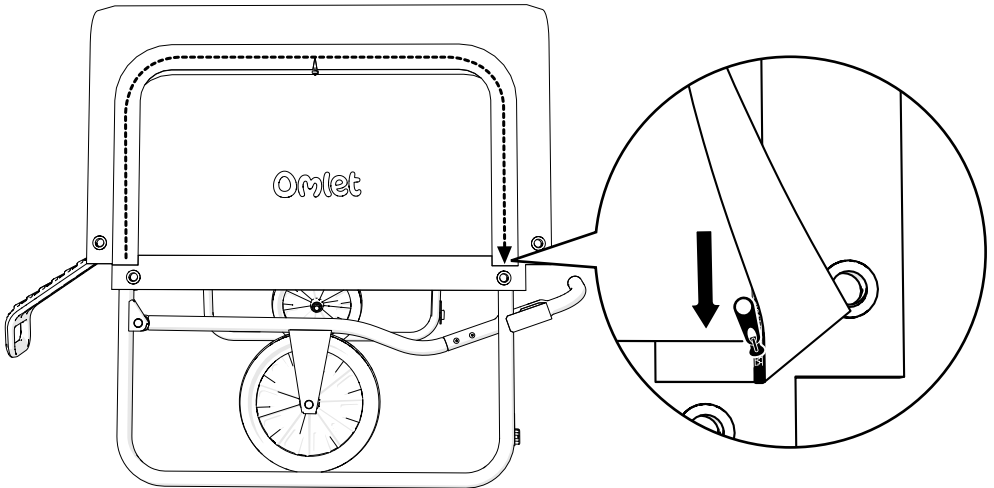
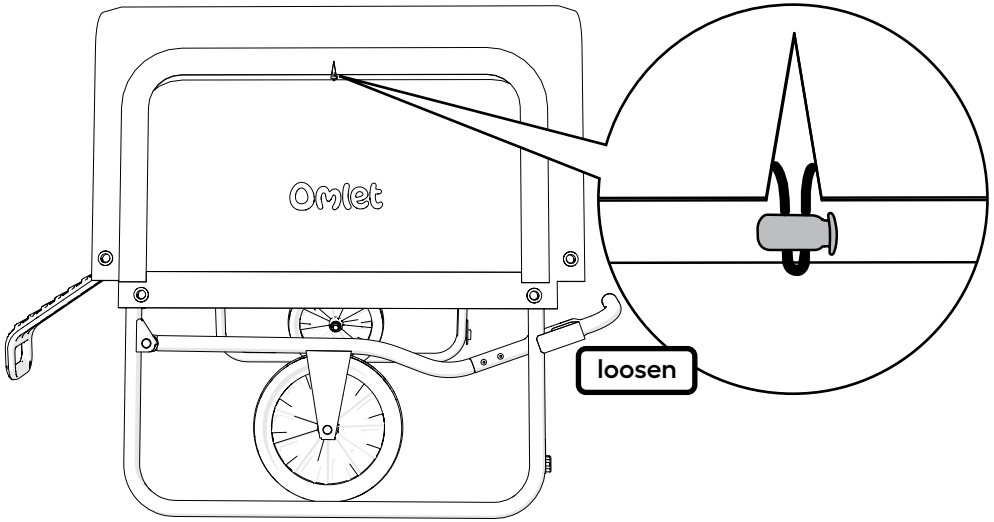
or



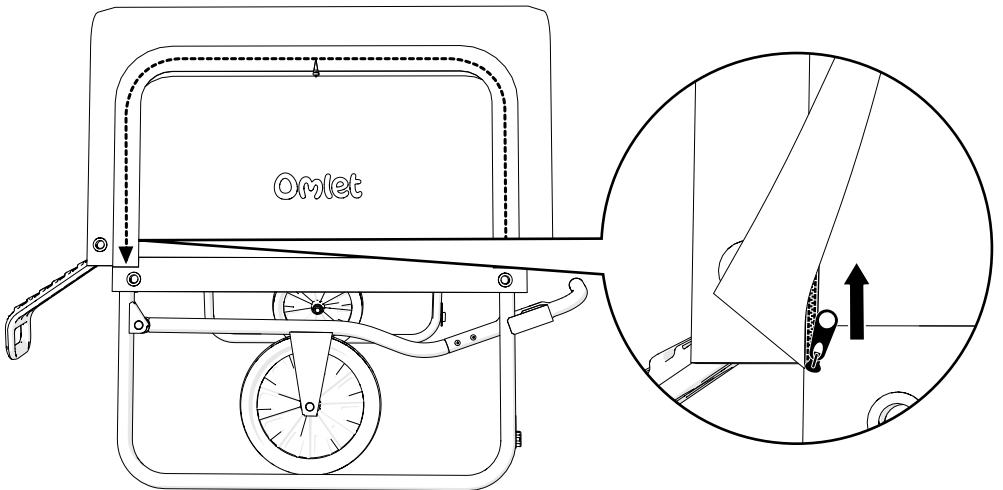
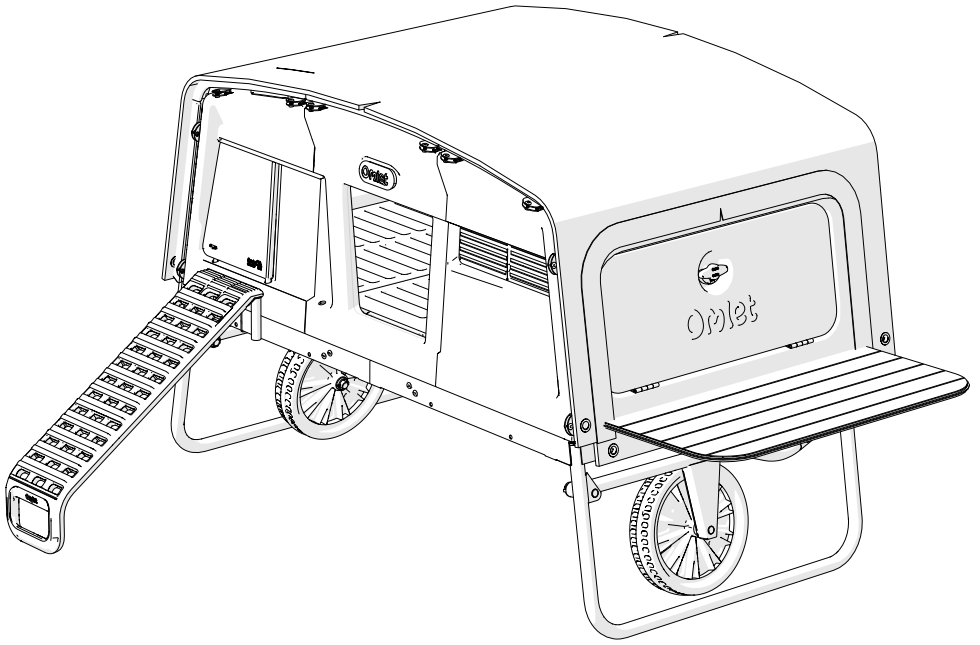
5

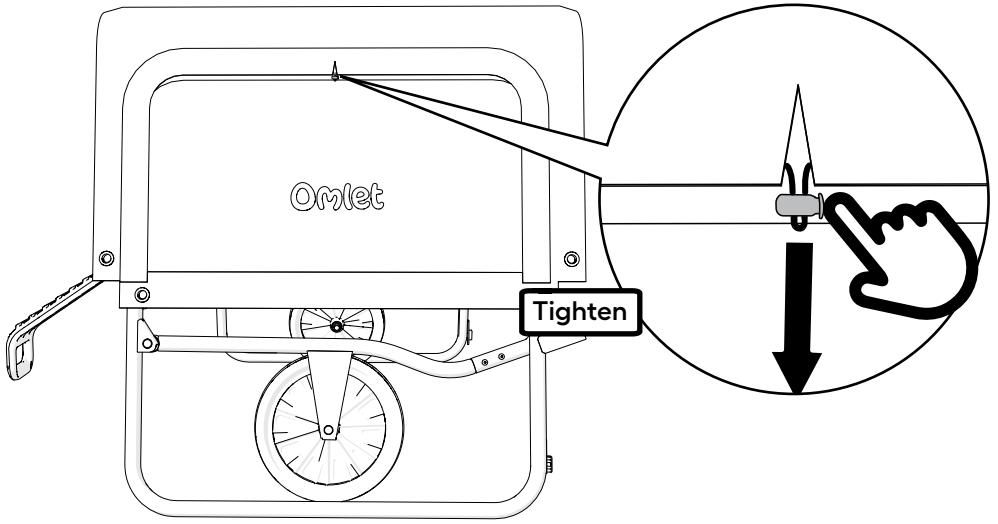


# Door

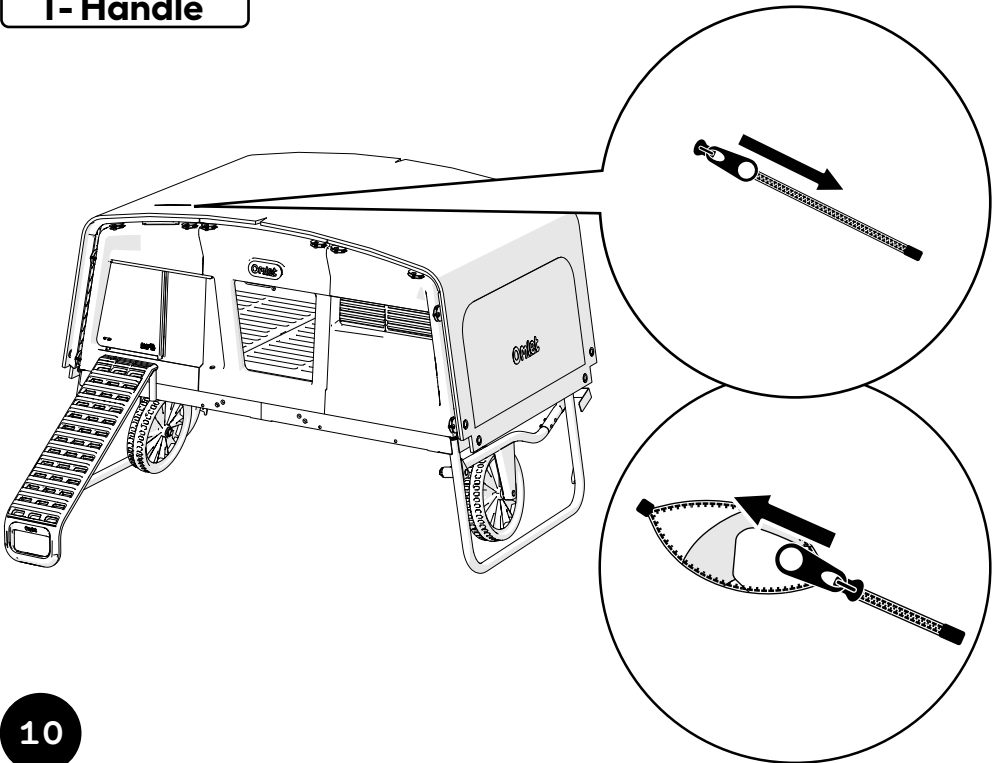






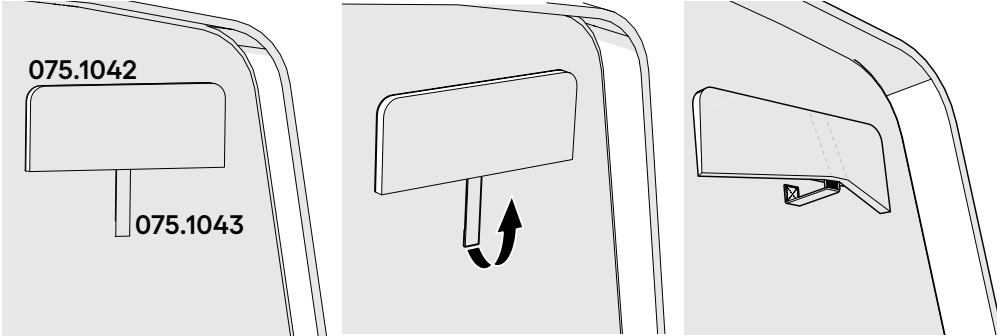


### T-Handle

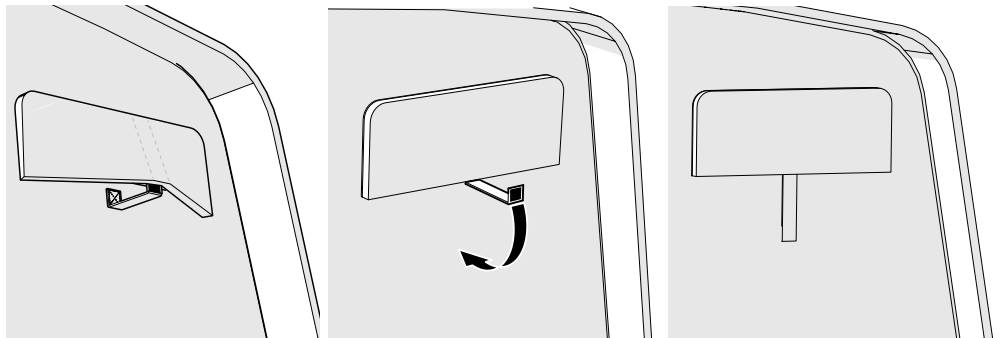


**Rear vents**

**Open**



**Close**



**WE ASK.  
WE INVENT.**

**Omlet**



Please  
reuse &  
recycle.

© Copyright Omlet Ltd. 2024

Design registered, patent pending

Omlet is a registered trademark of Hebe Studio Ltd.

820.2764\_Instruction Manual Eglu Pro Extreme Weather

Jacket\_07/08/2024



5 055350 053500