

# EASY ACCESS RUN DOOR

Assembly guide



Omlet

# ICONS

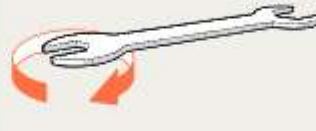
We've provided this page so you can keep it handy and refer to it throughout the build.



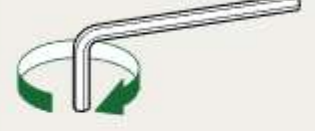
Hold still



Fully loosen



Partially tighten



Fully tighten



Fully unscrew



Fully screw in



Correct



Incorrect



Go to step...



Pay attention



Repeat - Other side



Warning



[www.omlet.us/how\\_to\\_build](http://www.omlet.us/how_to_build)

## What you have received

### 114.0139 Boxed Easy Access Run Door

810.0024.006000  
Bagged Mighty Clip A



X6

810.0135

810.0139.006 Bagged  
Mighty Clip C



X24

810.0134

810.0189.006 Bagged  
Mighty Clip E



X6

810.0185

114.0144 Bagged M6 x 12mm  
Bolts & 4mm Allen Key



X2

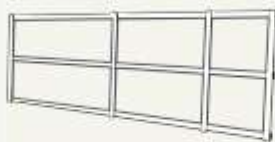
800.0472



X1

Allen Key 4mm  
810.0117

114.0142 Bagged  
Door Extender



X2

114.1281

114.0143 Bagged Bottom Lock Assembly



X1

Lock Front  
114.1266



X1

Lock Back  
114.1267



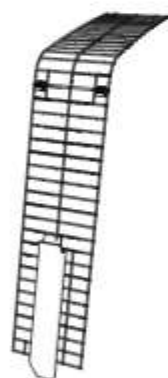
X2

M3 x 14mm  
800.0524



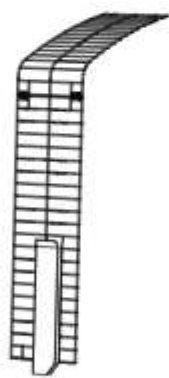
X2

M3 x 7mm  
800.0540



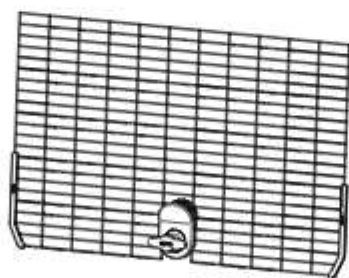
X1

Mesh Panel Right Side  
114.0076



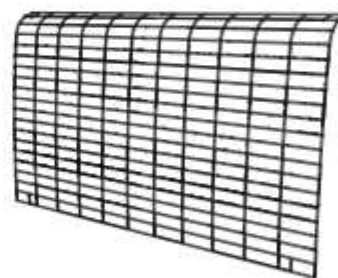
X1

Mesh Panel Left Side  
114.0077



X1

Mesh Panel Door and Lock  
114.0140



X1

Mesh Panel Roof  
114.1235

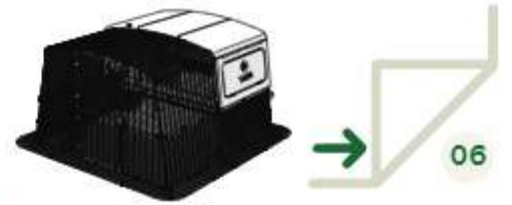


X1

Metal Brace  
114.0124

## You will need...





If you want to attach the Easy Access Run Door to a 2m/6ft Eglu Pro run.



If you want to attach the Easy Access Run Door to an unassembled 3m+/9ft+ Eglu Pro run + extension.



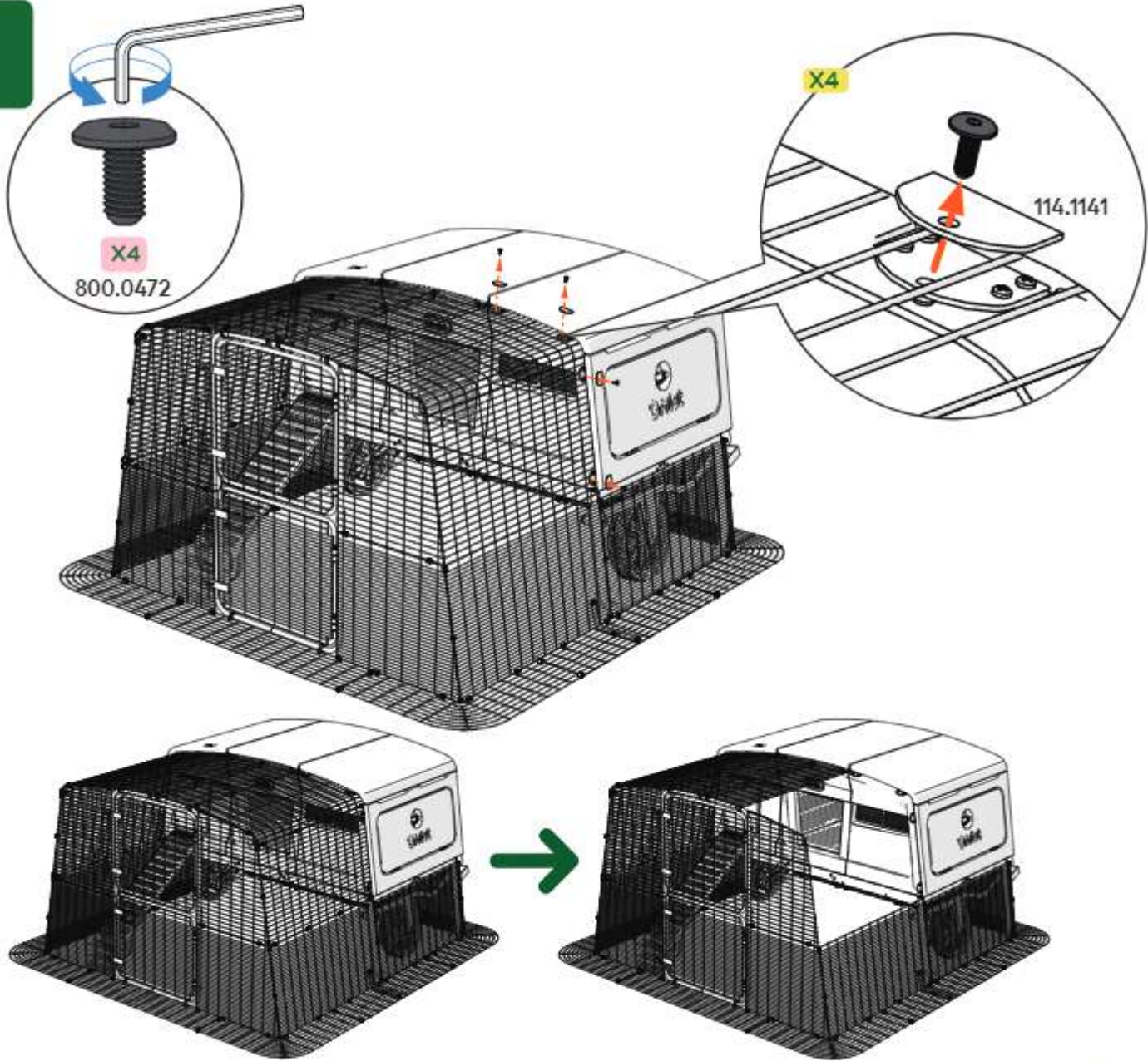
If you want to attach the Easy Access Run Door to a pre-assembled 3m+/9ft+ Eglu Pro run + extension.



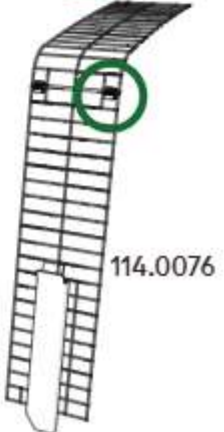
If you want to attach the Easy Access Run Door to an Eglu Cube Mk2 run.



1



If assembling in position as shown here, first remove this clip from the Mesh Panel Right Side (114.0076). If assembling on the opposite side of the run, first remove the opposite clip from the Mesh Panel Left Side (114.0077) instead.

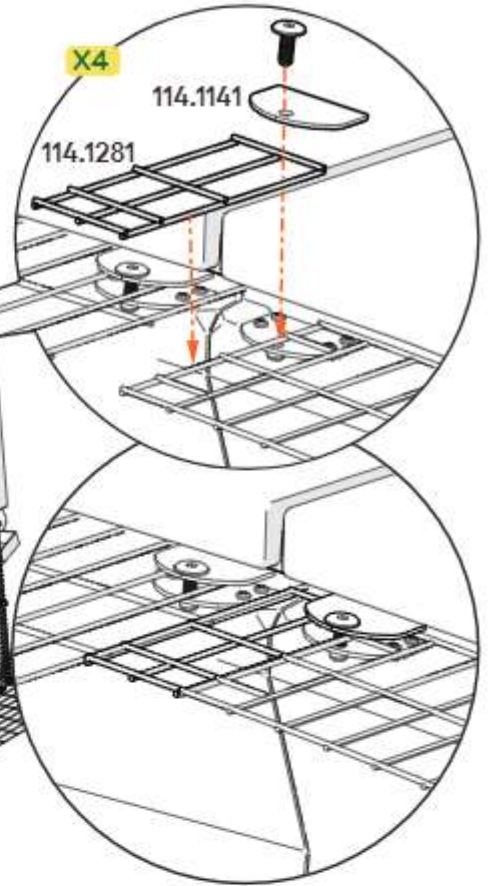




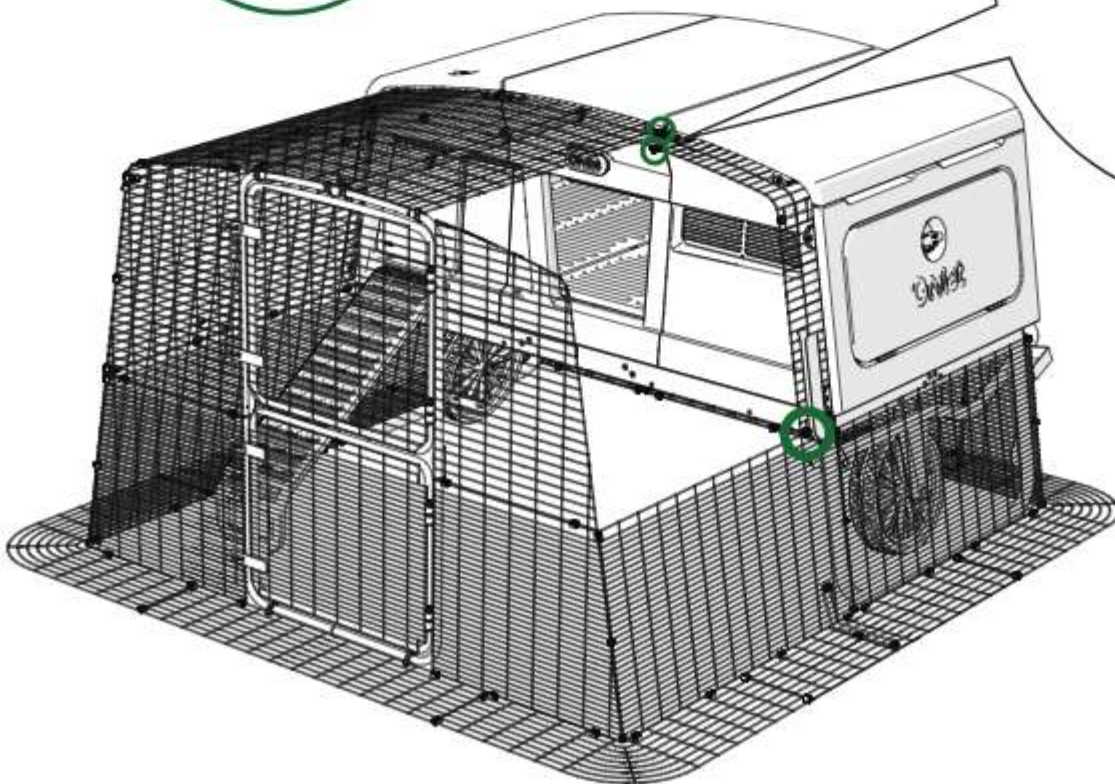
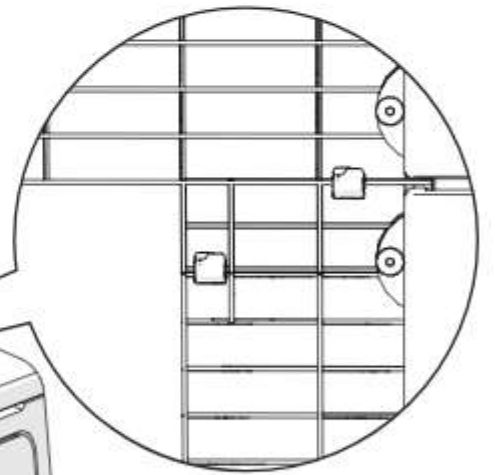
2



114.1281 114.0076

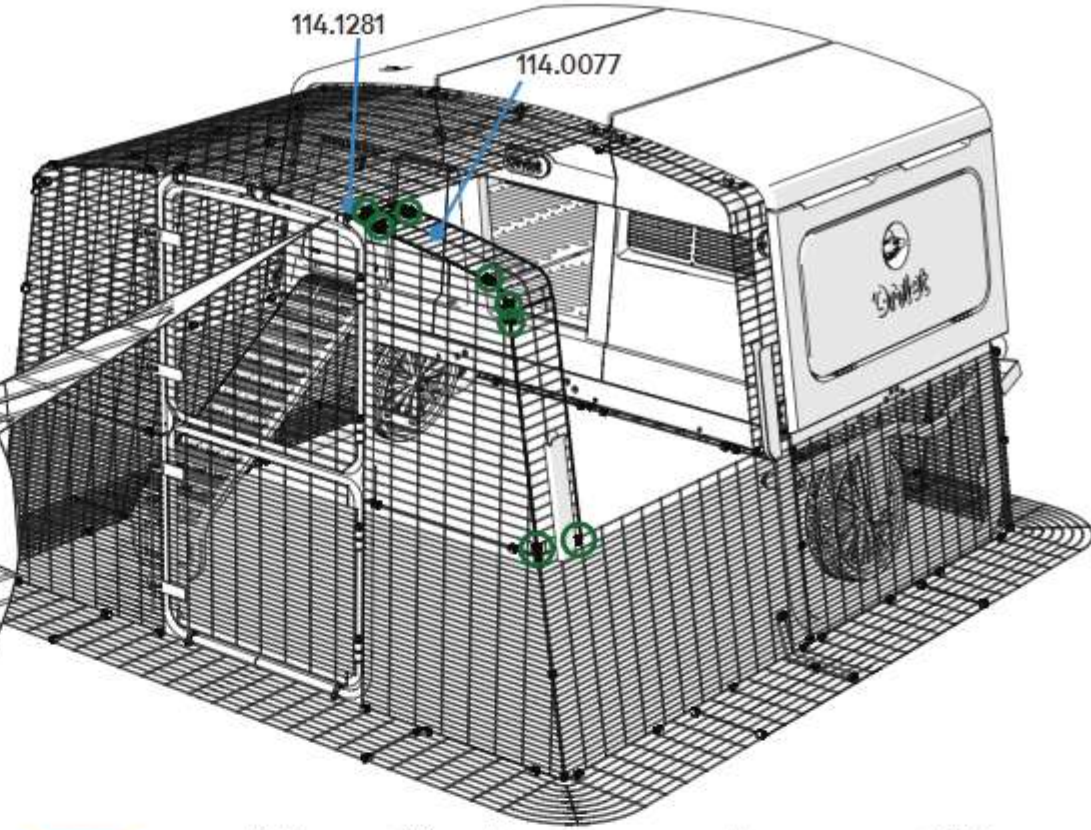
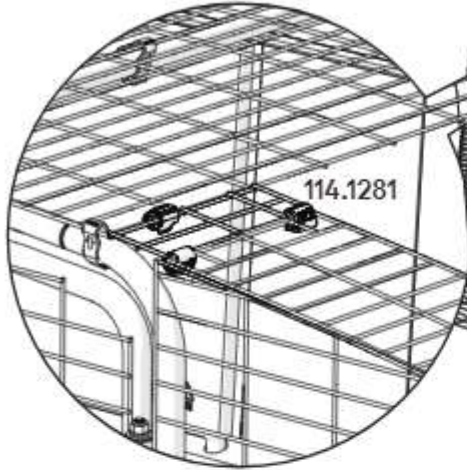


3

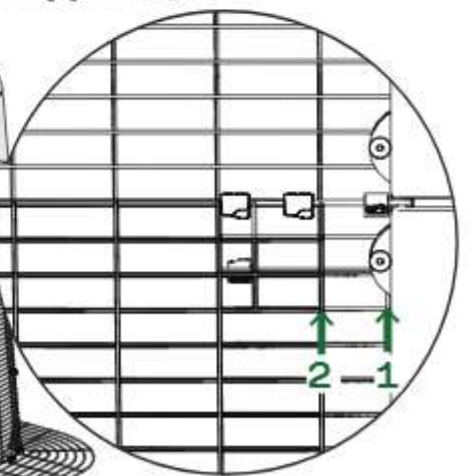
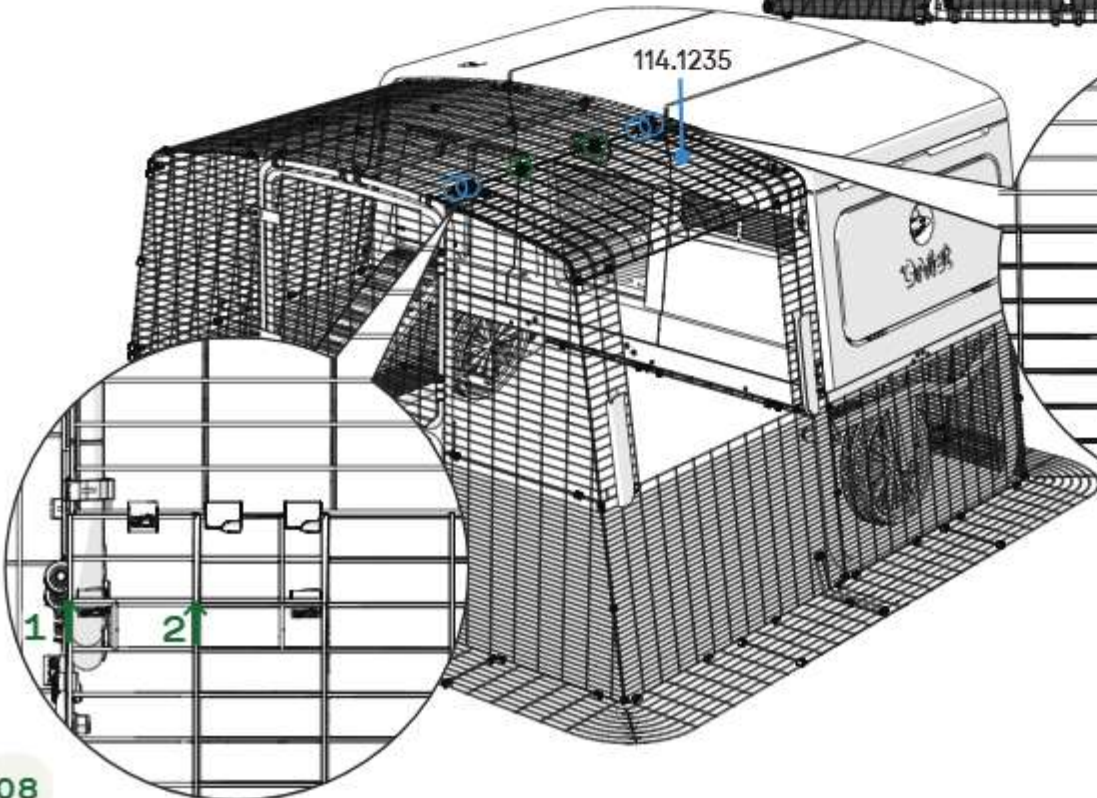




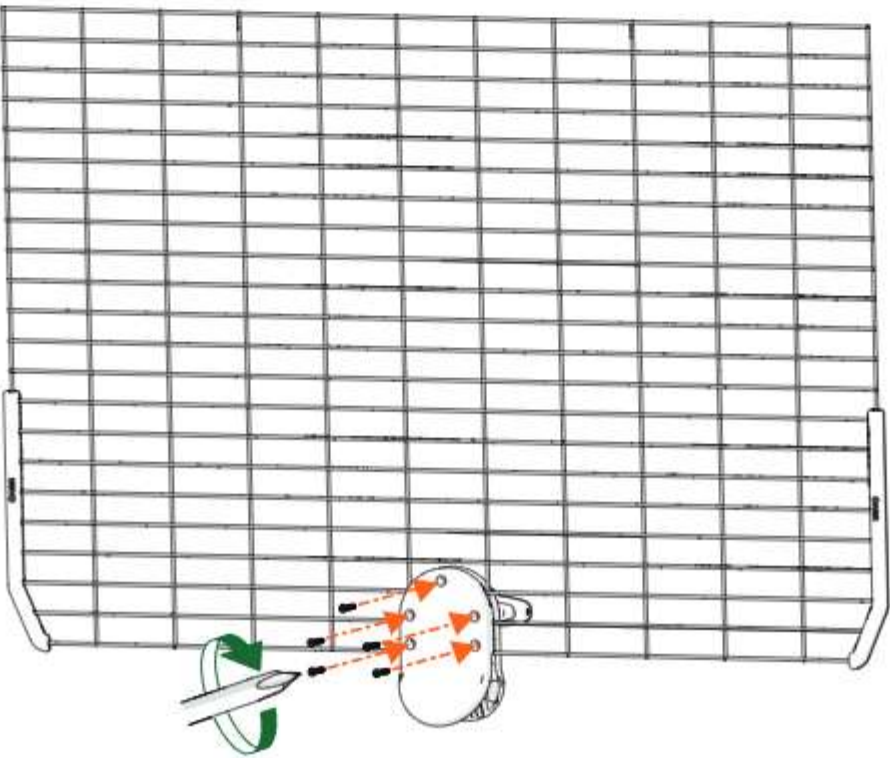
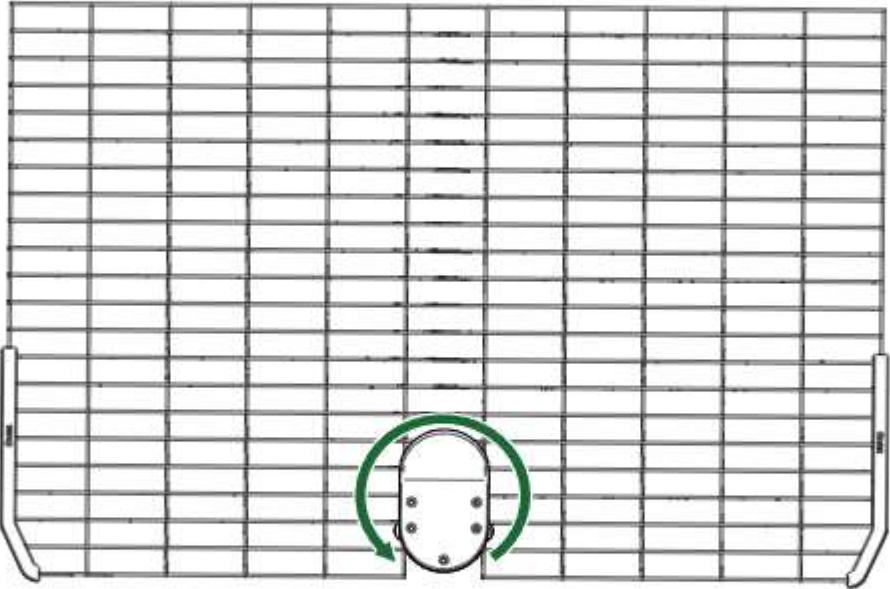
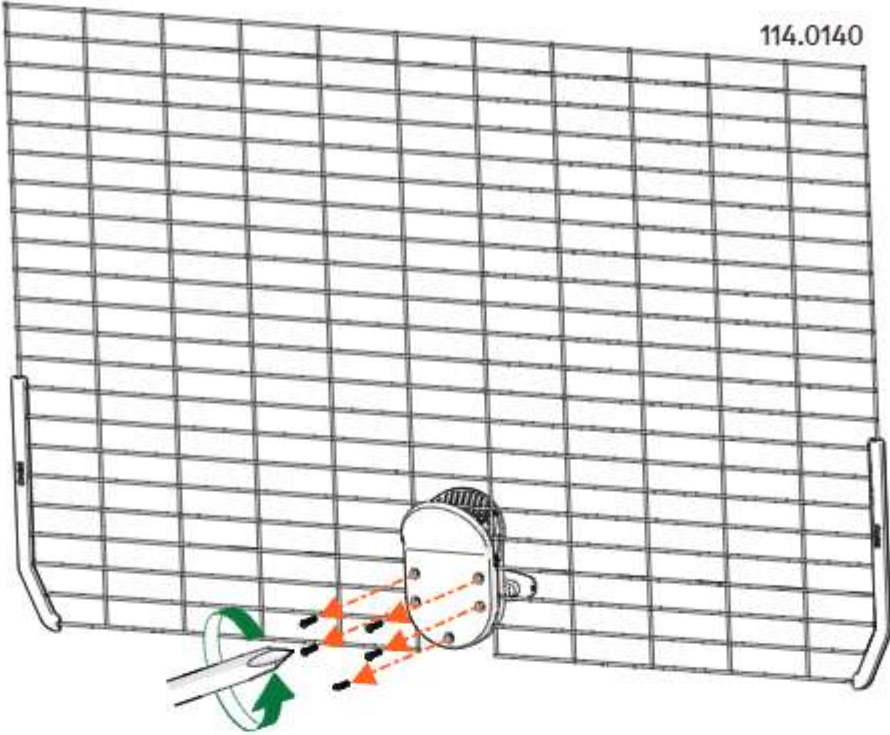
4



5

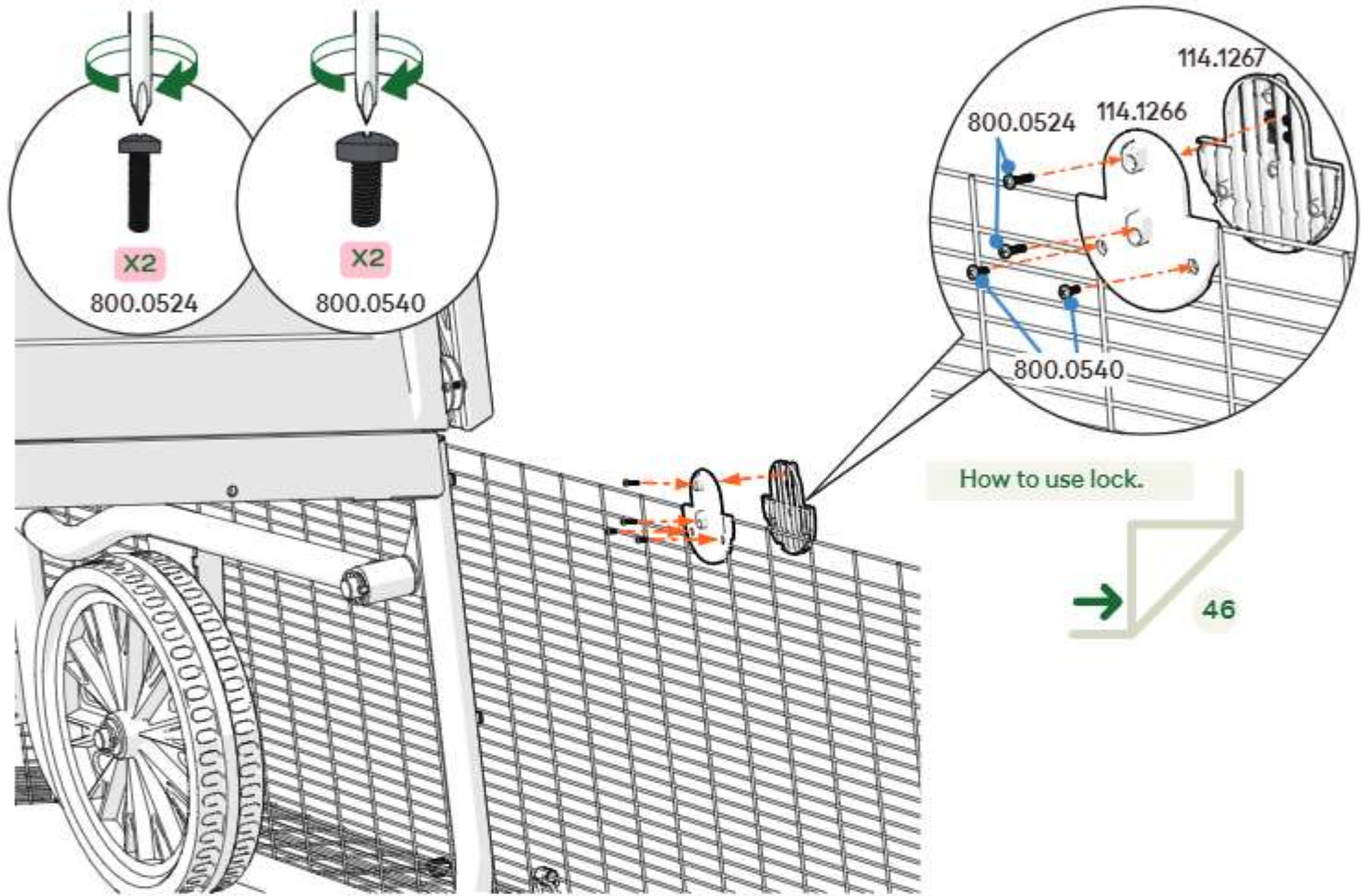




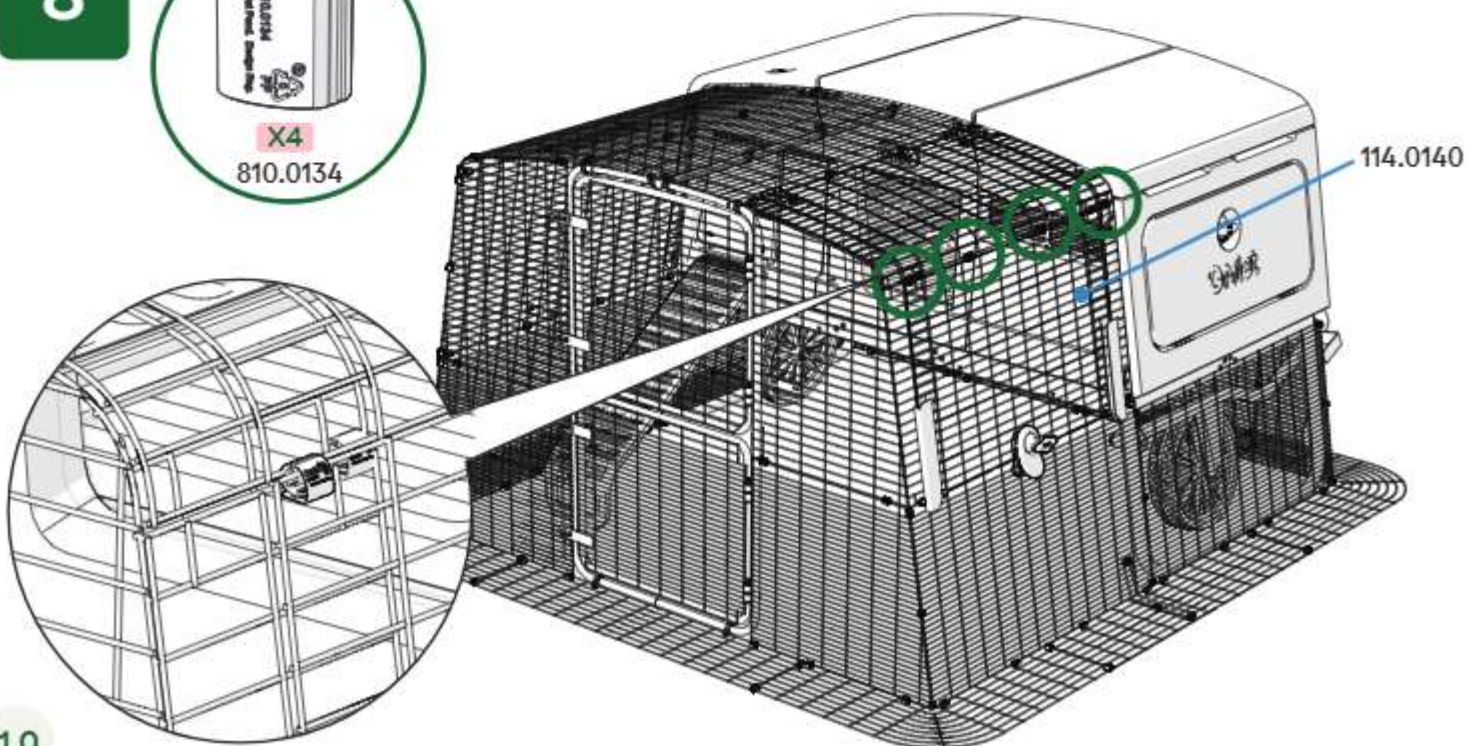


7

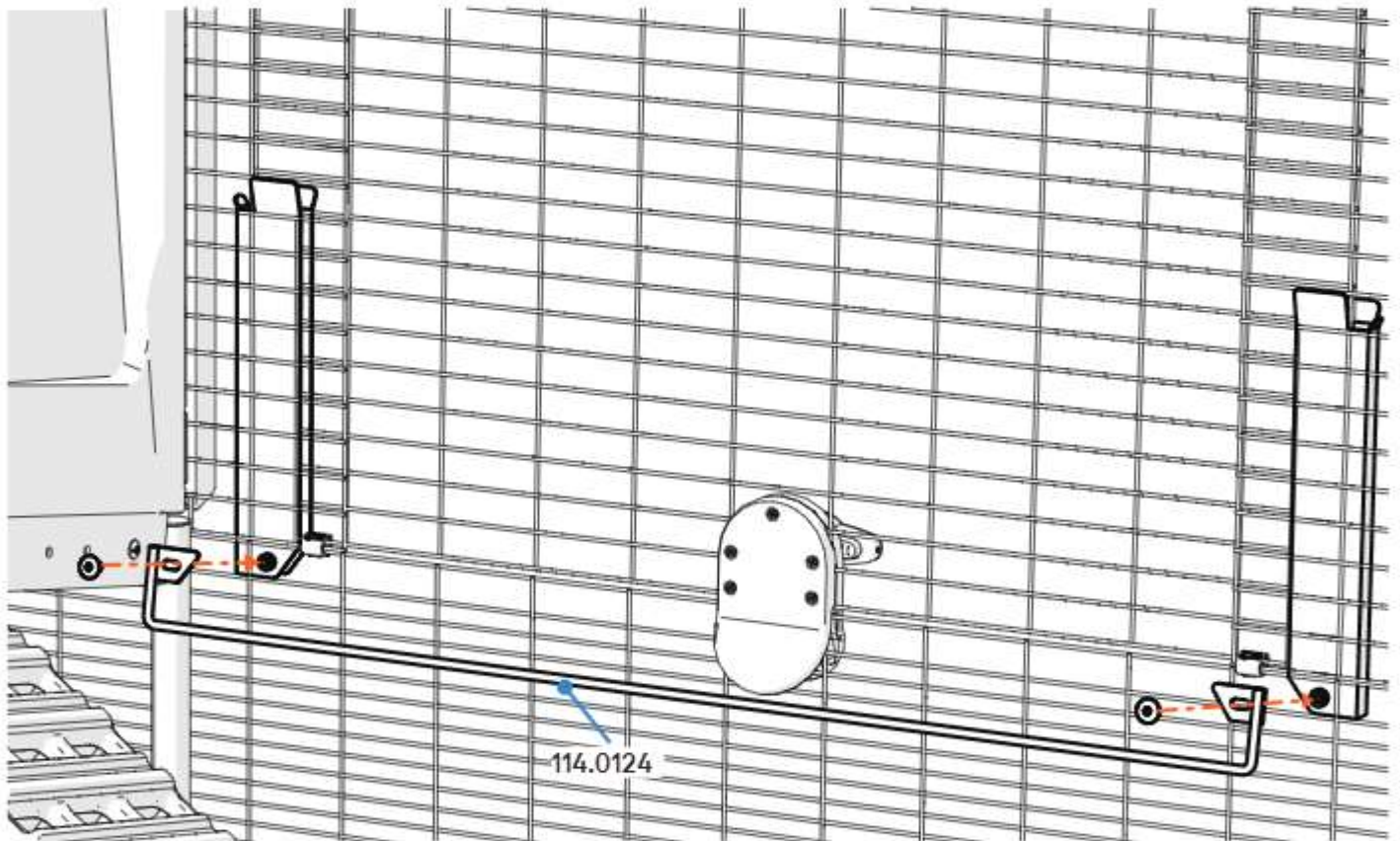
Assemble this part from inside your run.



8







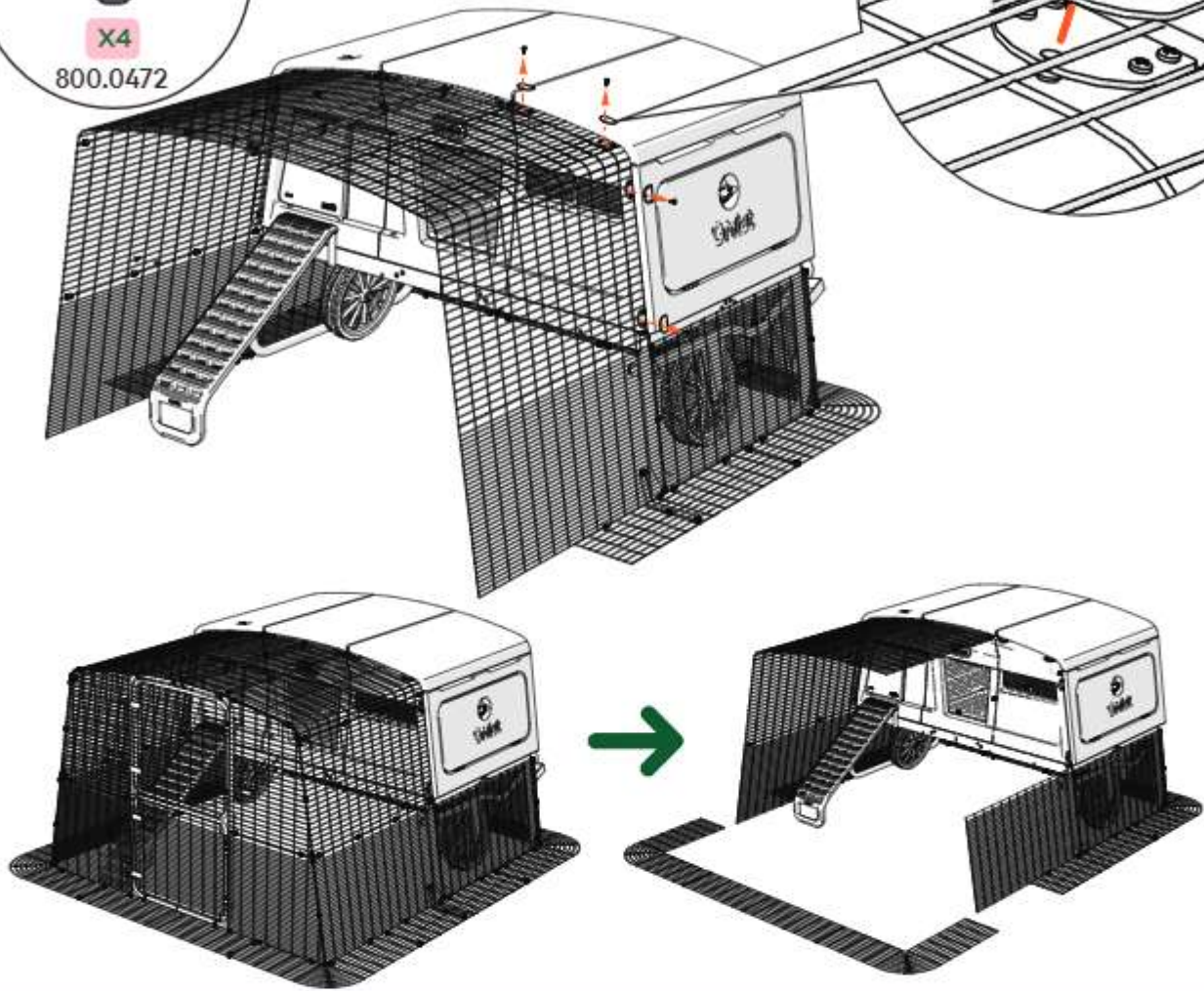
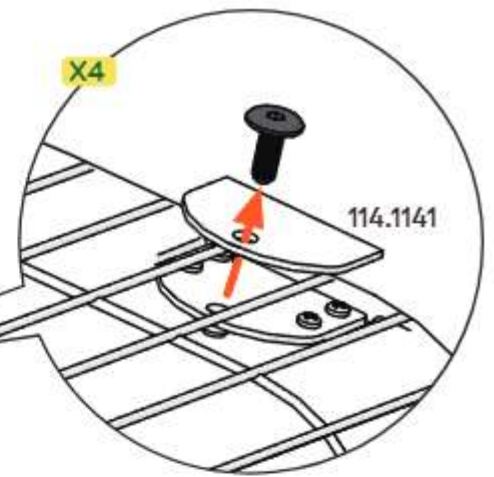
**That's it! Your Easy Access Run Door is complete!**



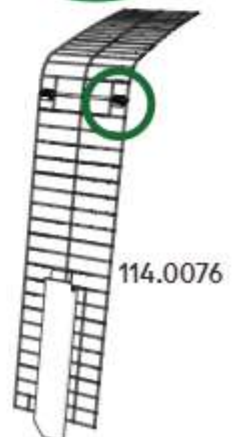
1



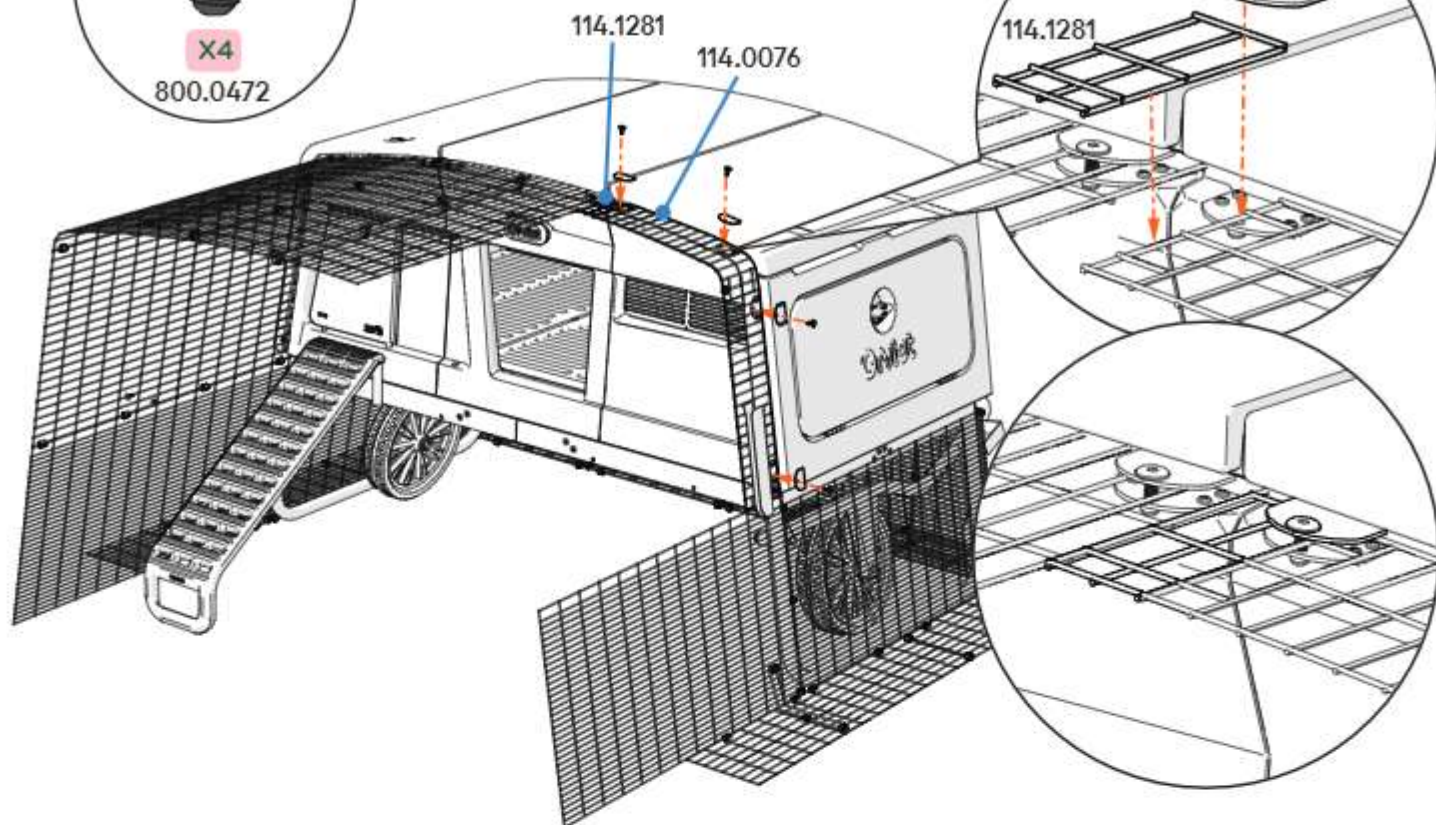
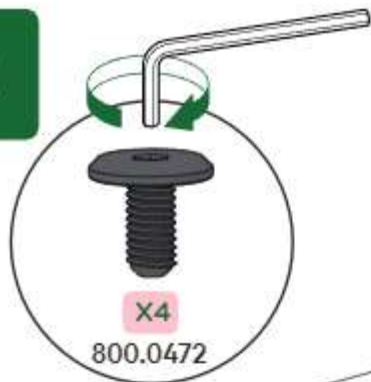
X4



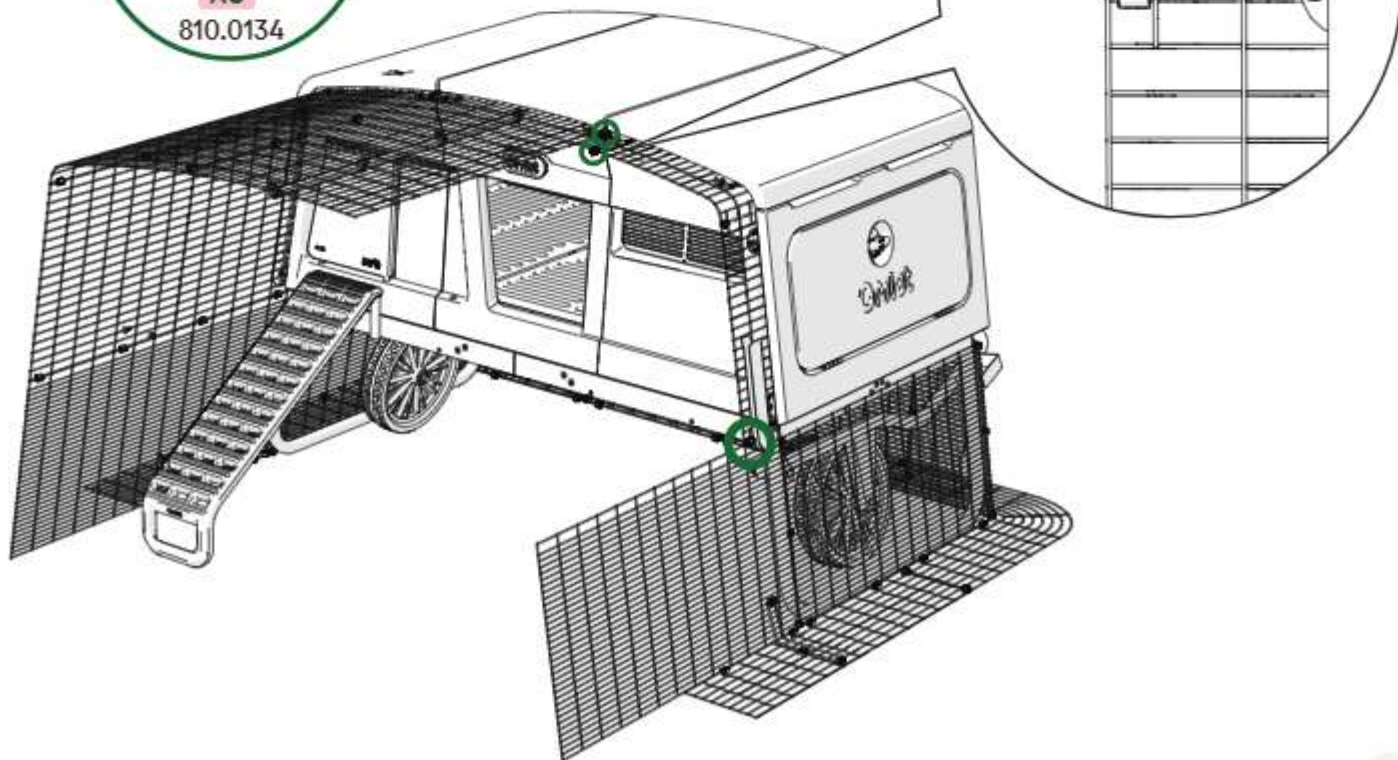
If assembling in position as shown here, first remove this clip from the **Mesh Panel Right Side (114.0076)**. If assembling on the opposite side of the run, first remove the opposite clip from the **Mesh Panel Left Side (114.0077)** instead.



2

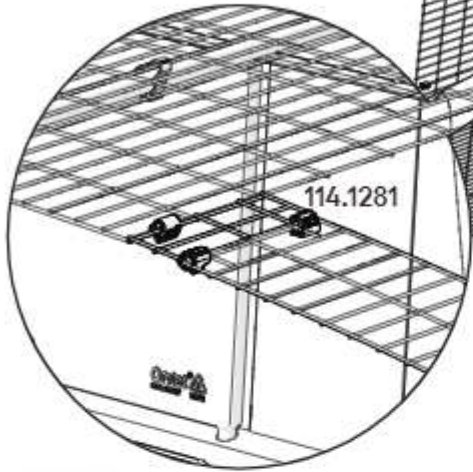
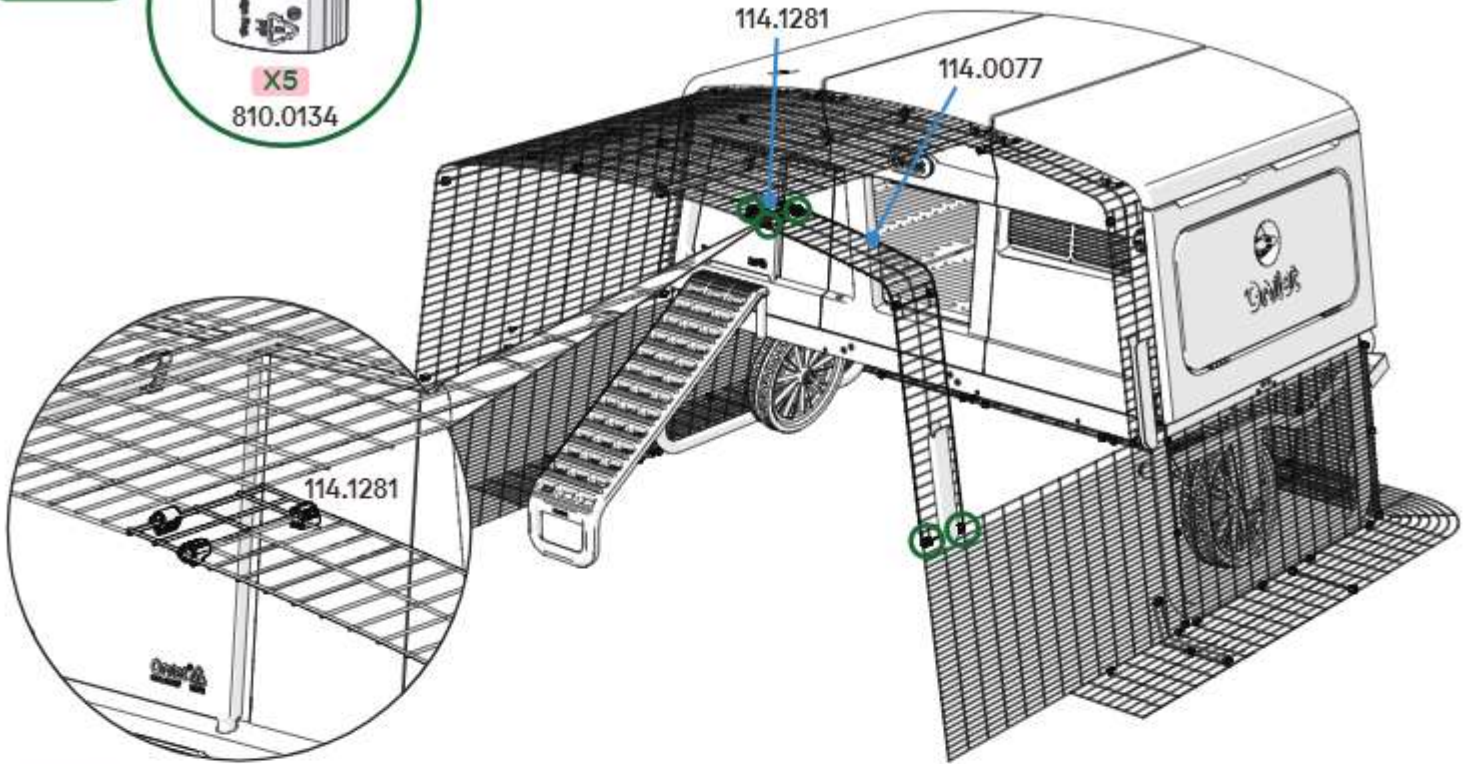


3

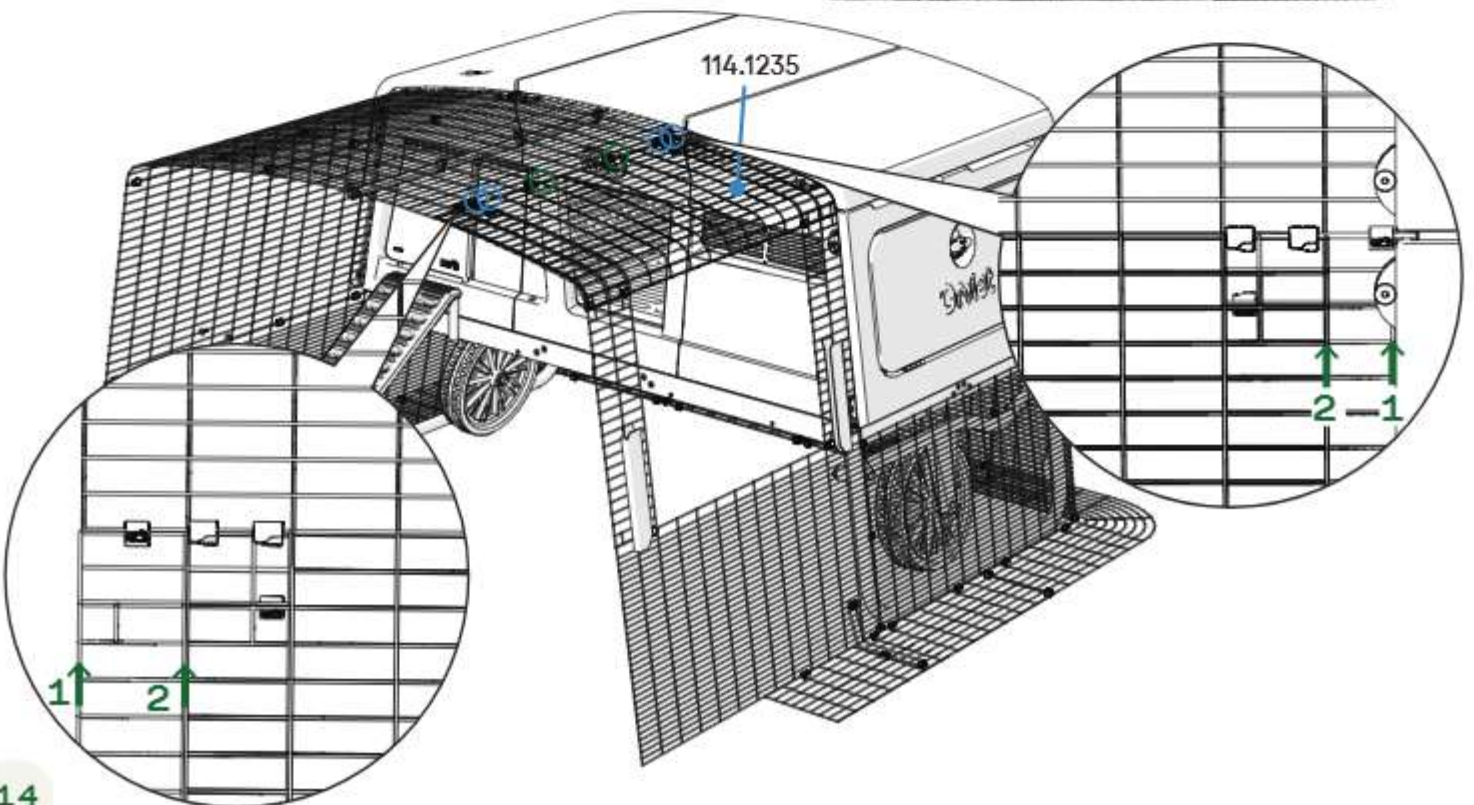
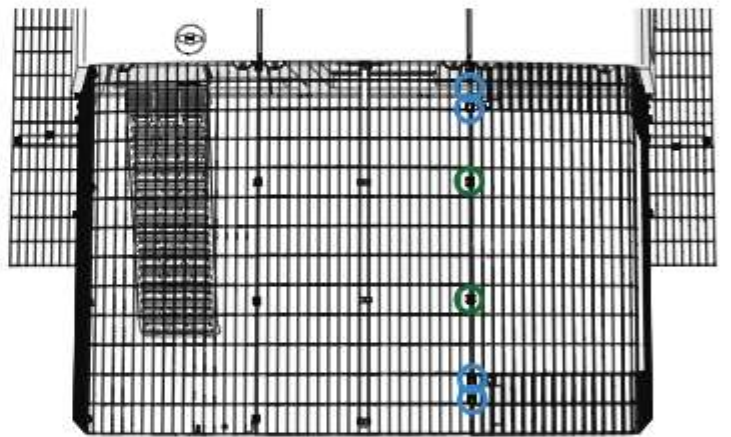




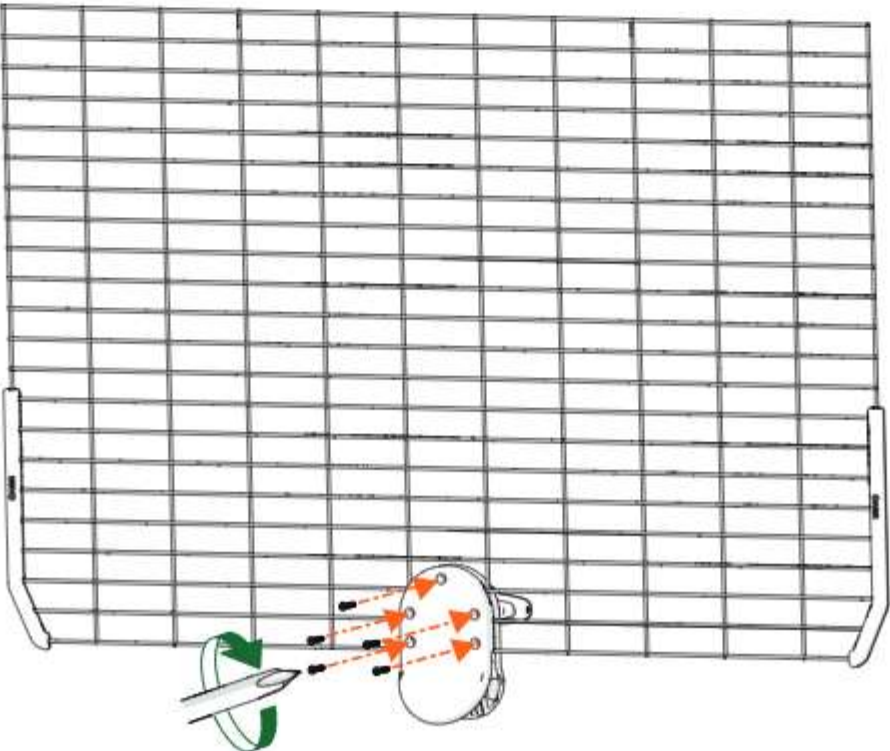
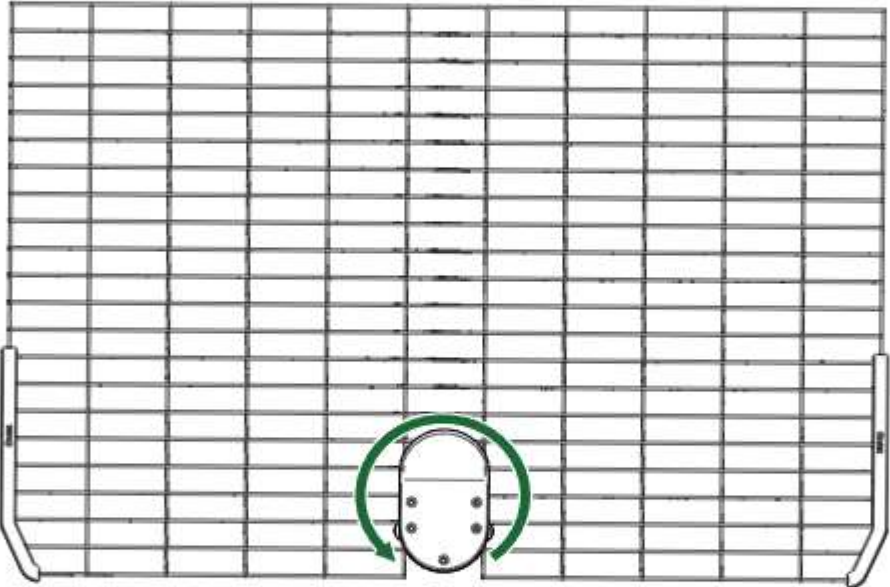
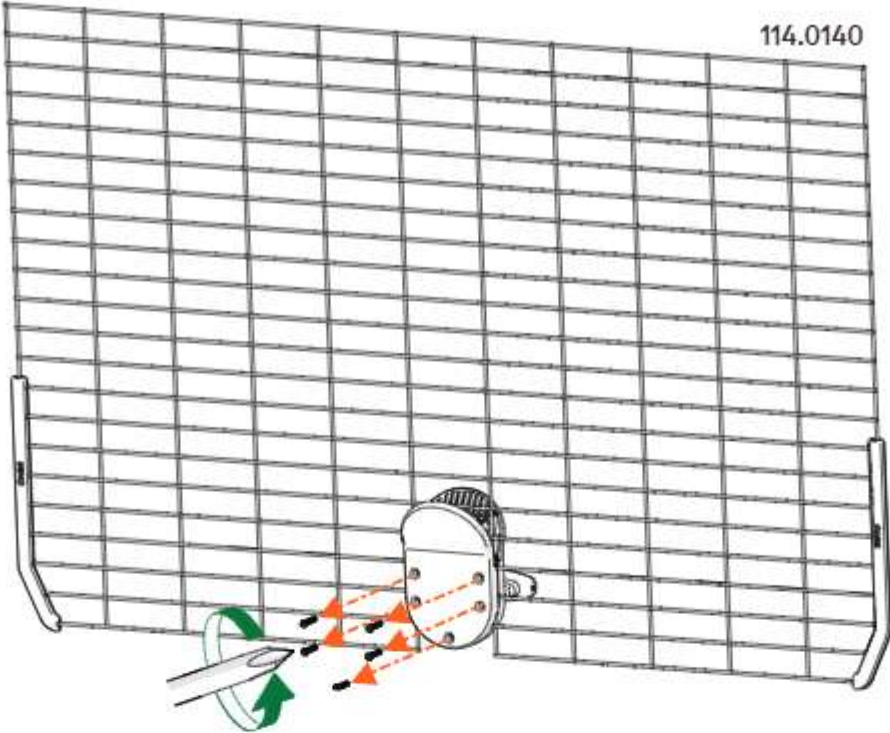
4



5

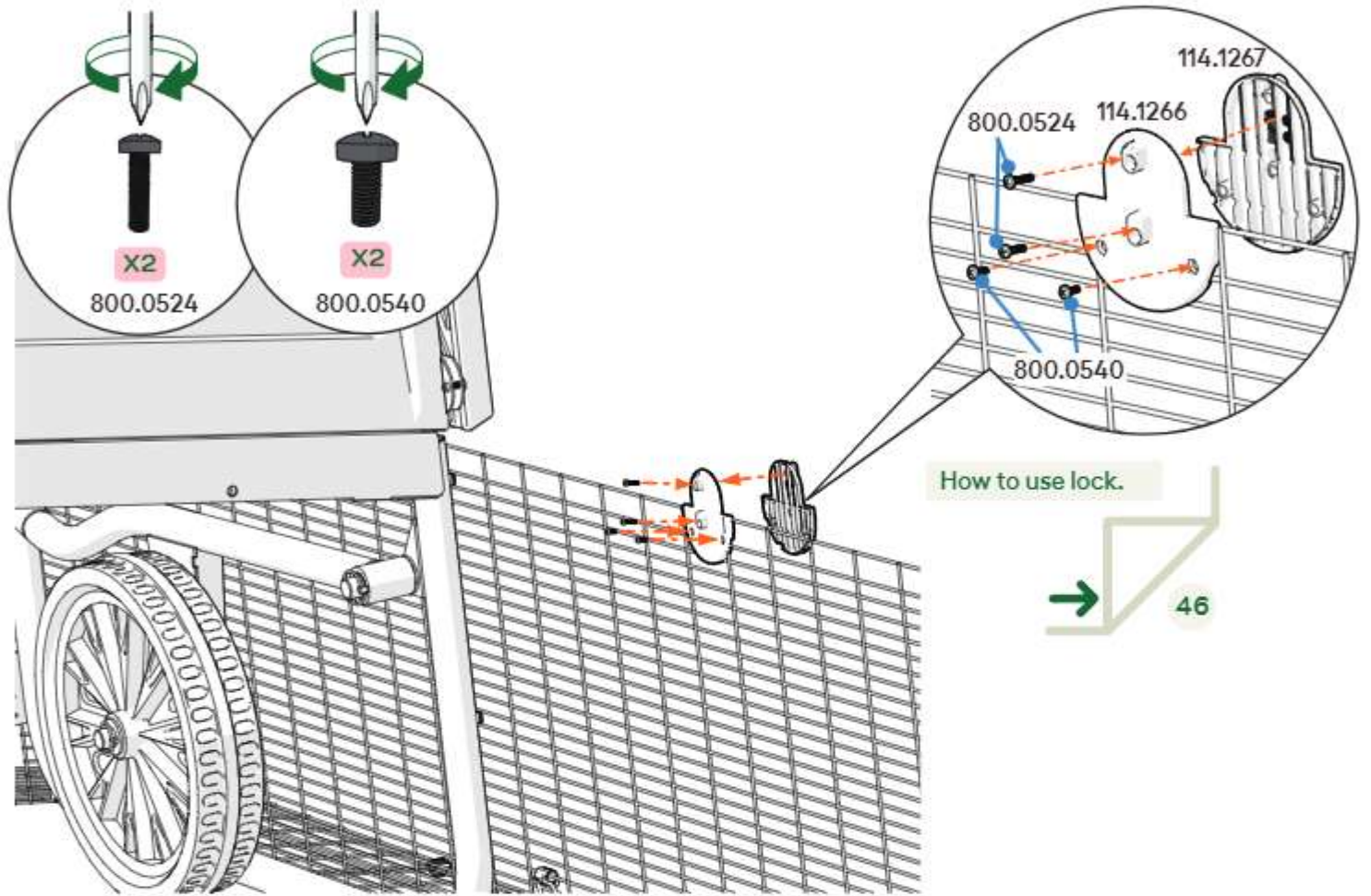




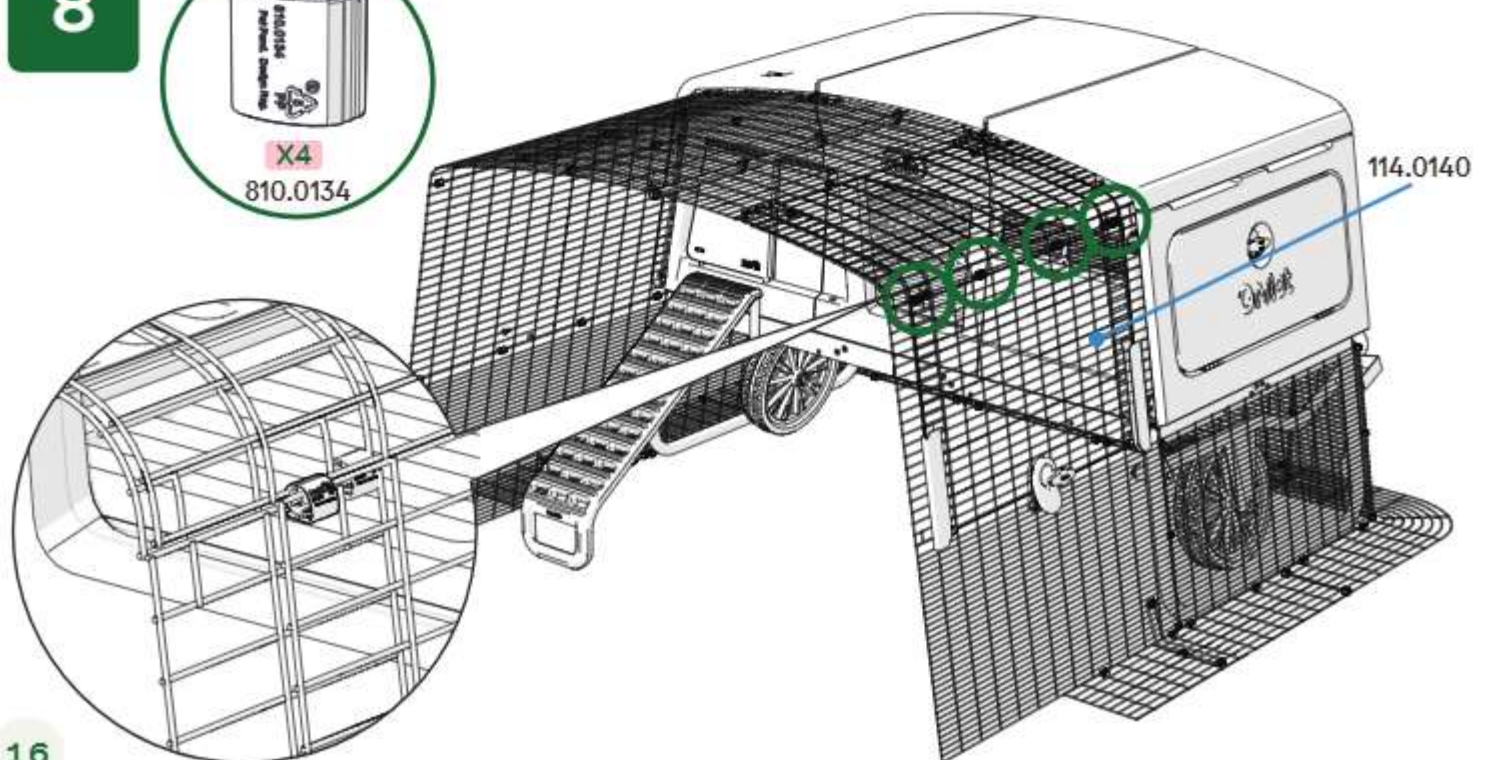


7

Assemble this part from inside your run.



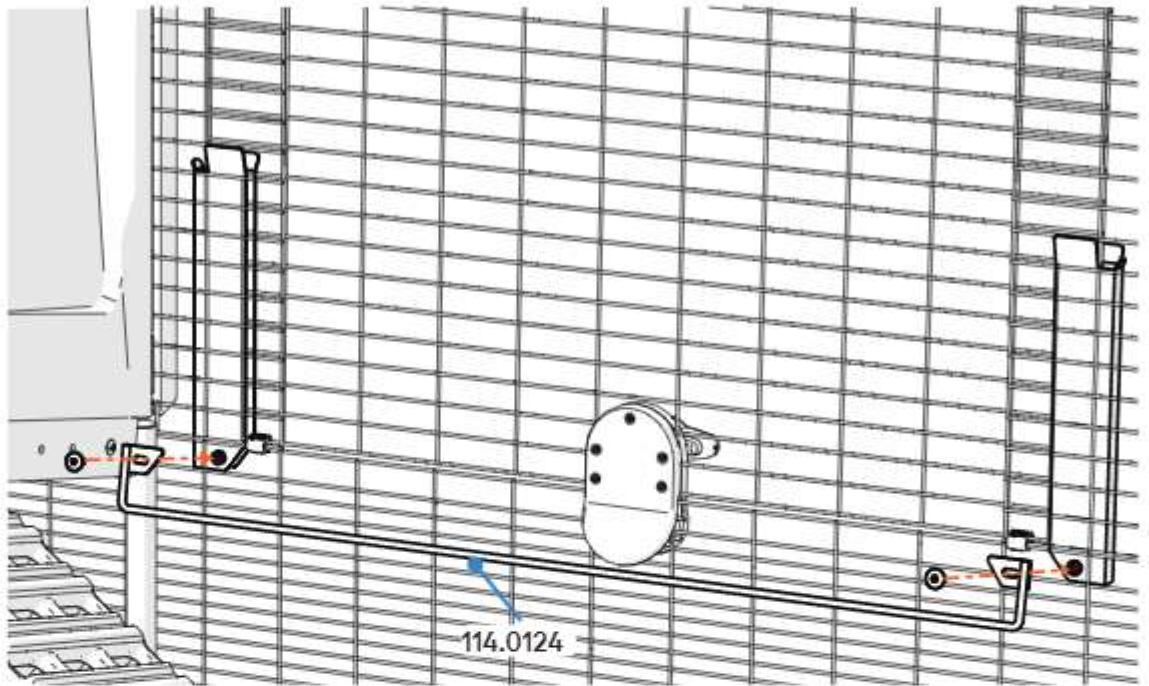
8



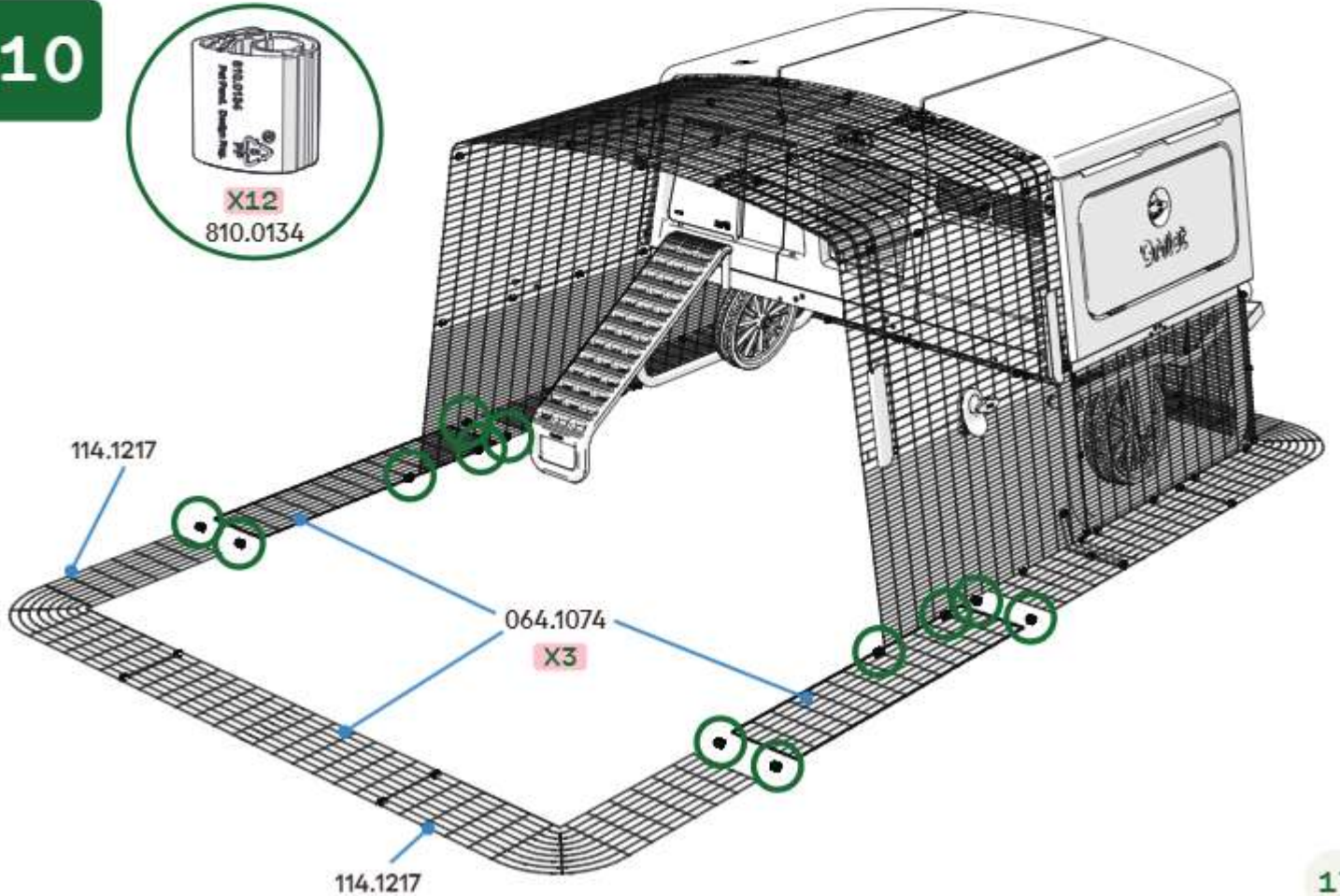


9

Assemble this part from inside your run.

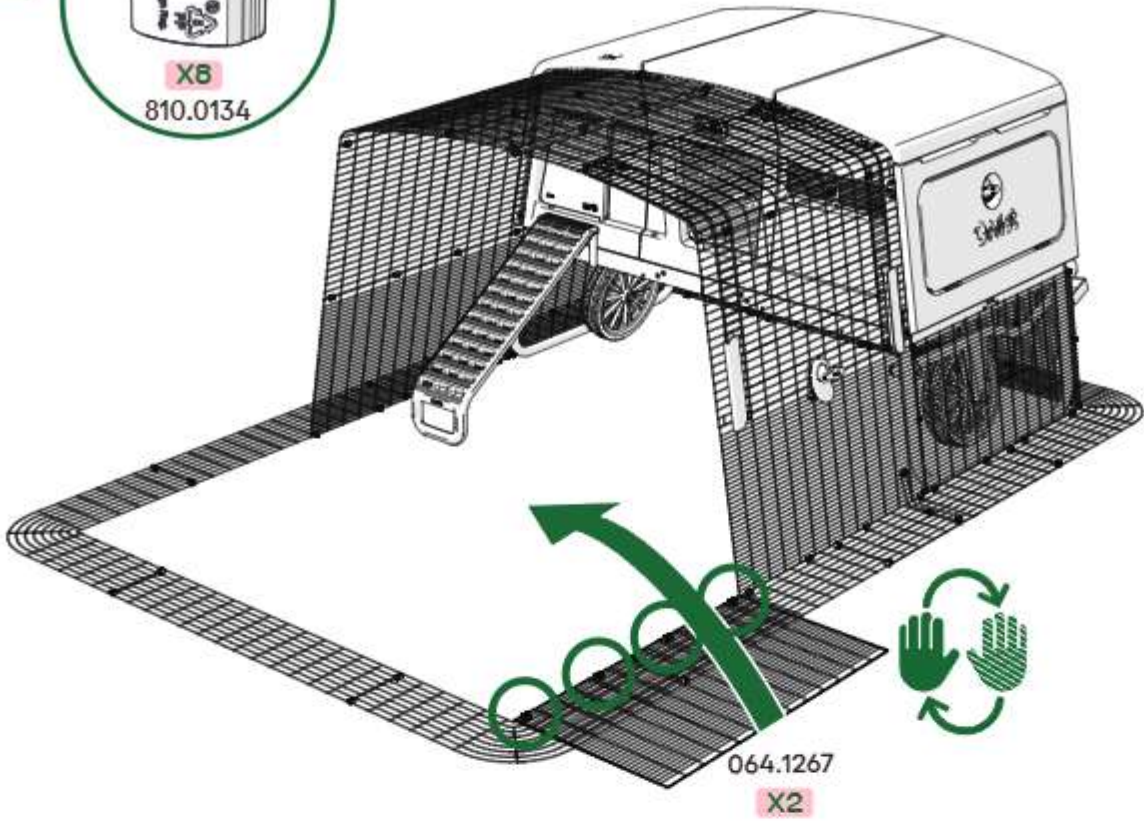


10

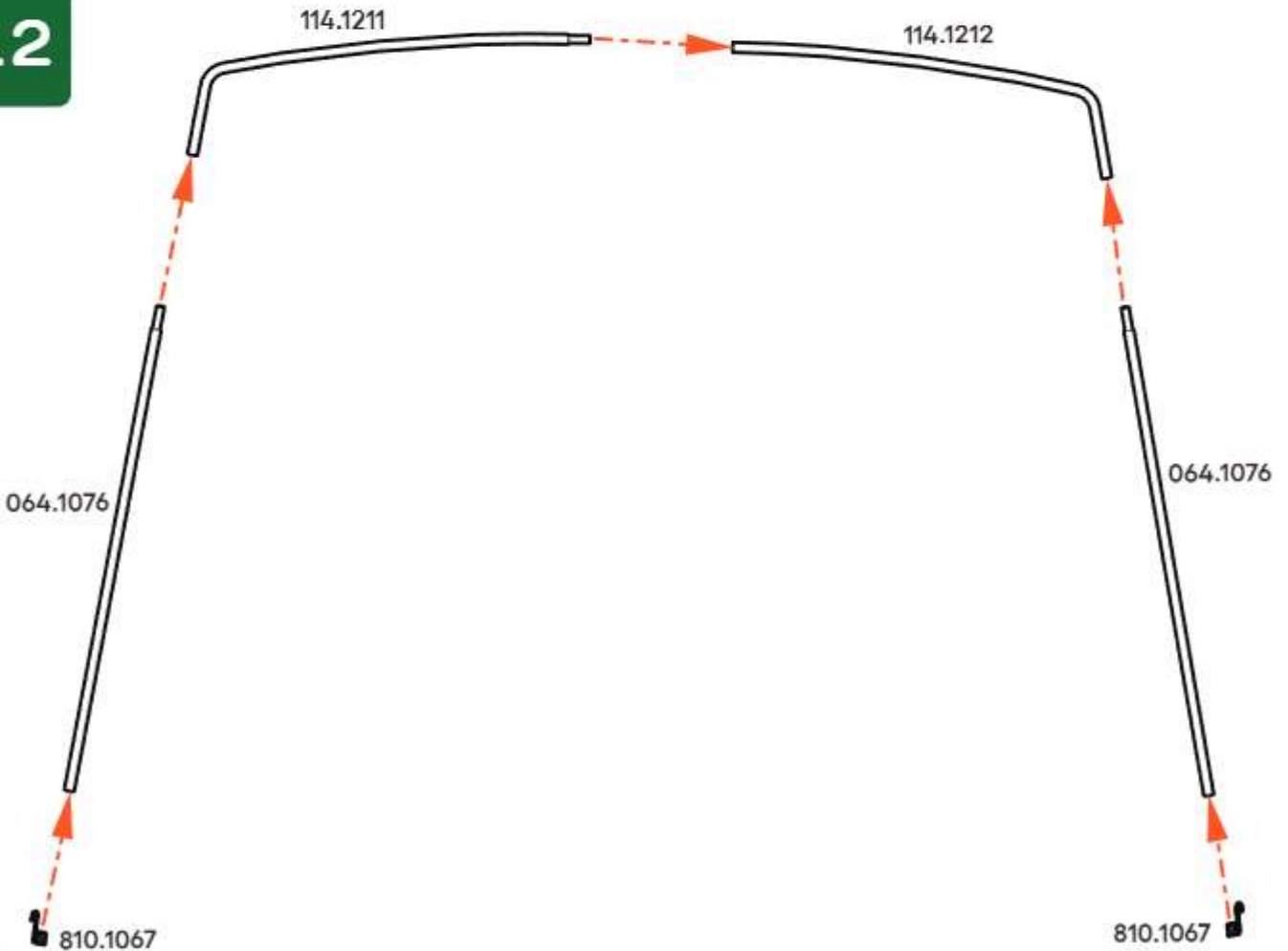




11

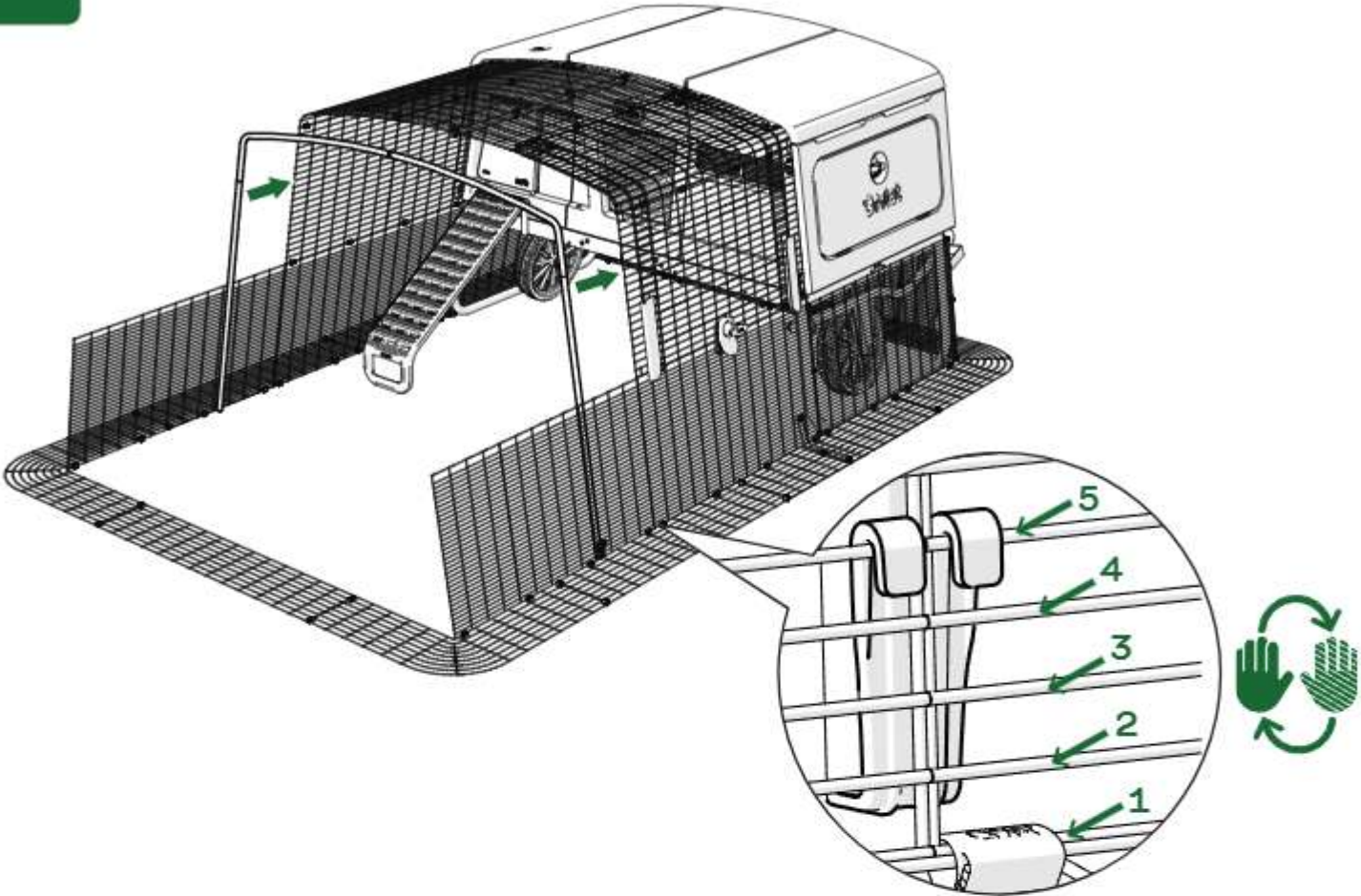


12

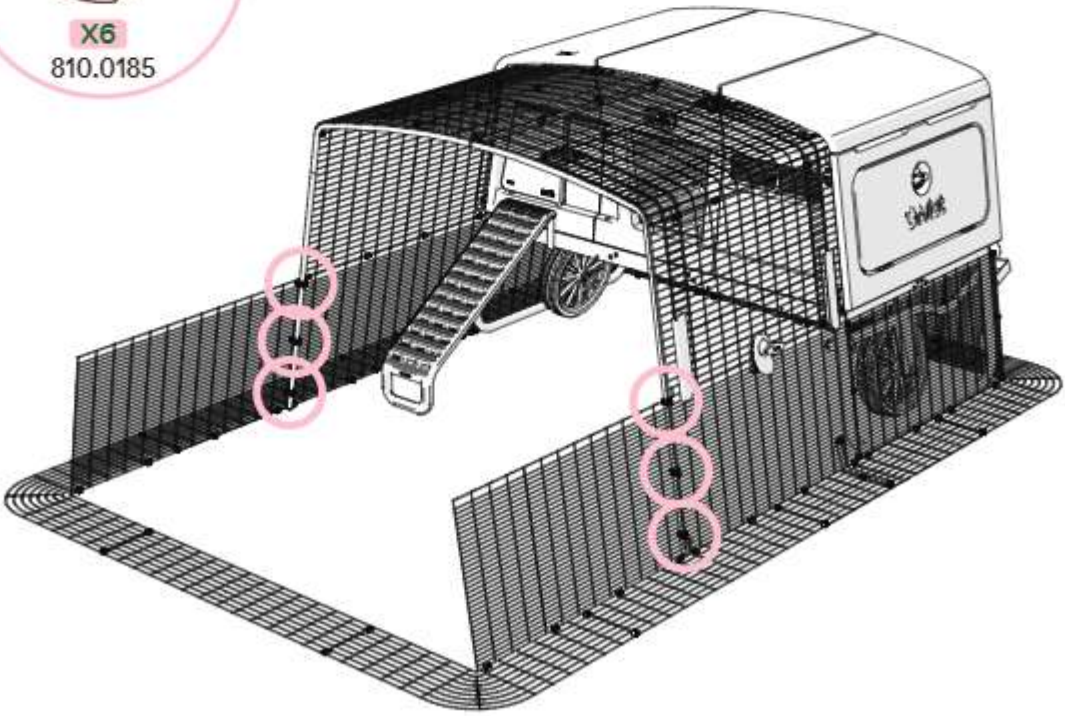


18

13

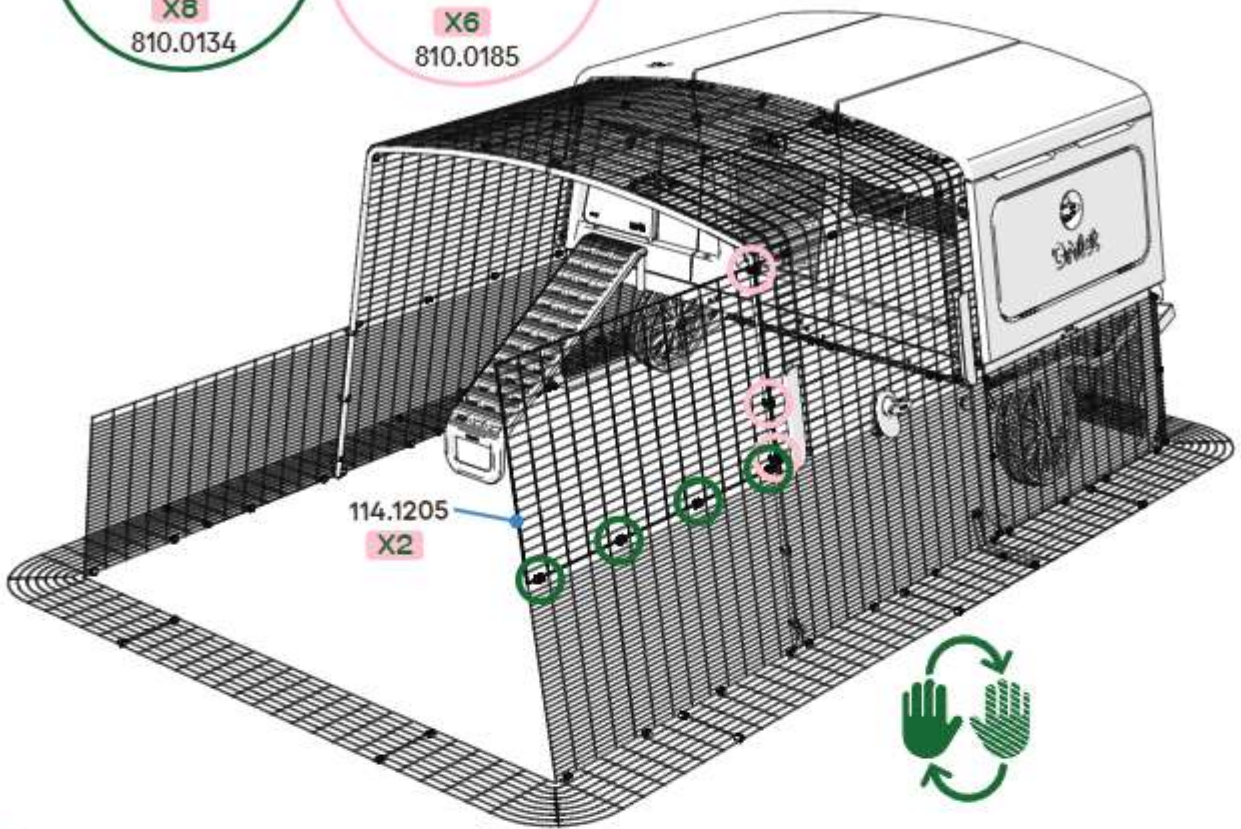


14

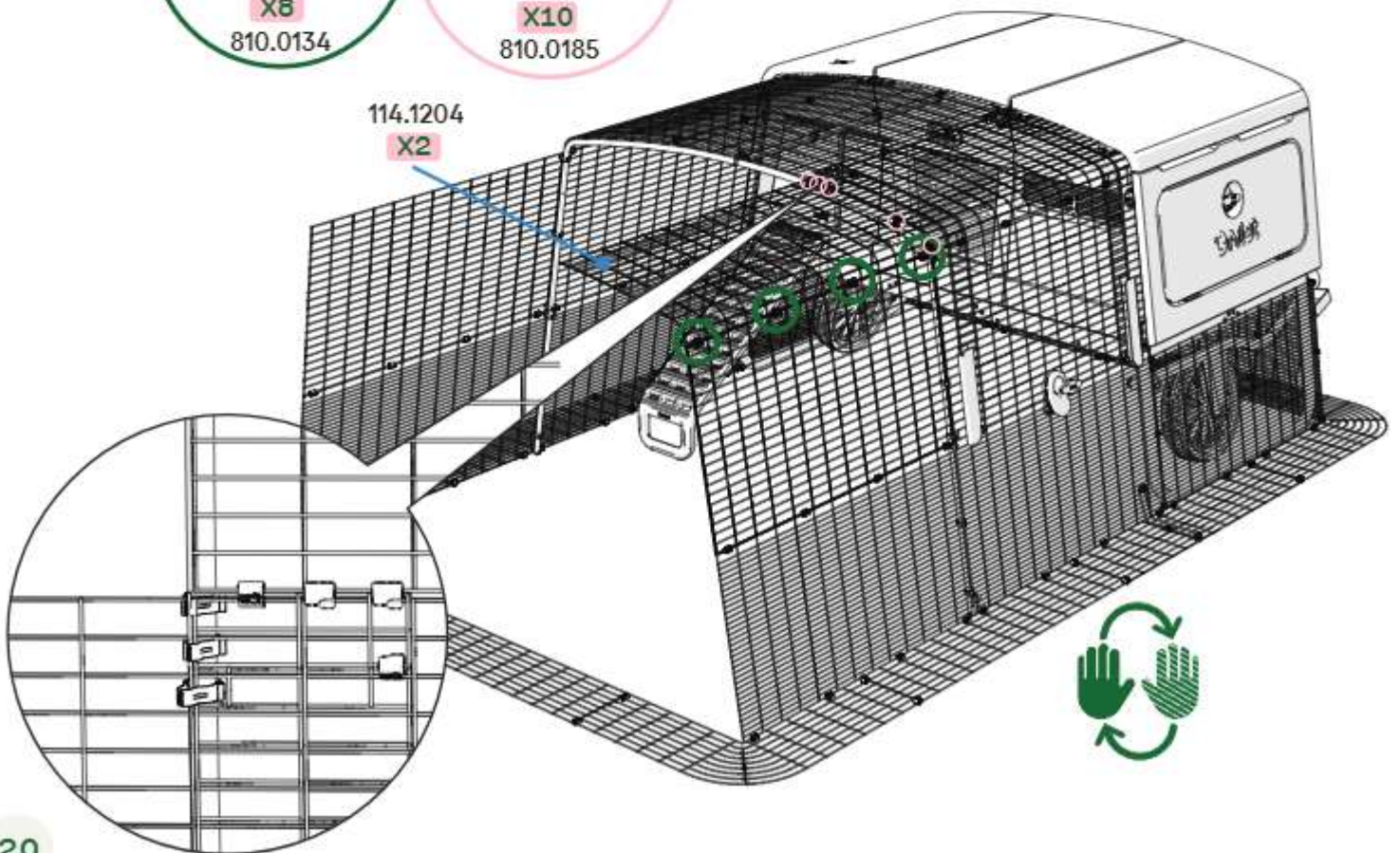




15

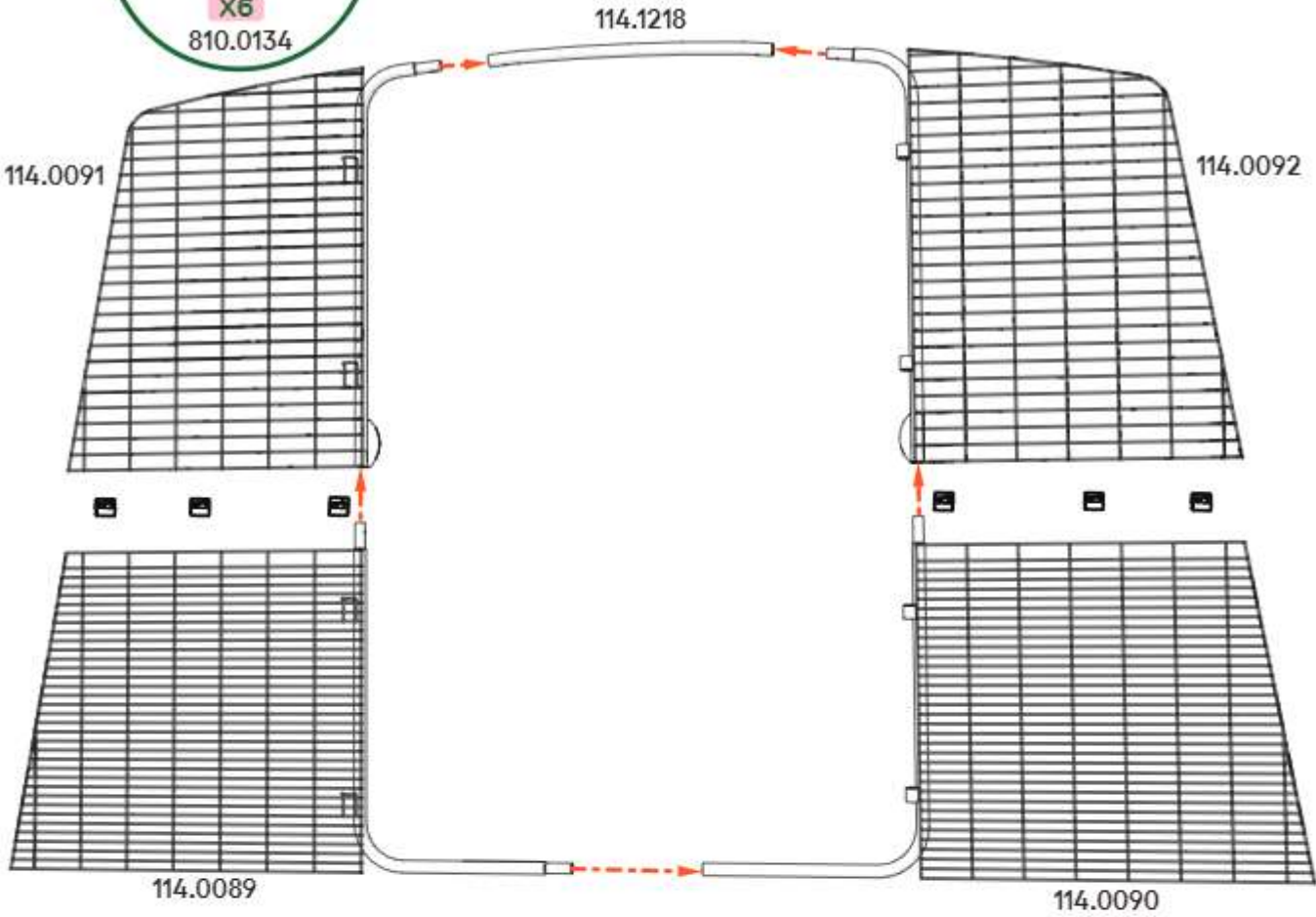


16

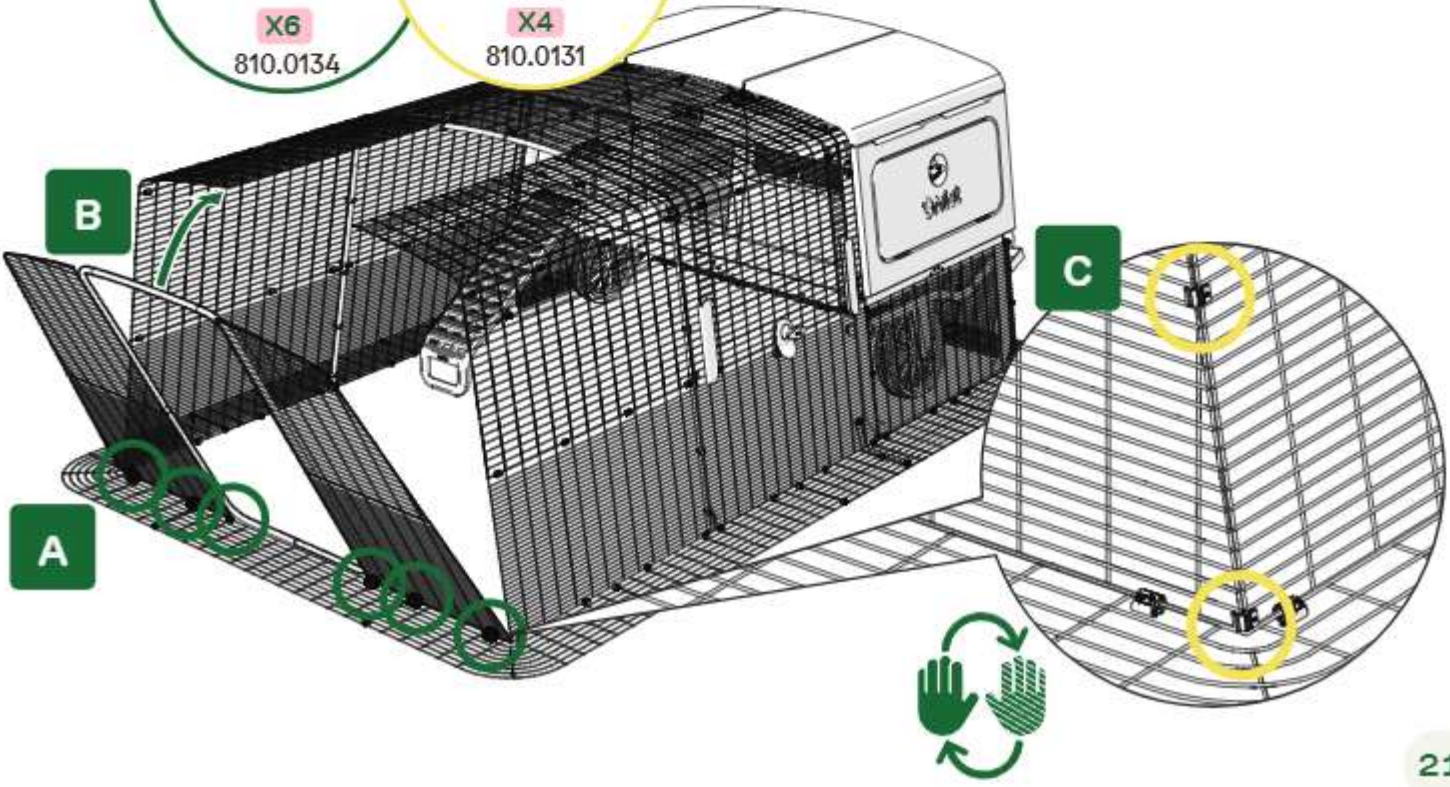




17

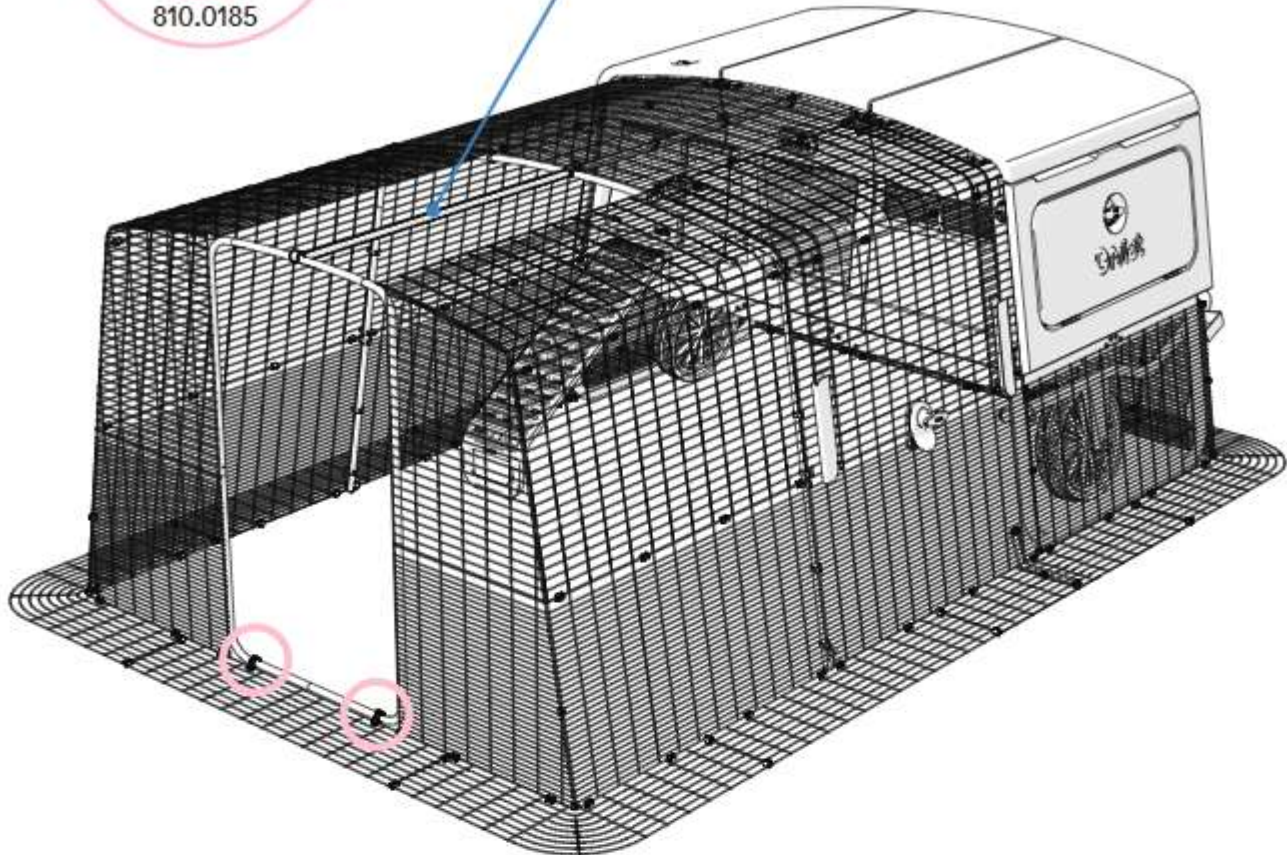
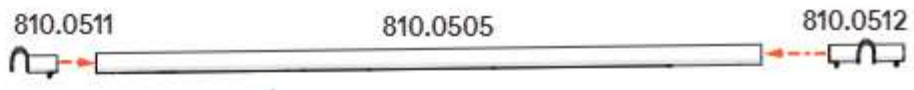


18

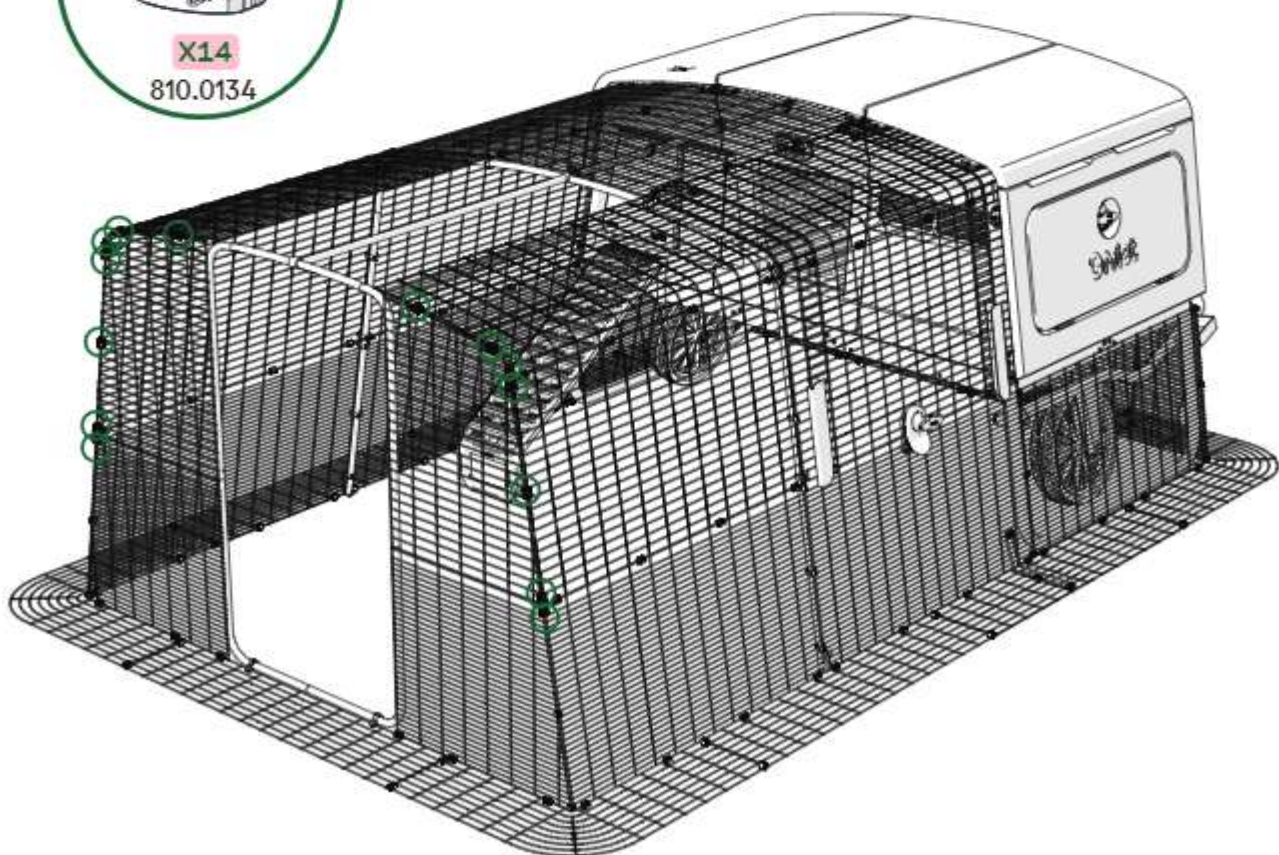




19



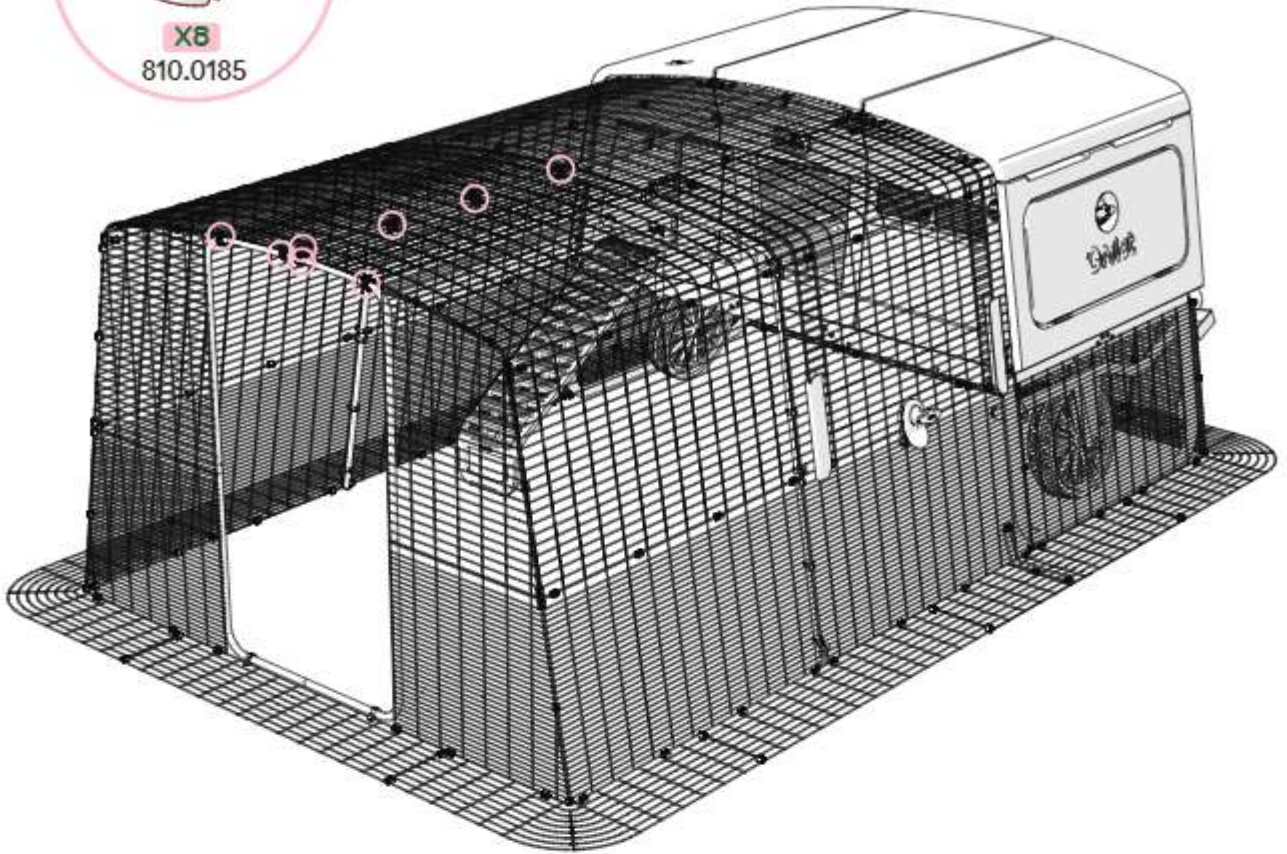
20



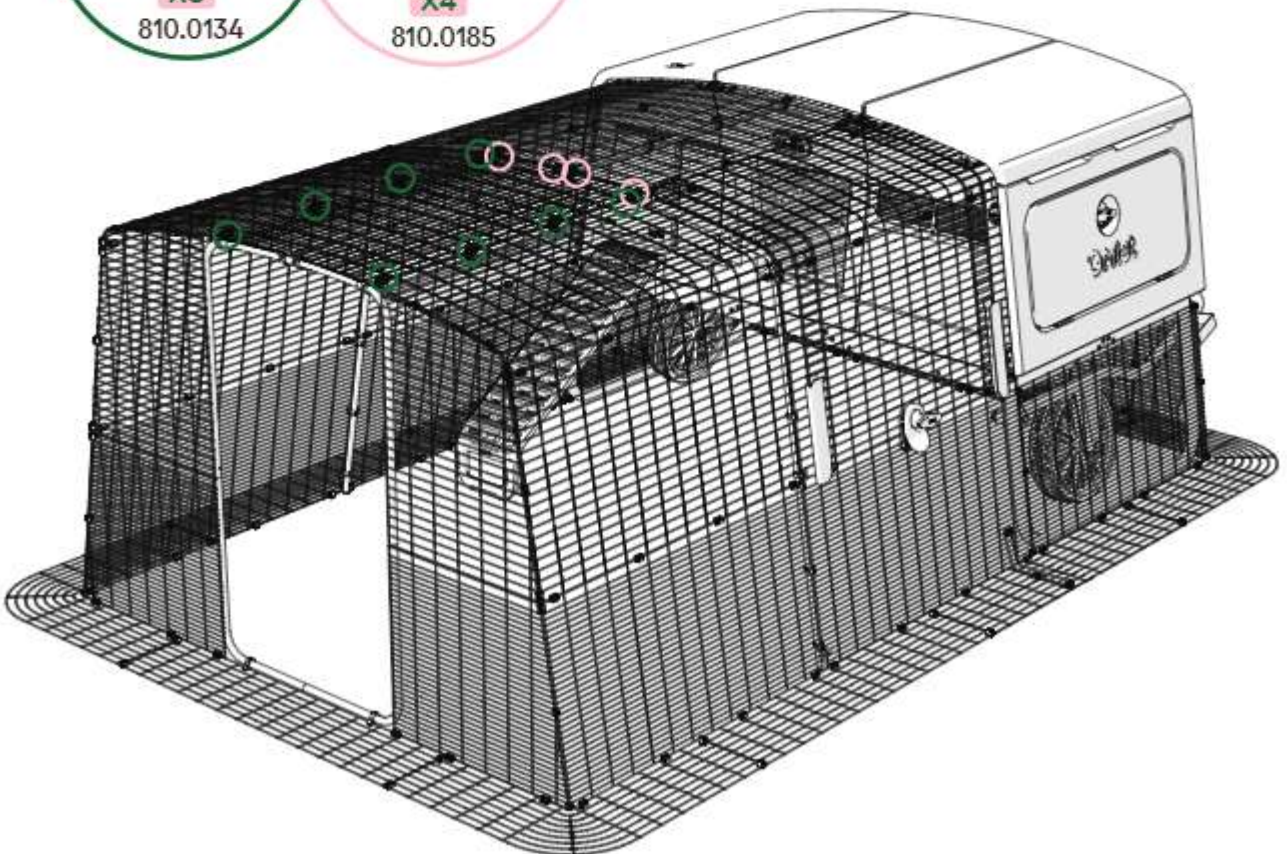
22



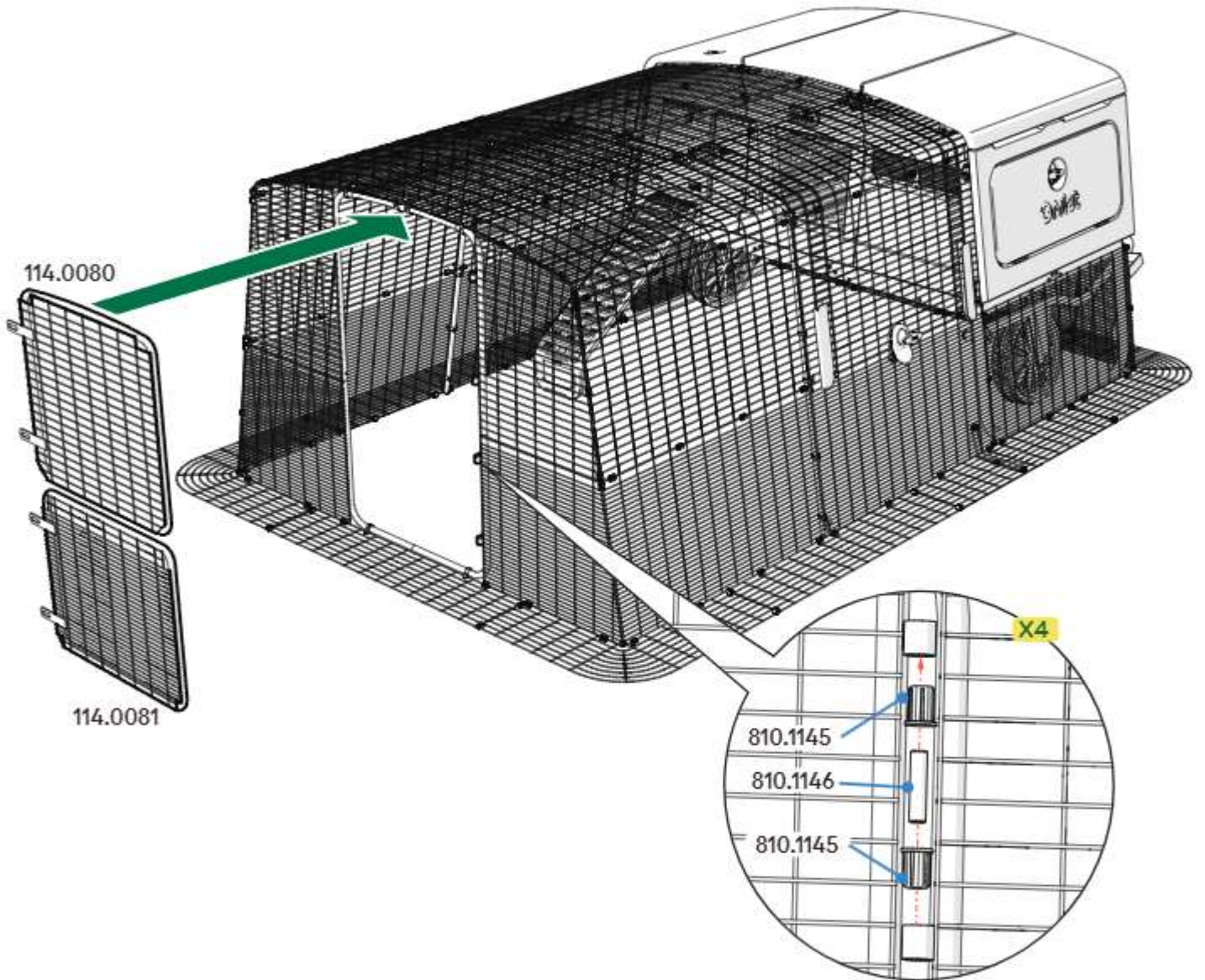
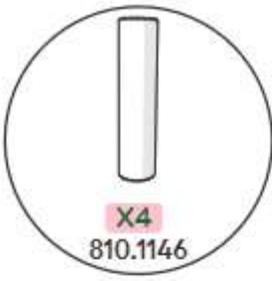
21

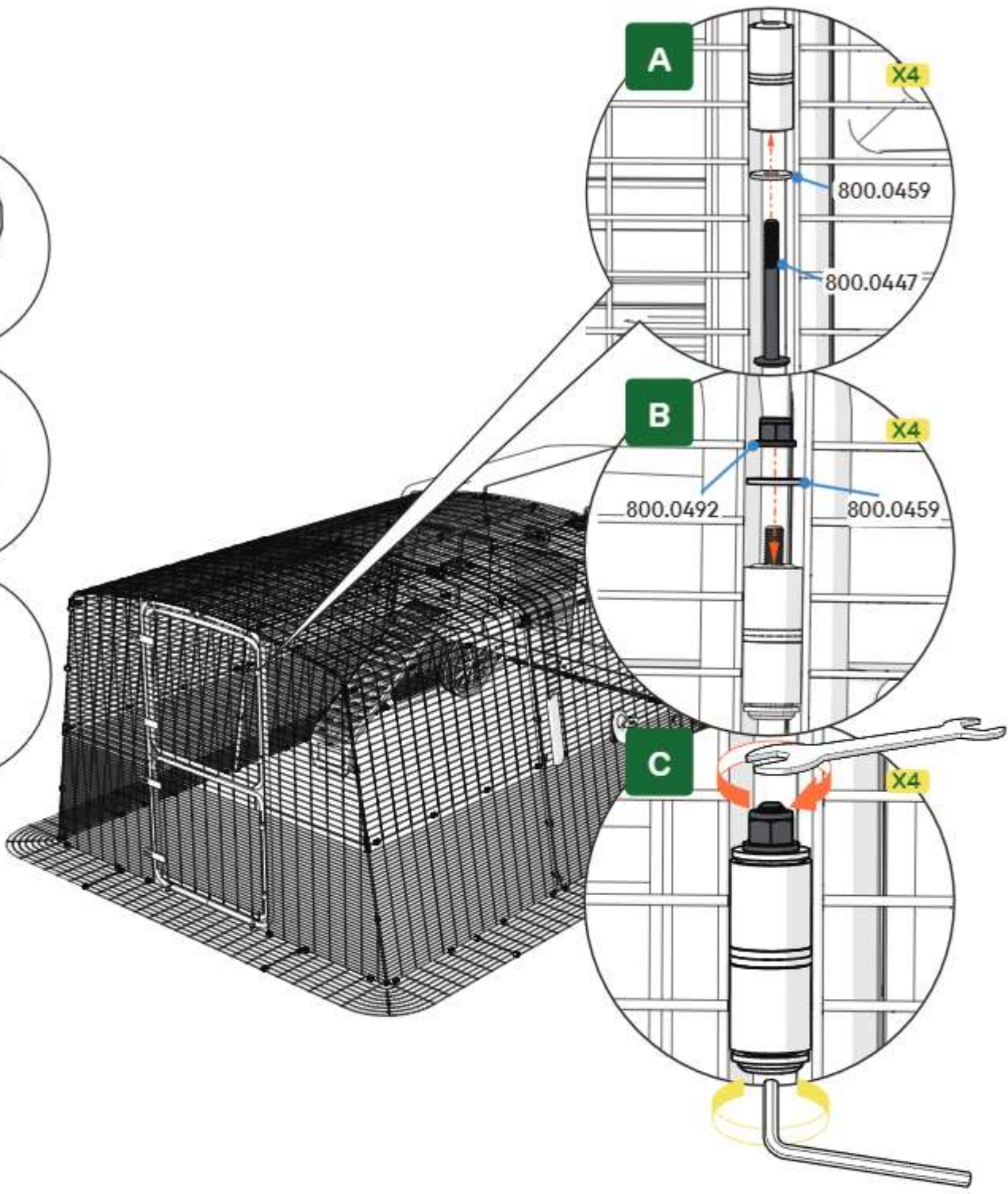
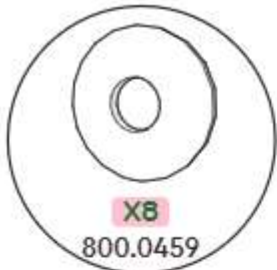


22



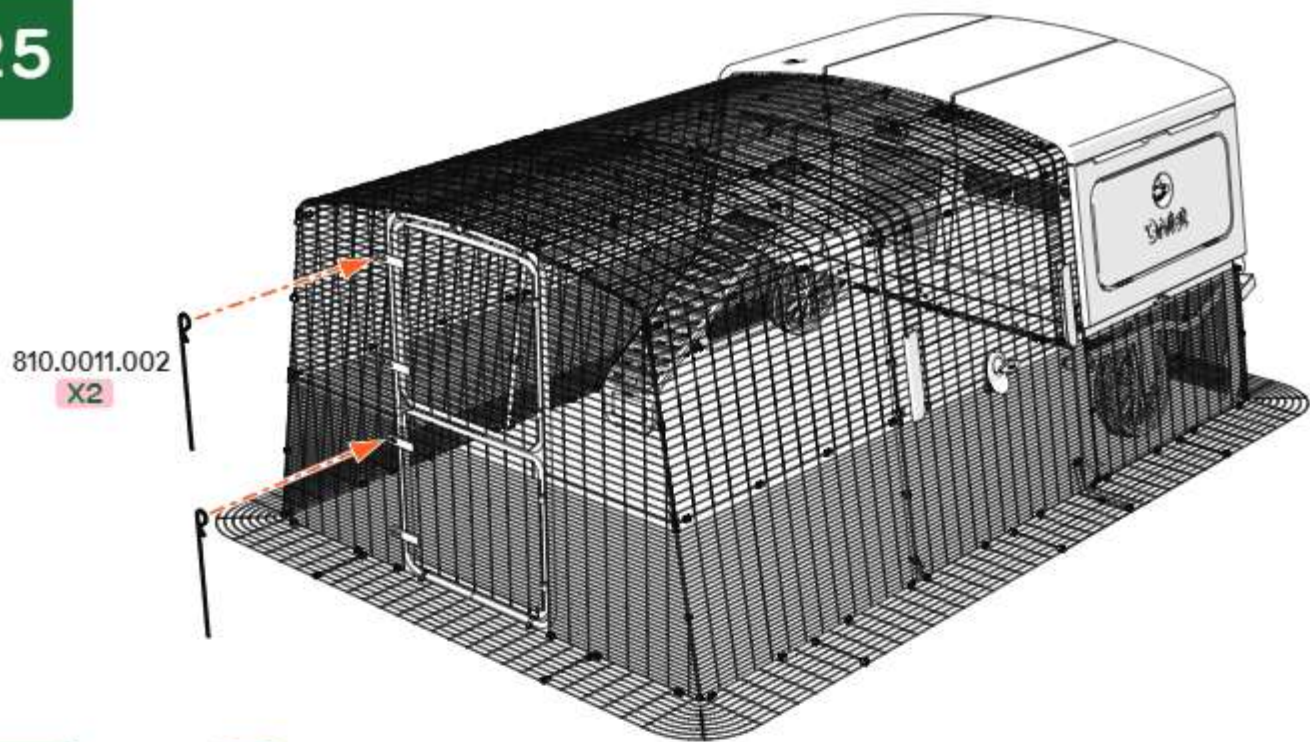




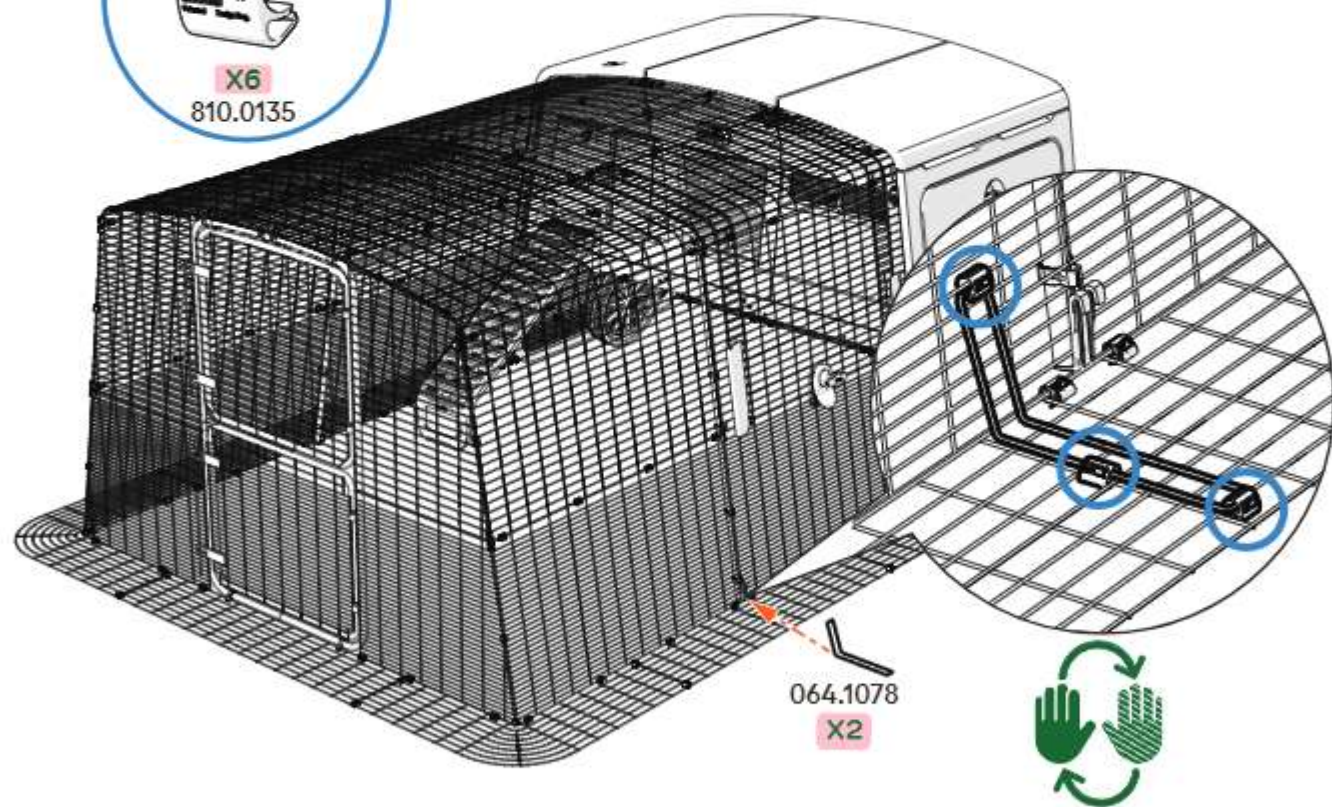




25

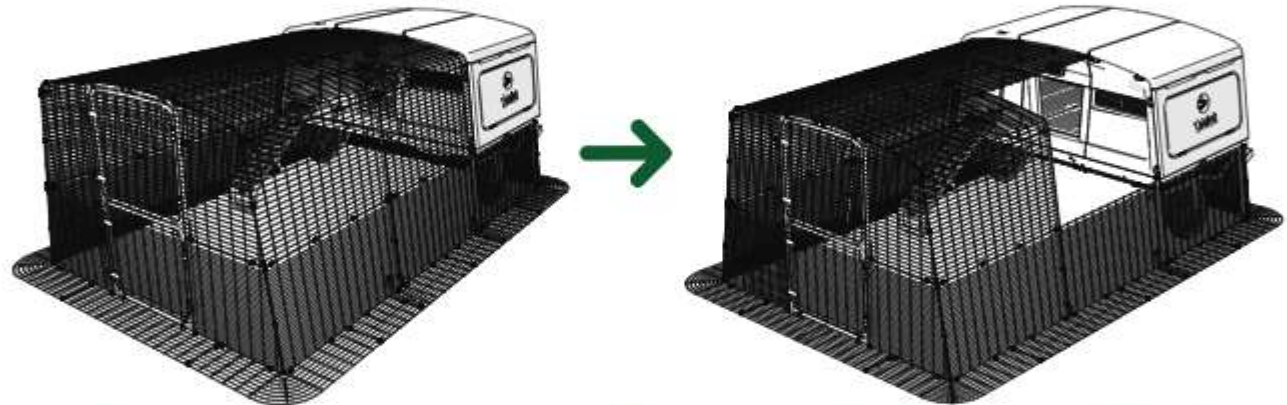
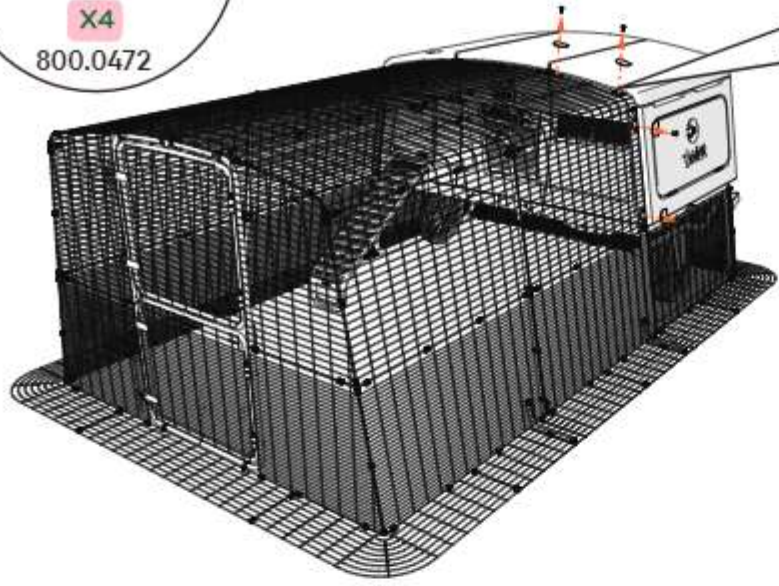
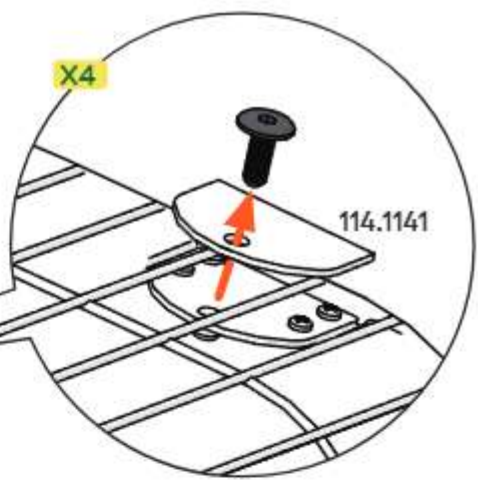


26

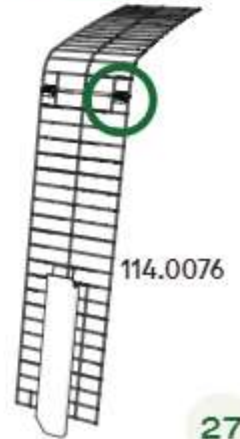


That's it! Your Easy Access Run Door is complete!

1

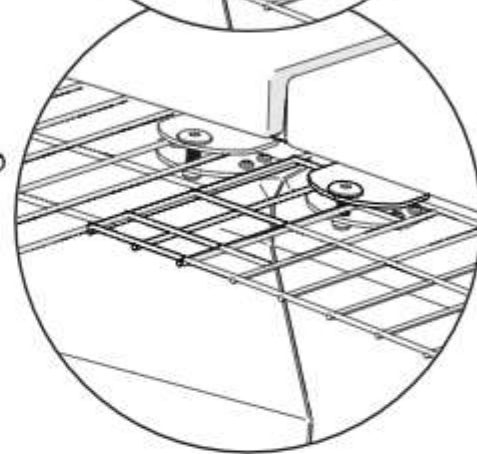
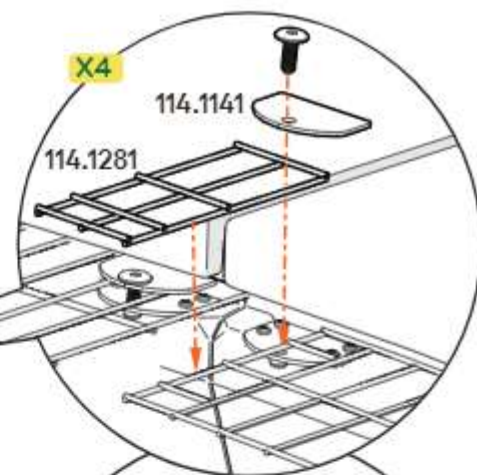
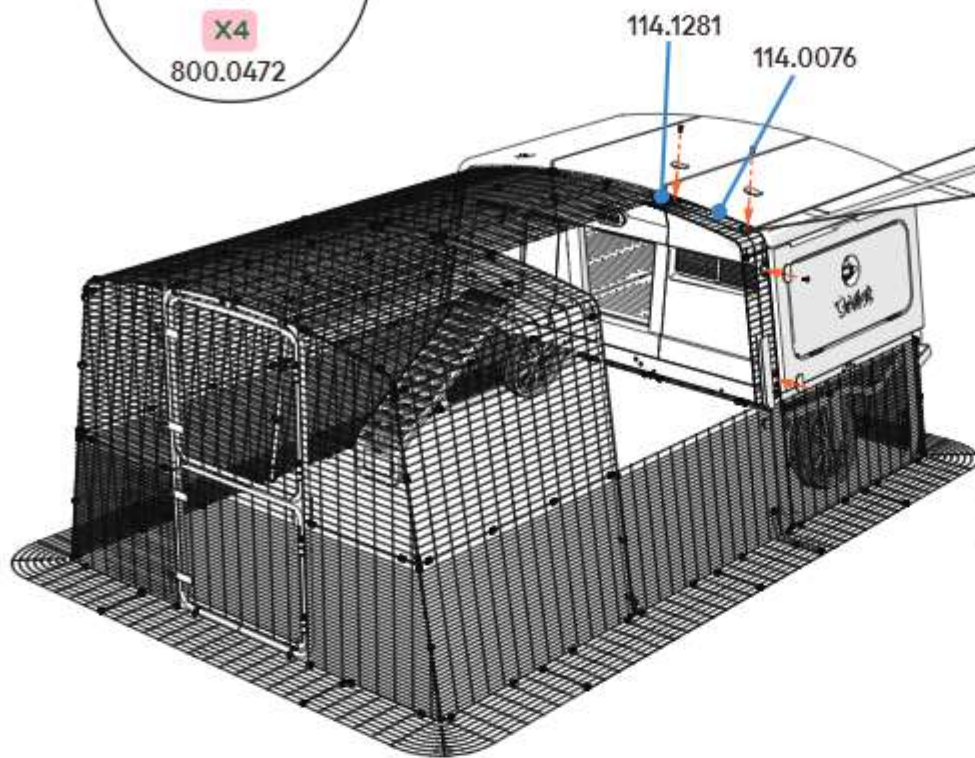
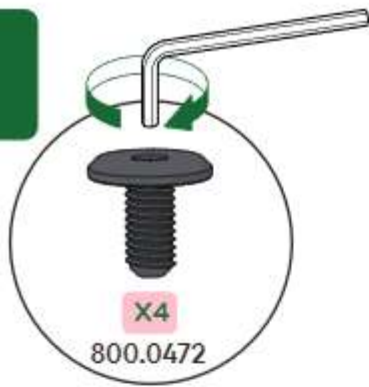


If assembling in position as shown here, first remove this clip from the **Mesh Panel Right Side (114.0076)**. If assembling on the opposite side of the run, first remove the opposite clip from the **Mesh Panel Left Side (114.0077)** instead.

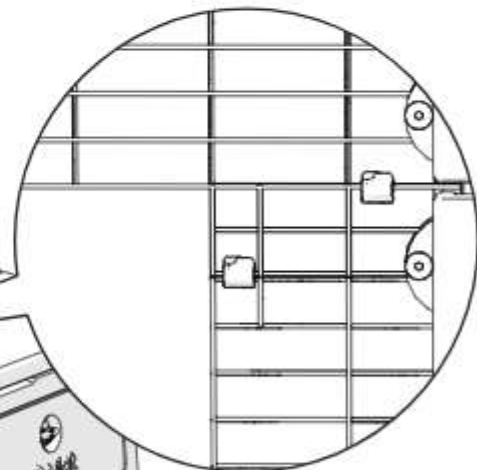
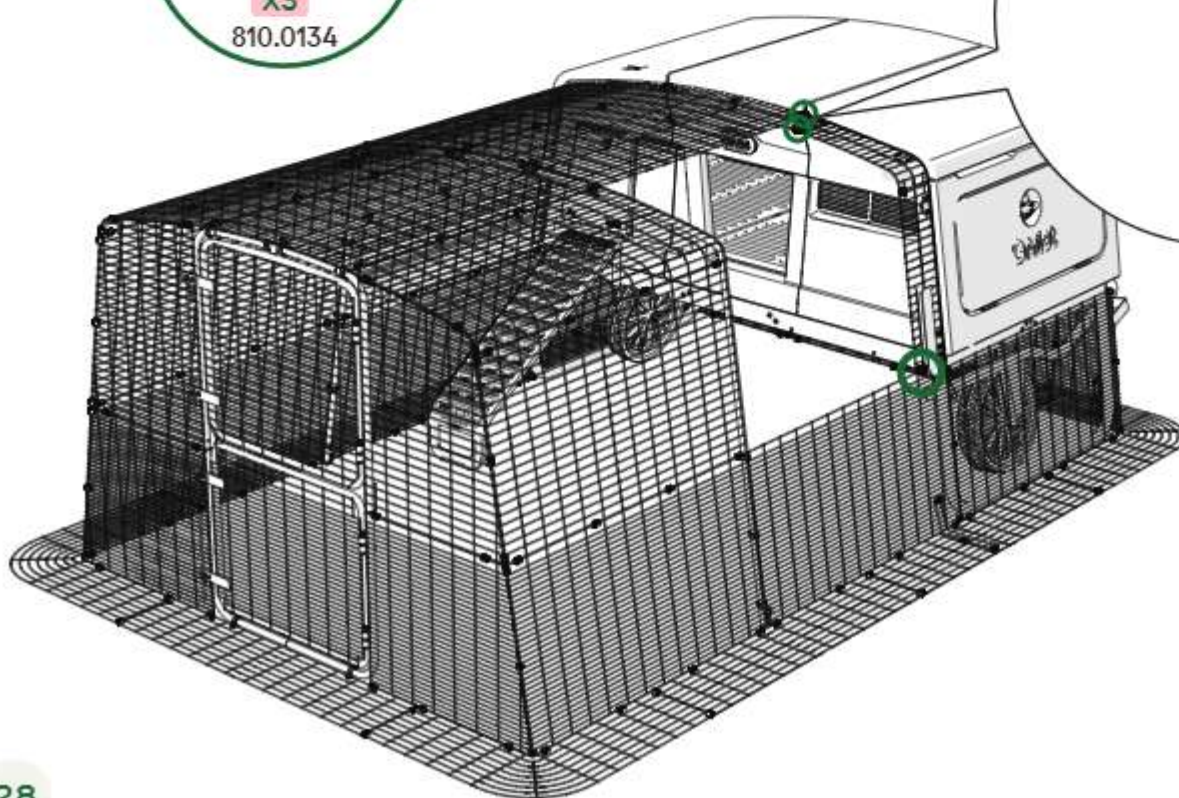




2

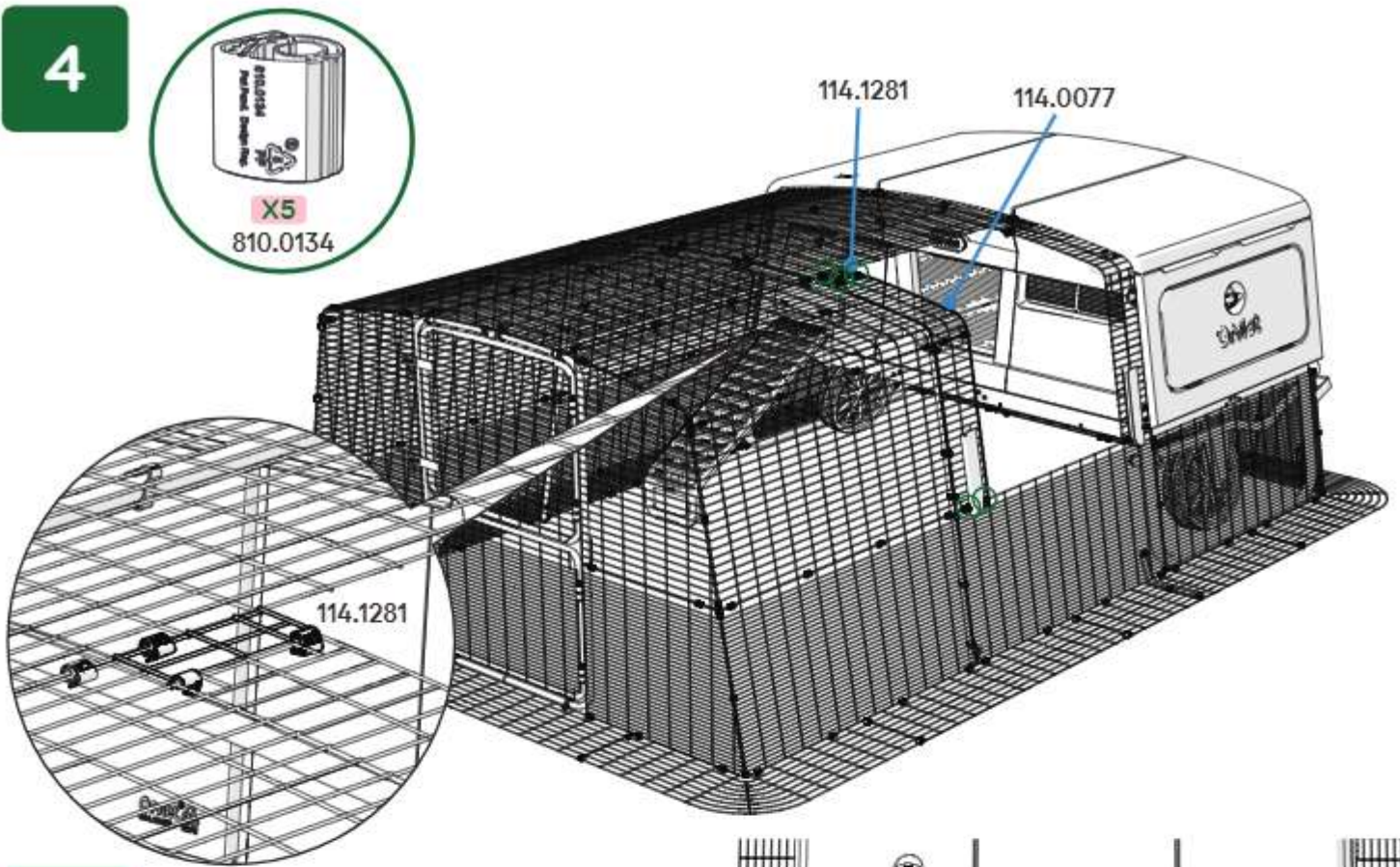


3

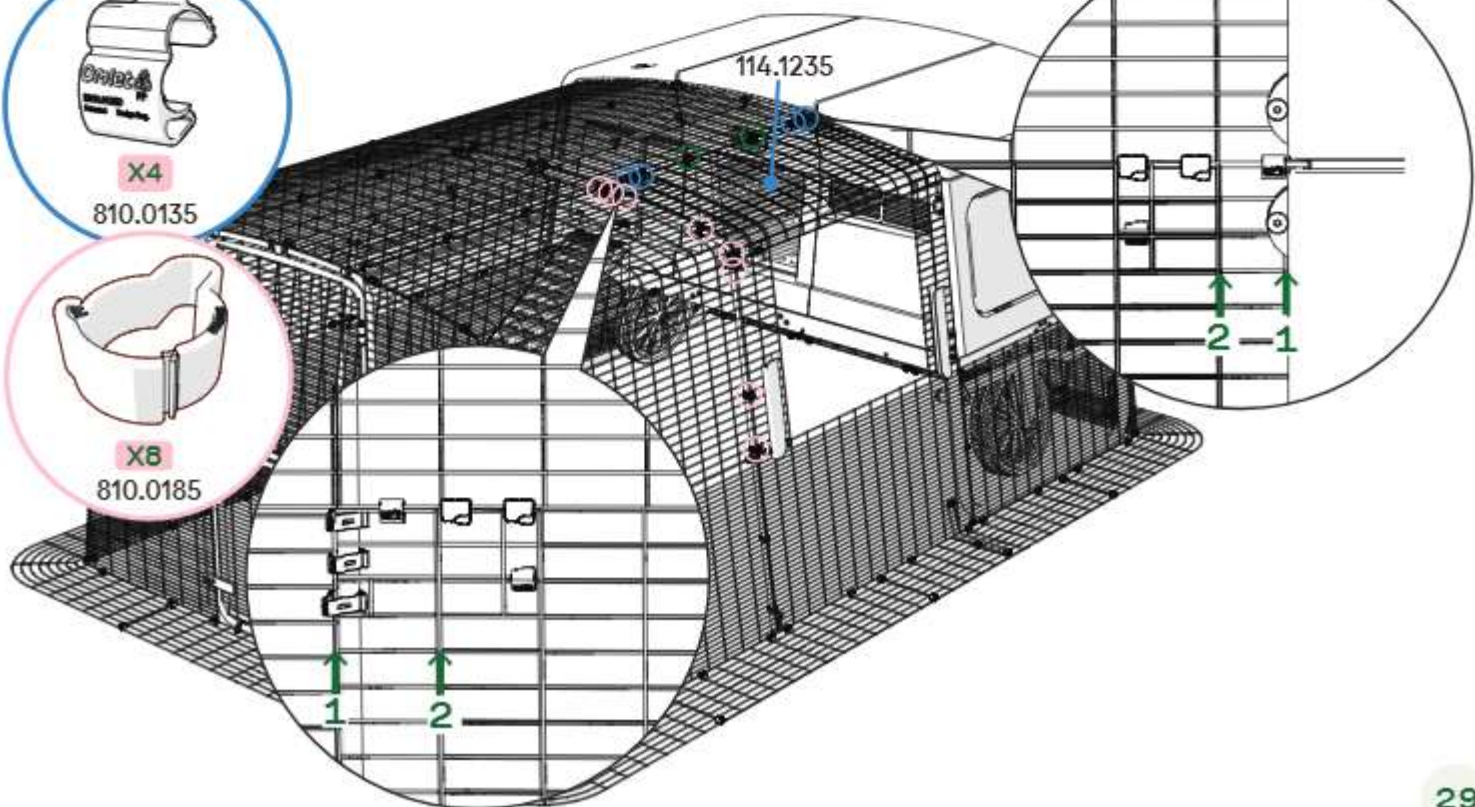
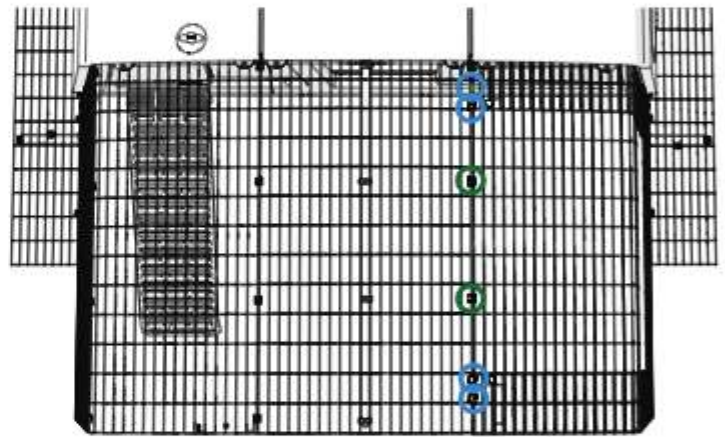




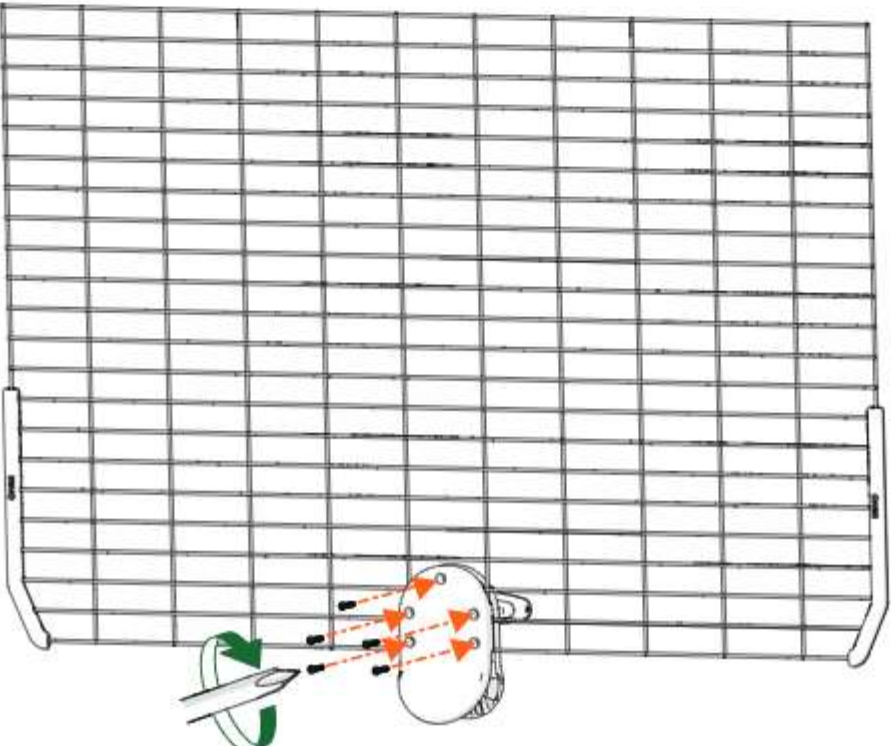
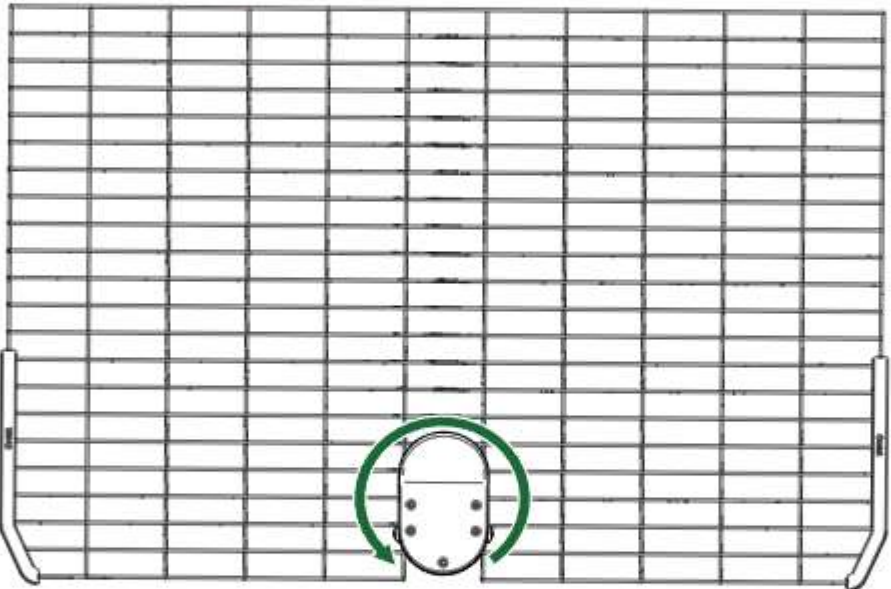
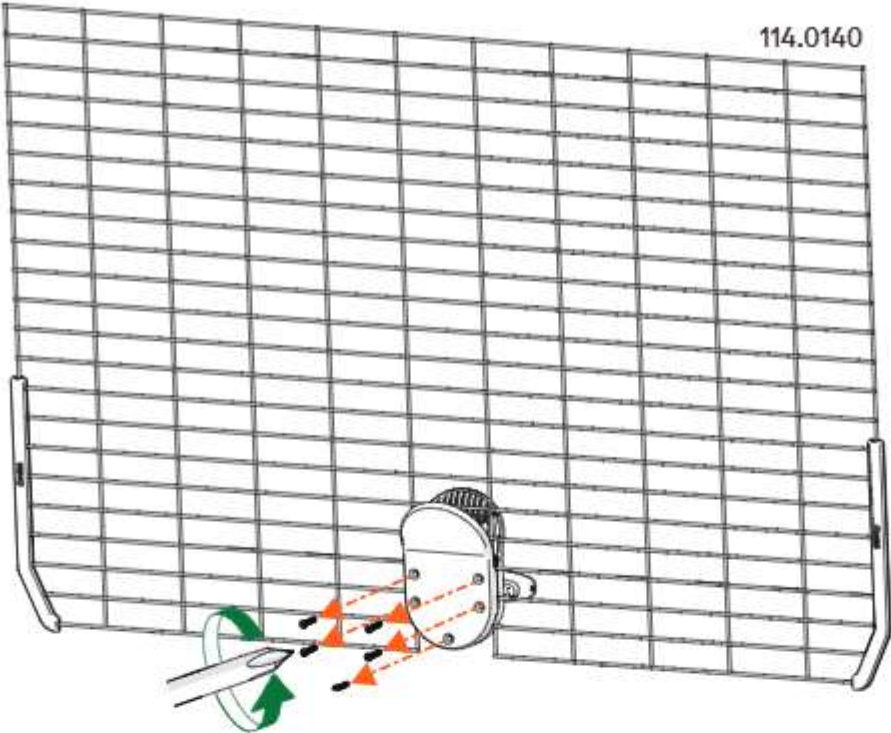
4



5

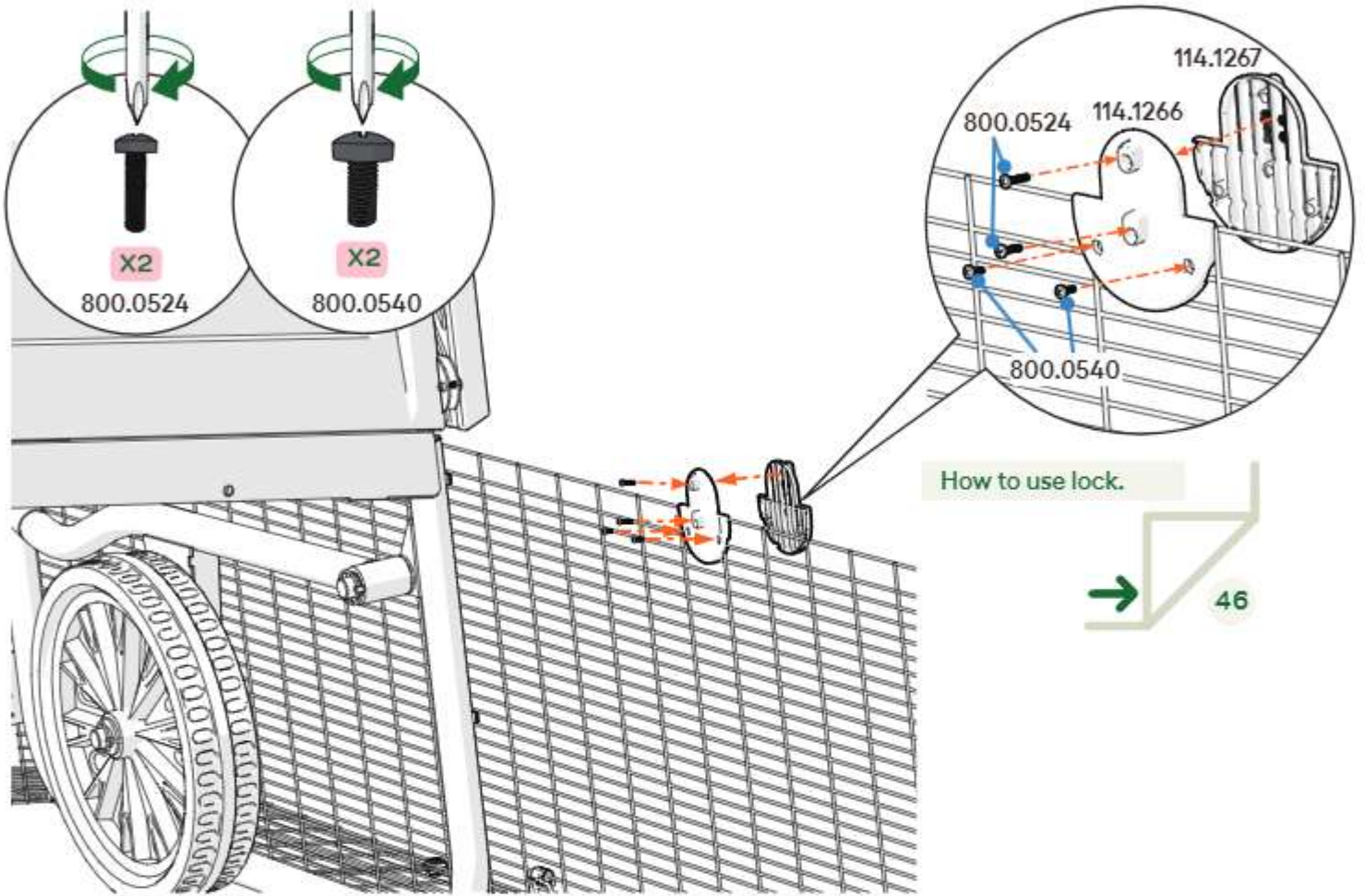




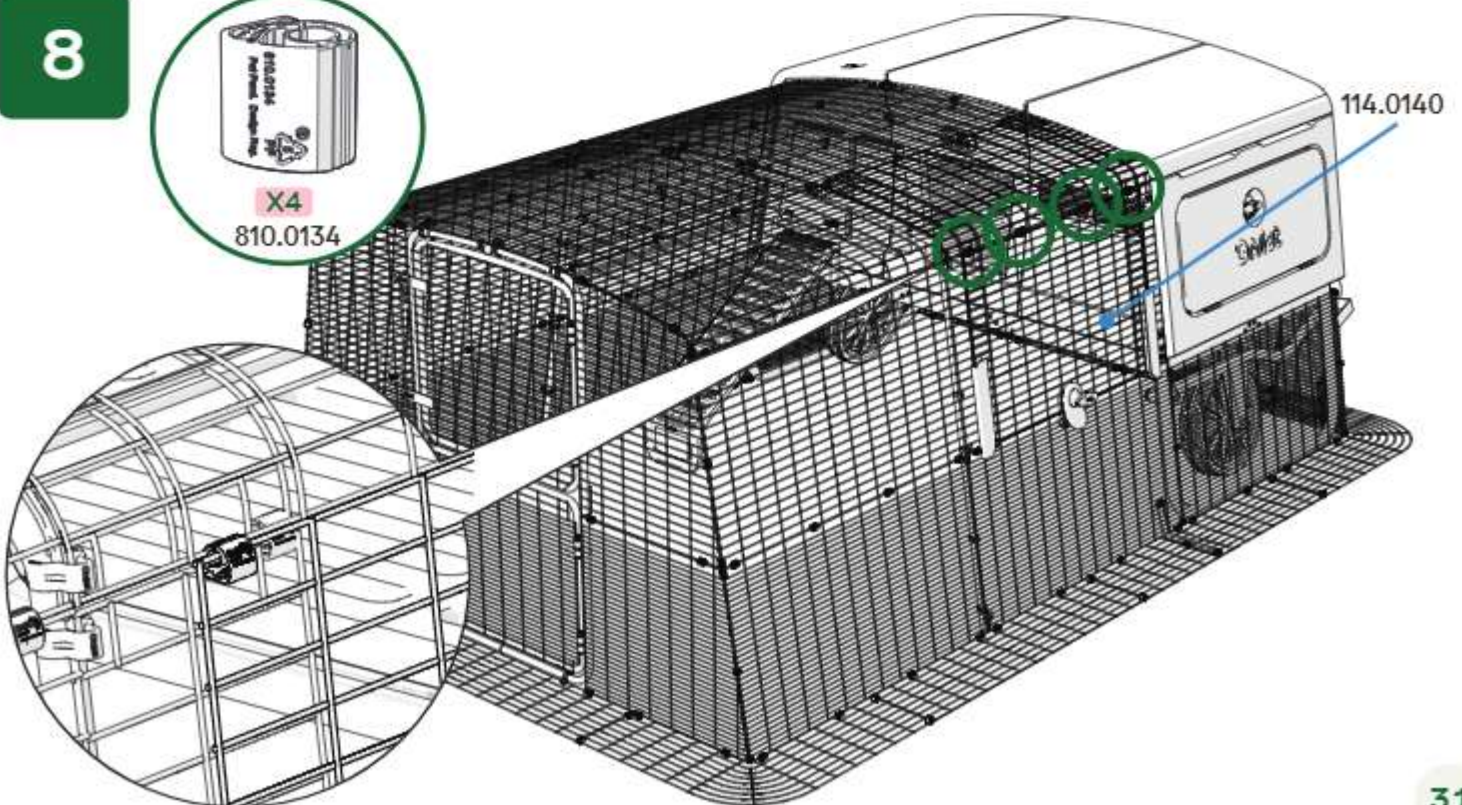


7

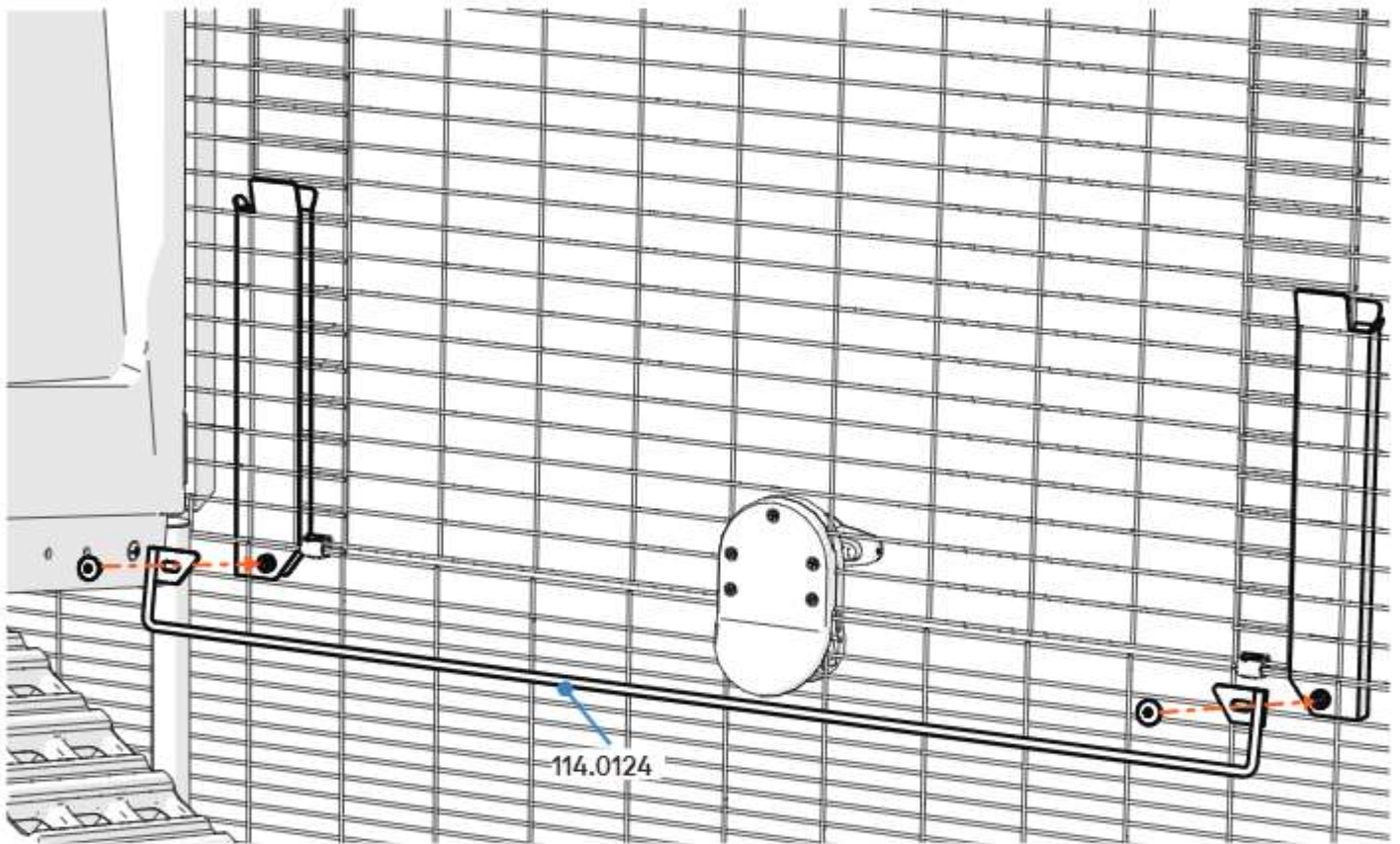
Assemble this part from inside your run.



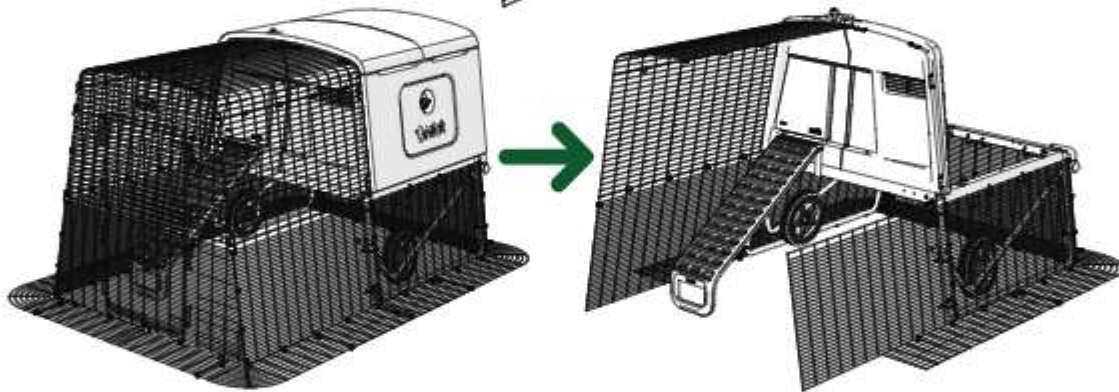
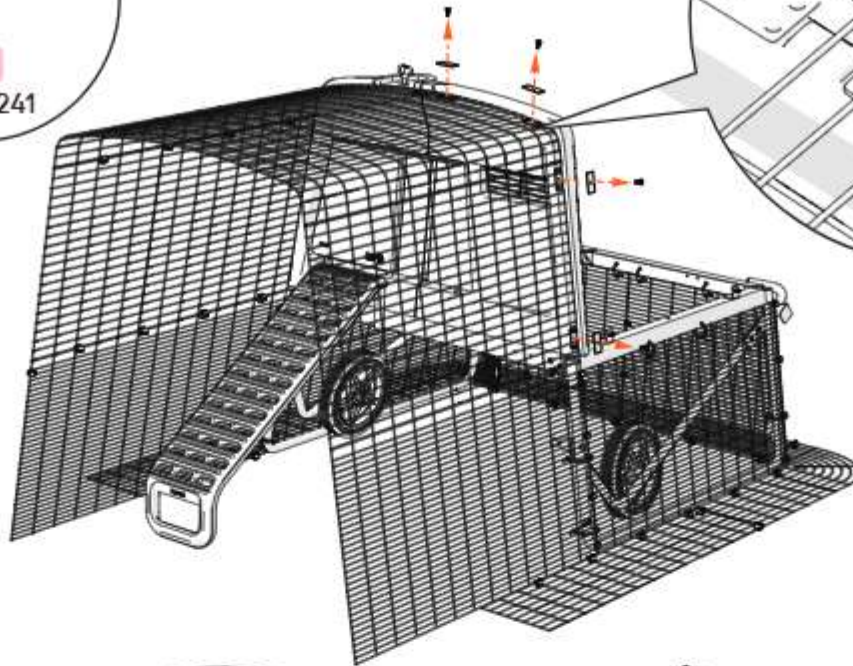
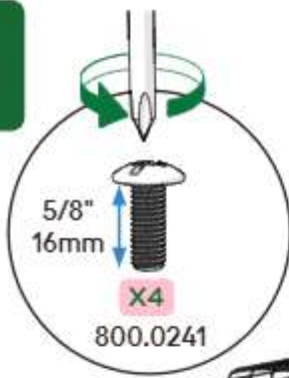
8



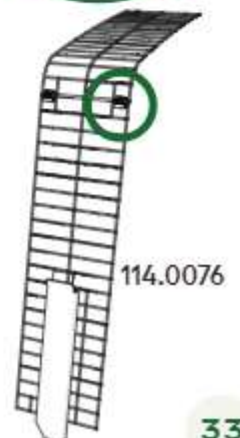




**That's it! Your Easy Access Run Door is complete!**

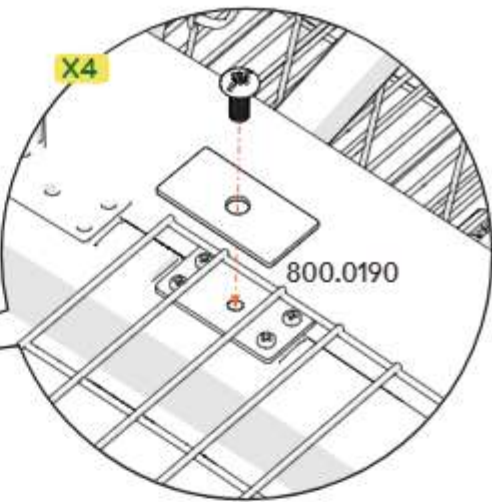
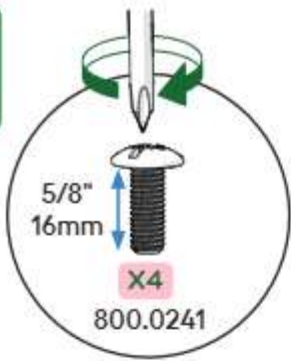
**1**

If assembling in position as shown here, first remove this clip from the **Mesh Panel Right Side (114.0076)**. If assembling on the opposite side of the run, first remove the opposite clip from the **Mesh Panel Left Side (114.0077)** instead.

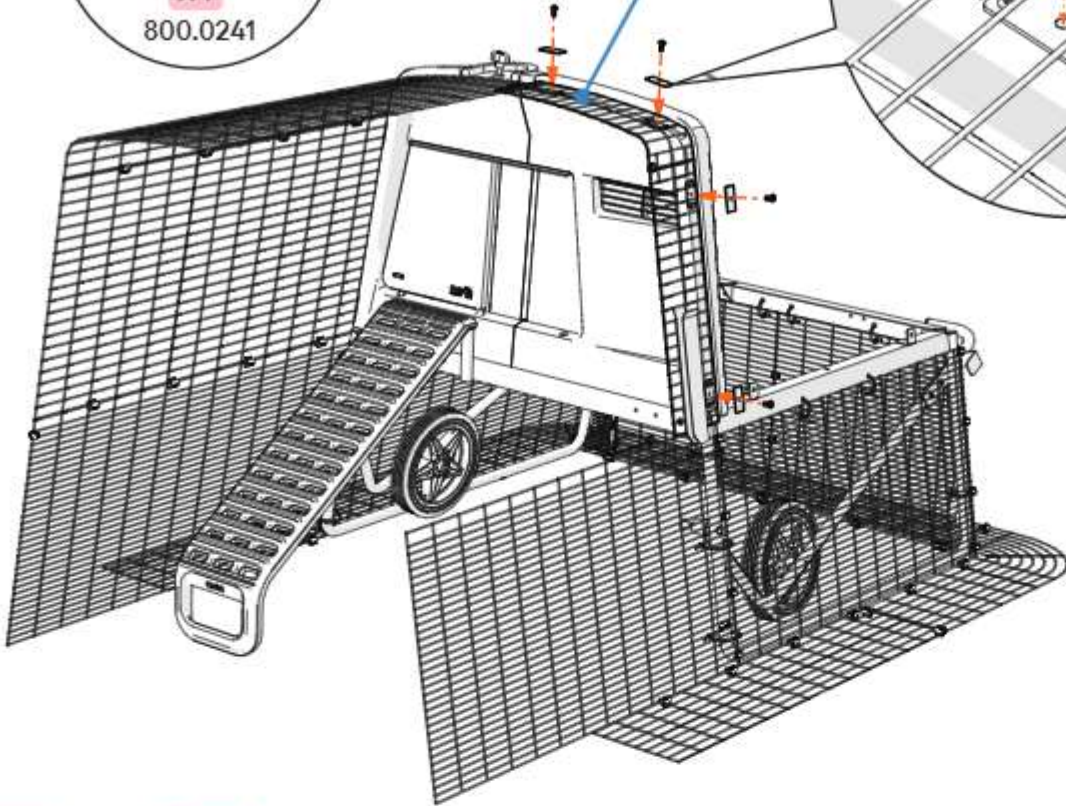




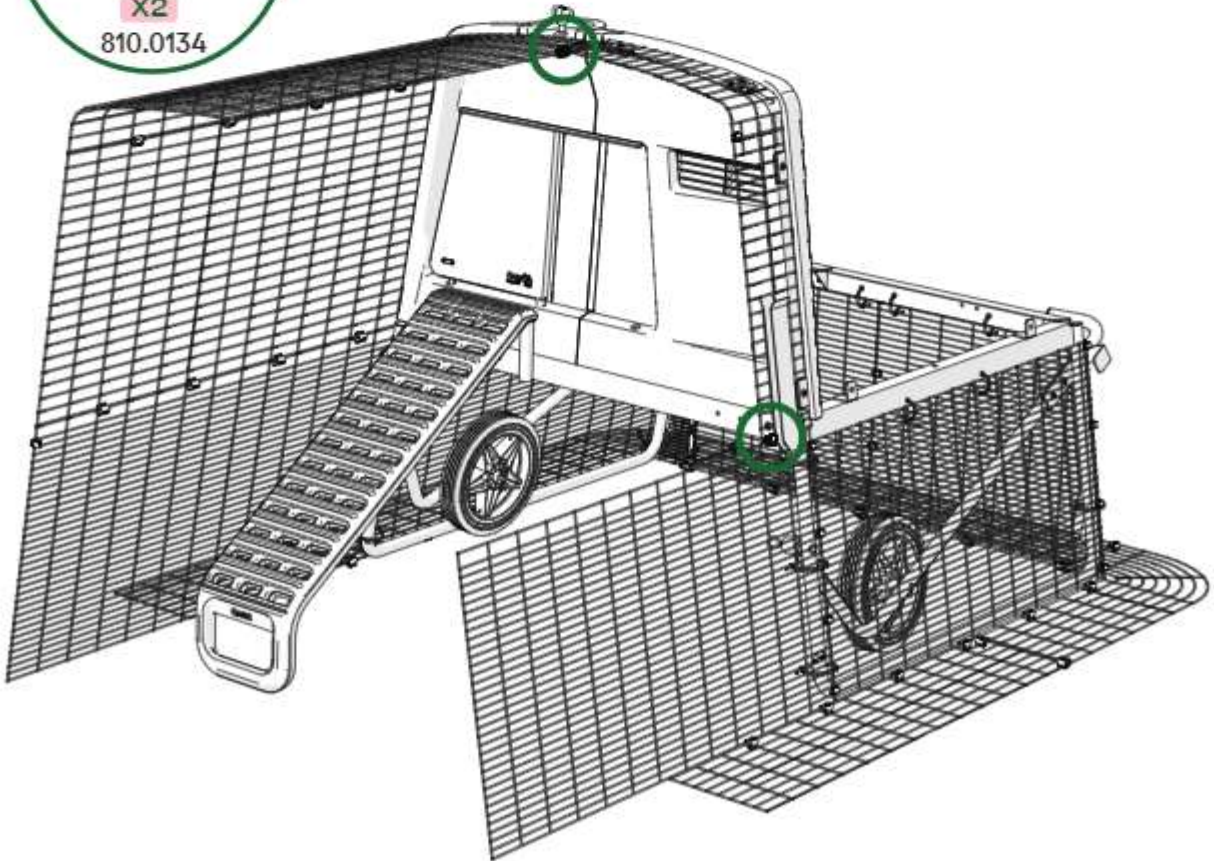
2



114.0076



3

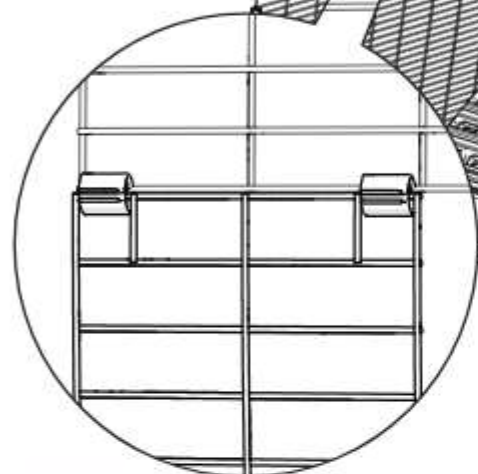
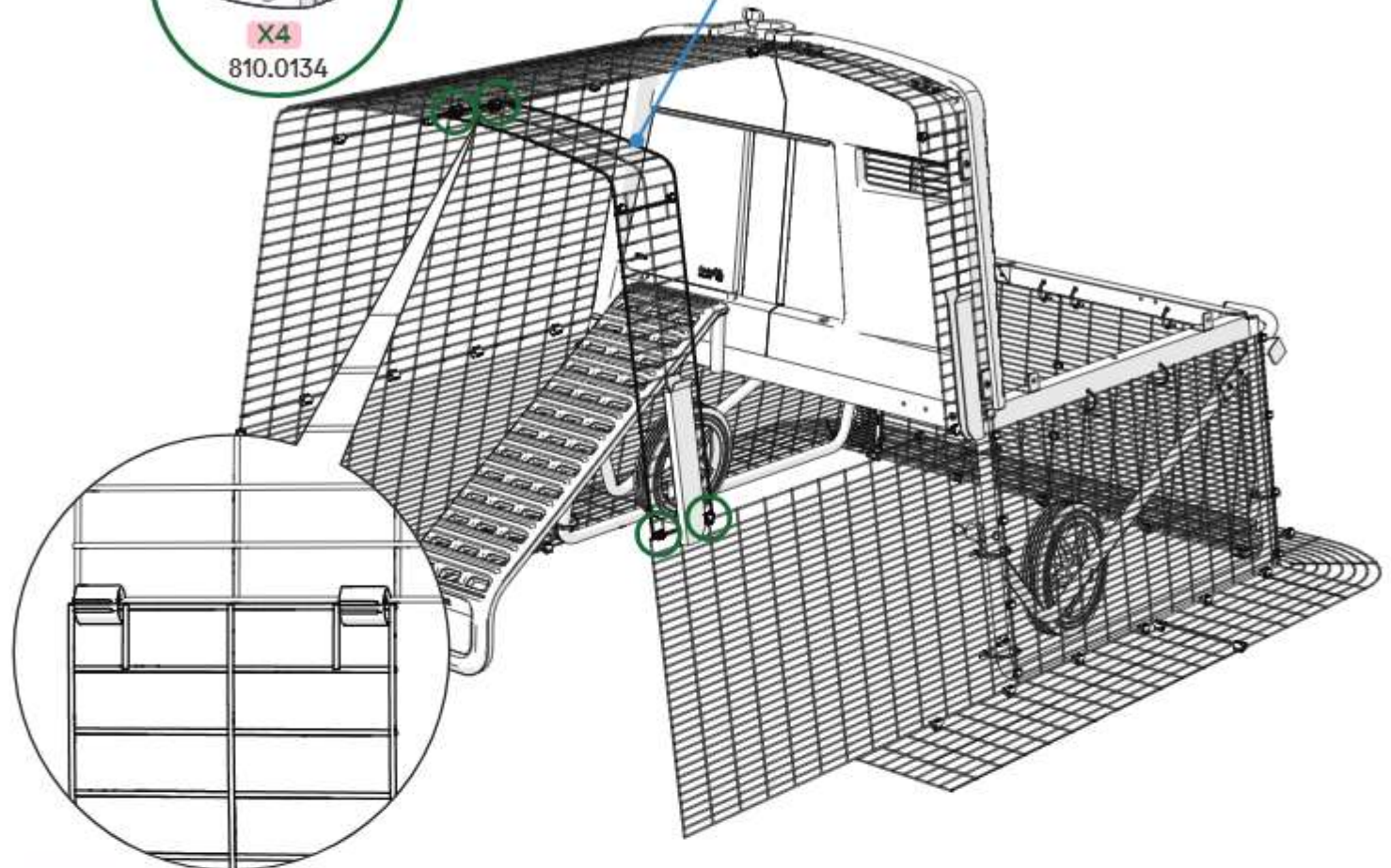




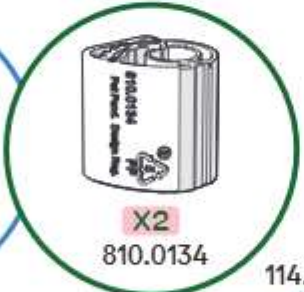
4



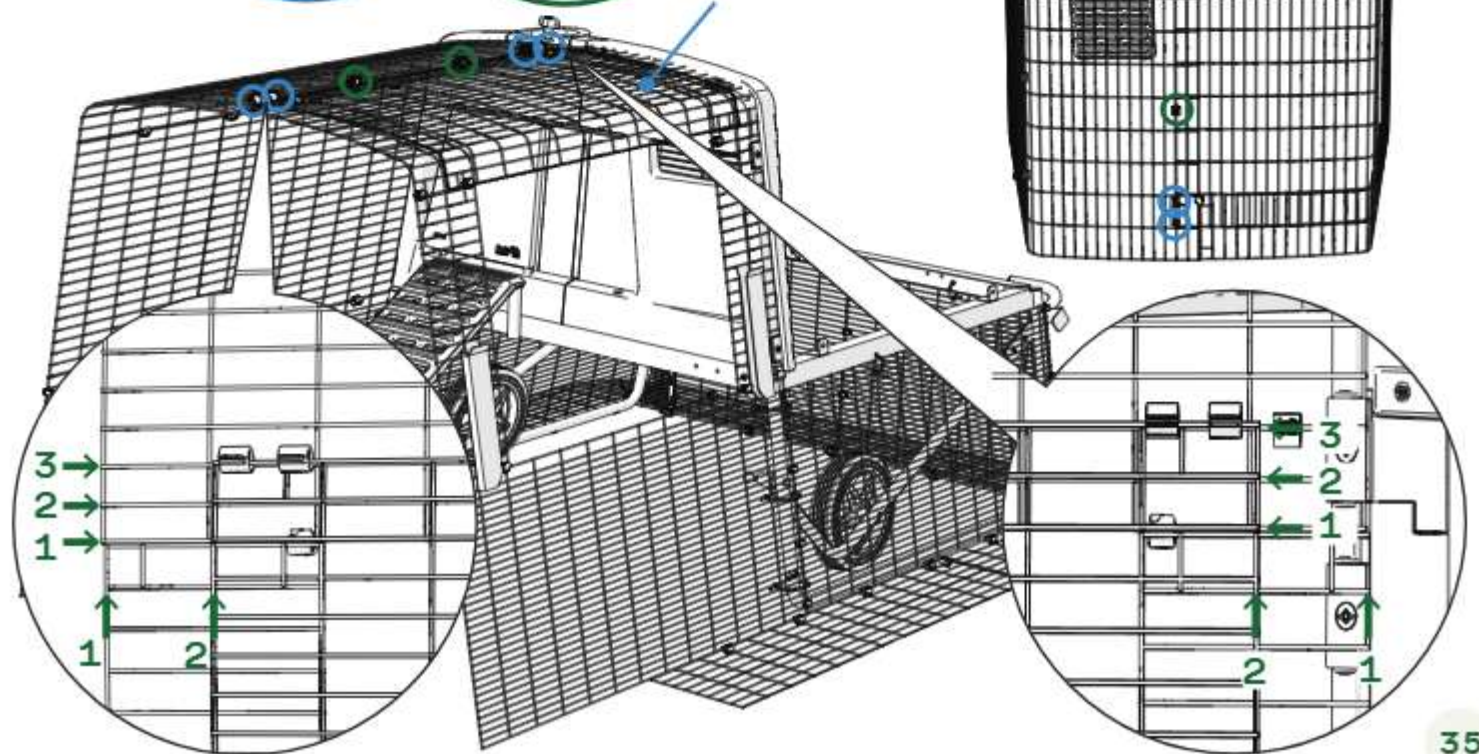
114.0077



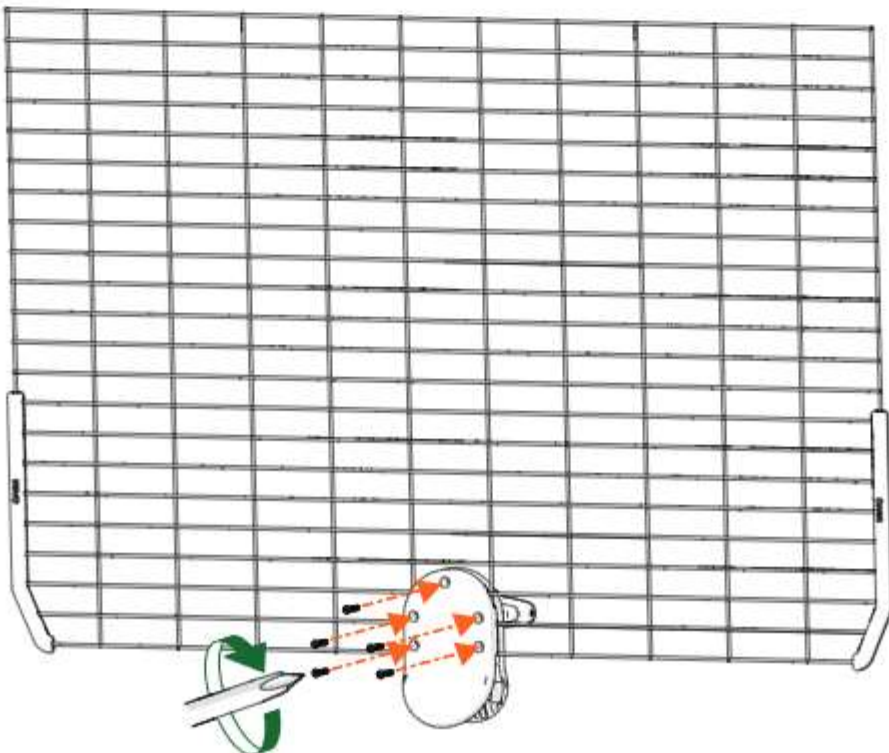
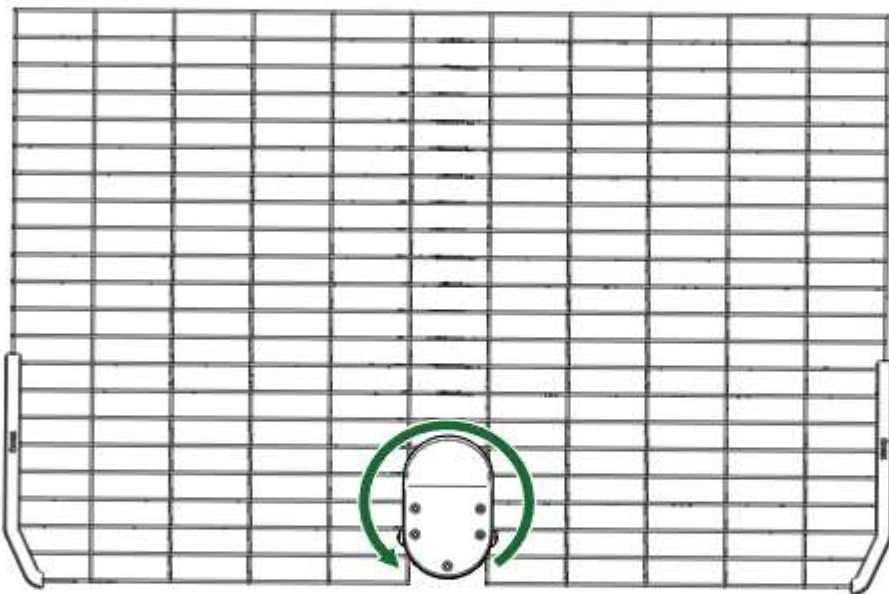
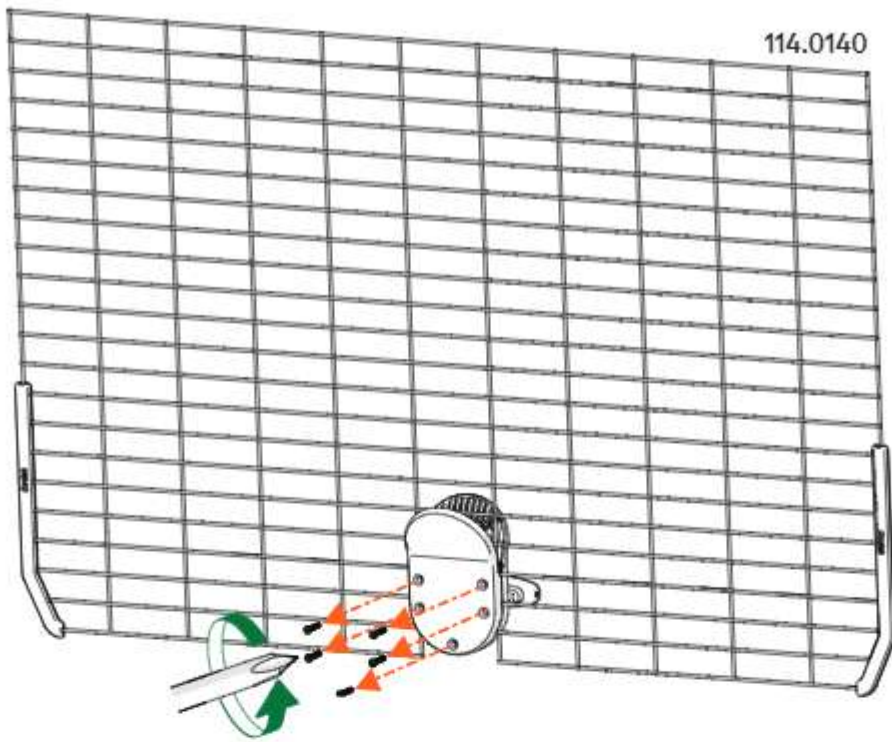
5



114.1235

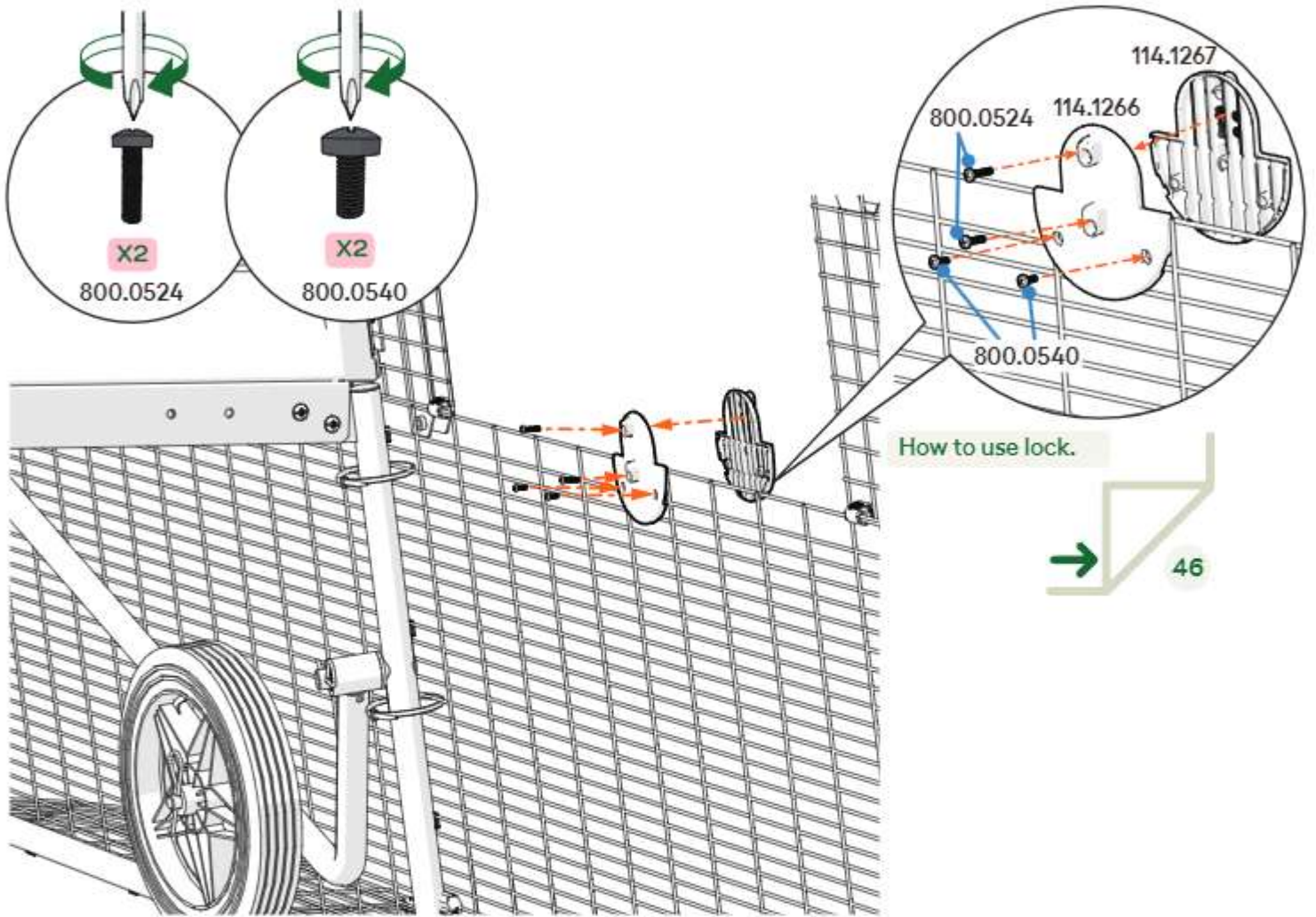




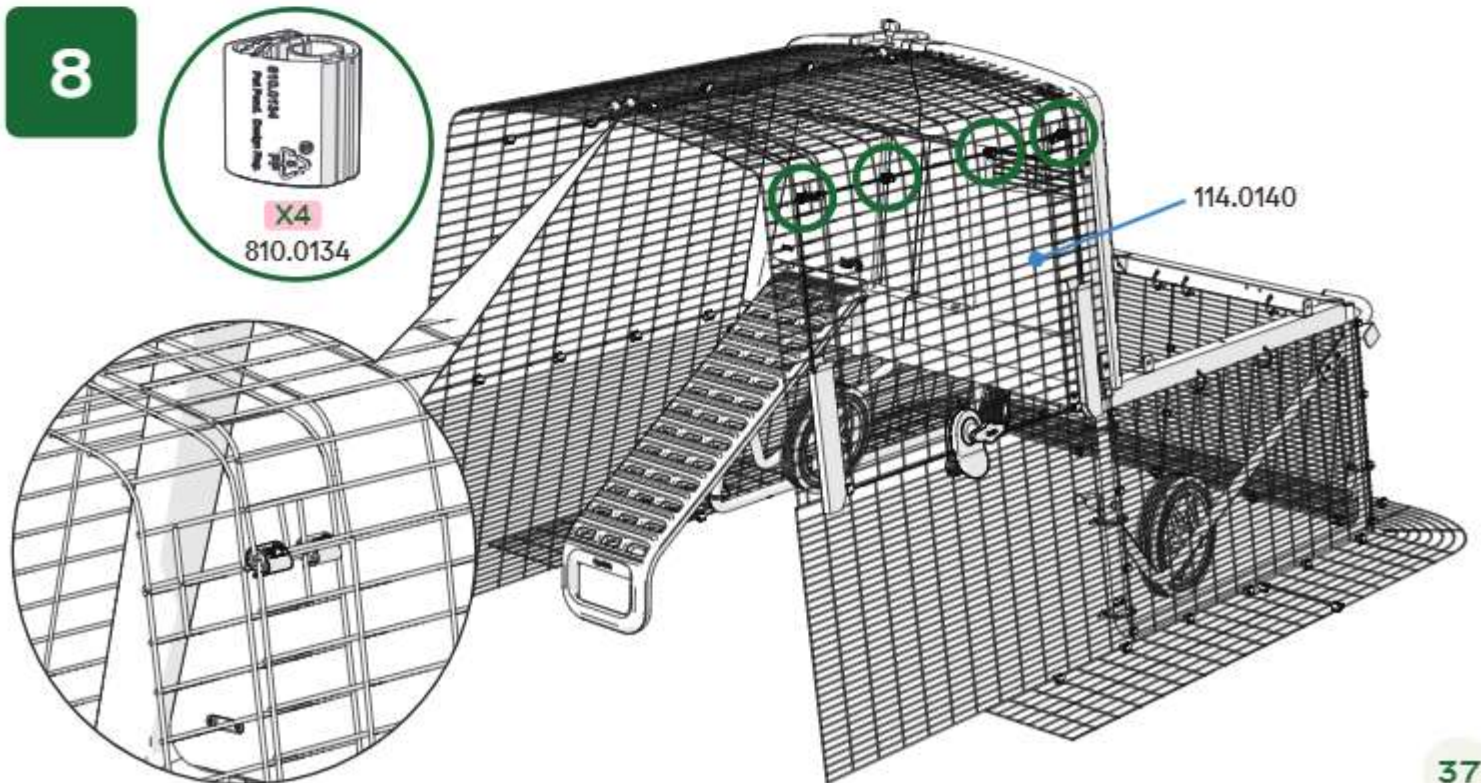


7

Assemble this part from inside your run.



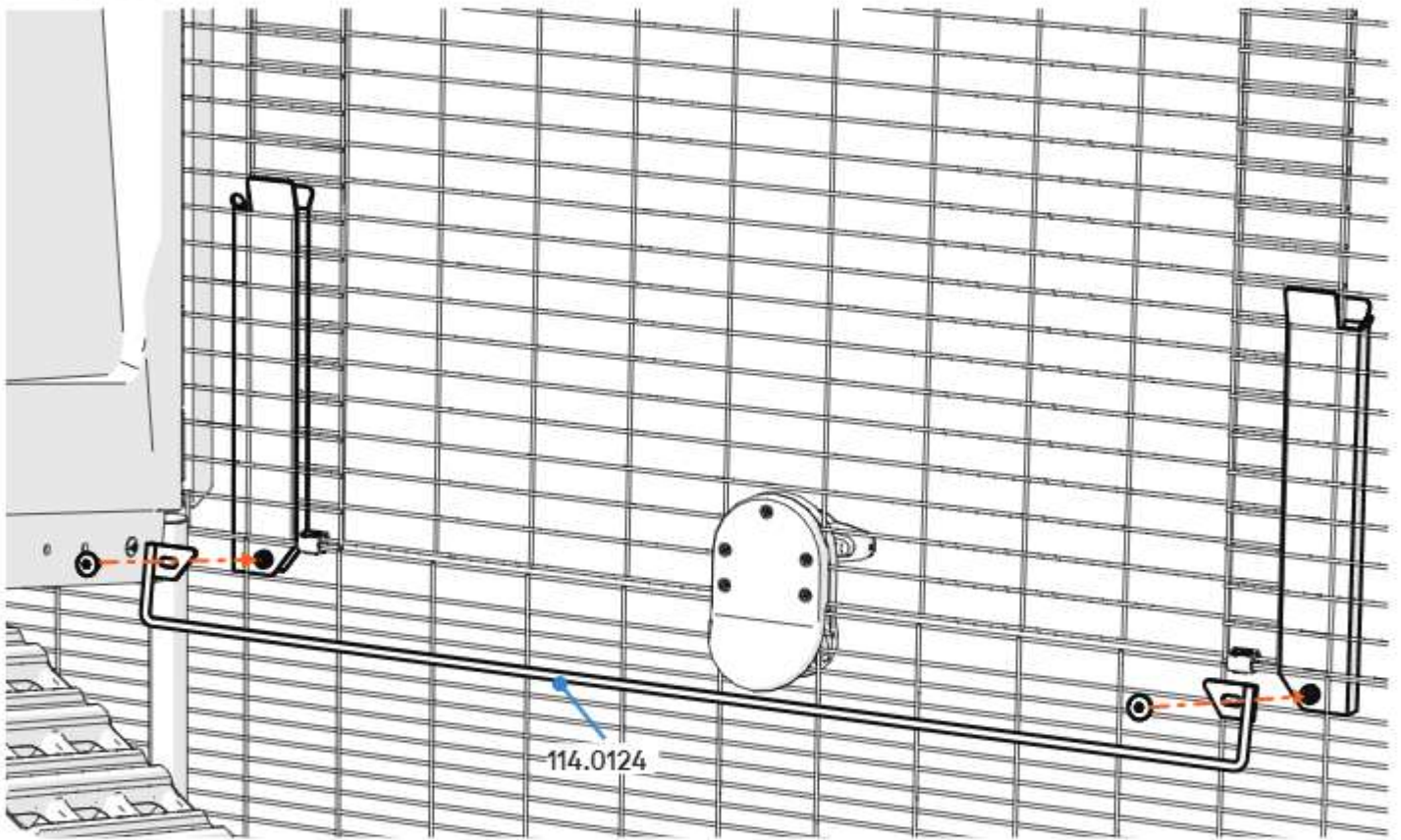
8





9

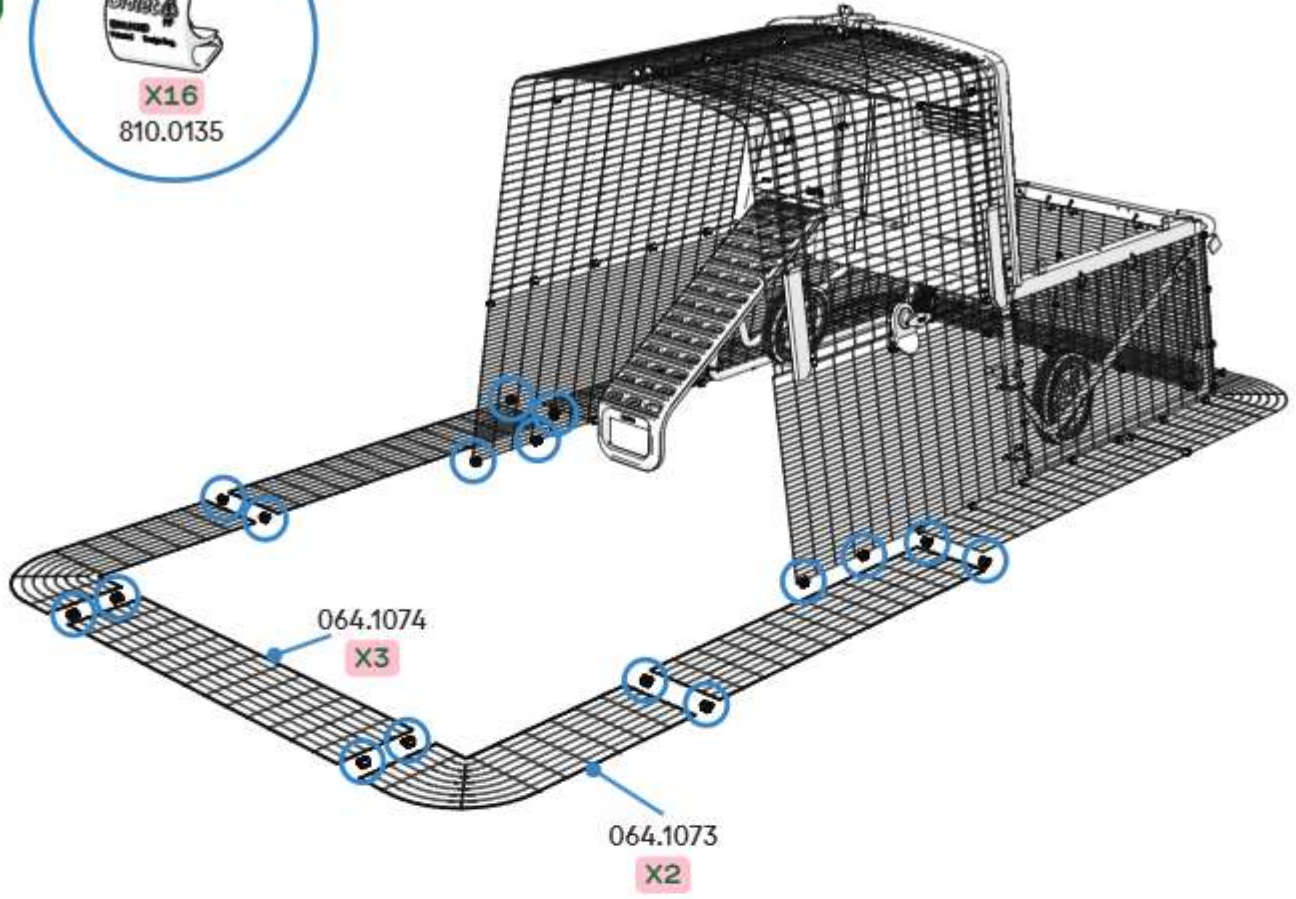
Assemble this part from inside your run.



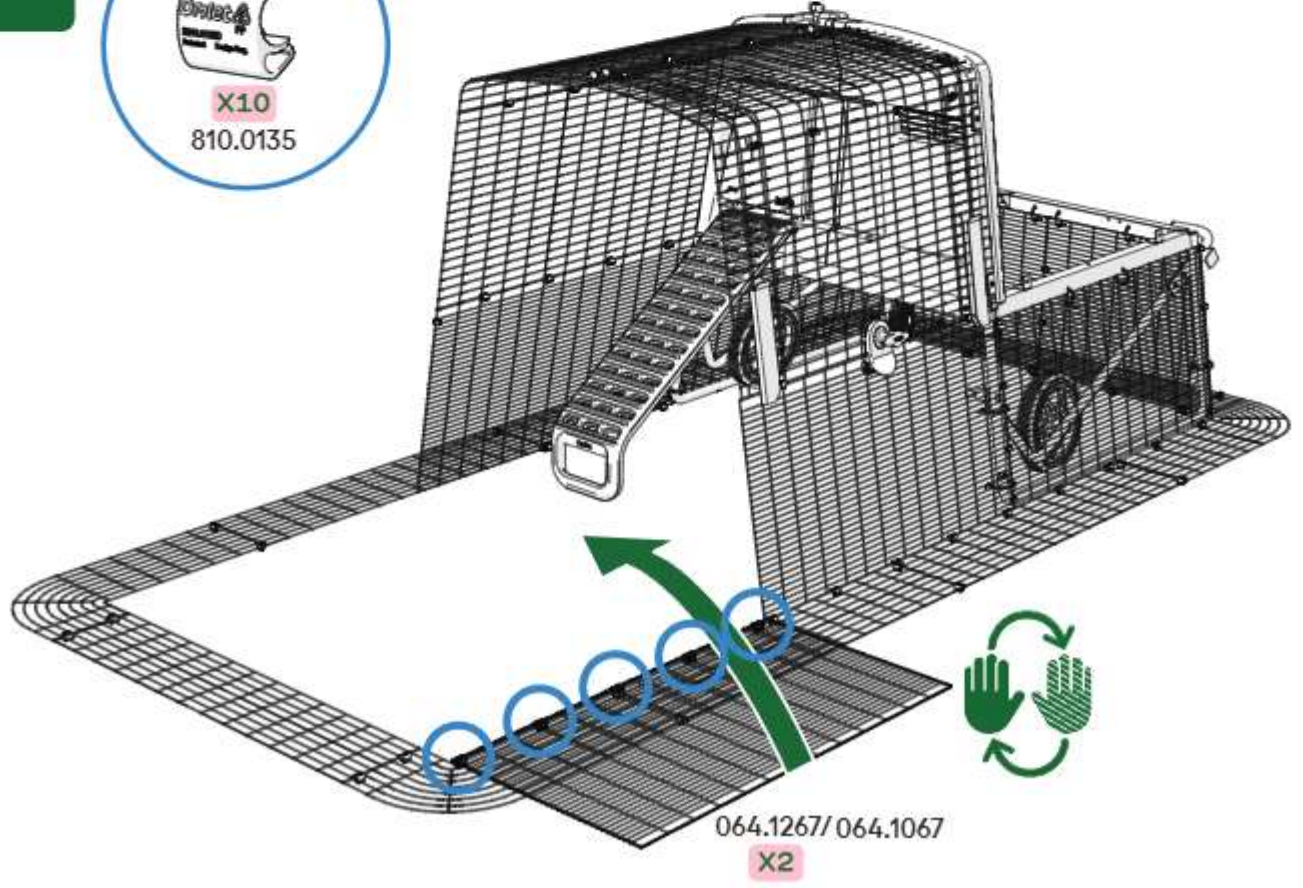
If you have a run longer than 2m/6ft, continue to follow these instructions. Otherwise, please return to your Eglu Cube Run instruction manual.



10

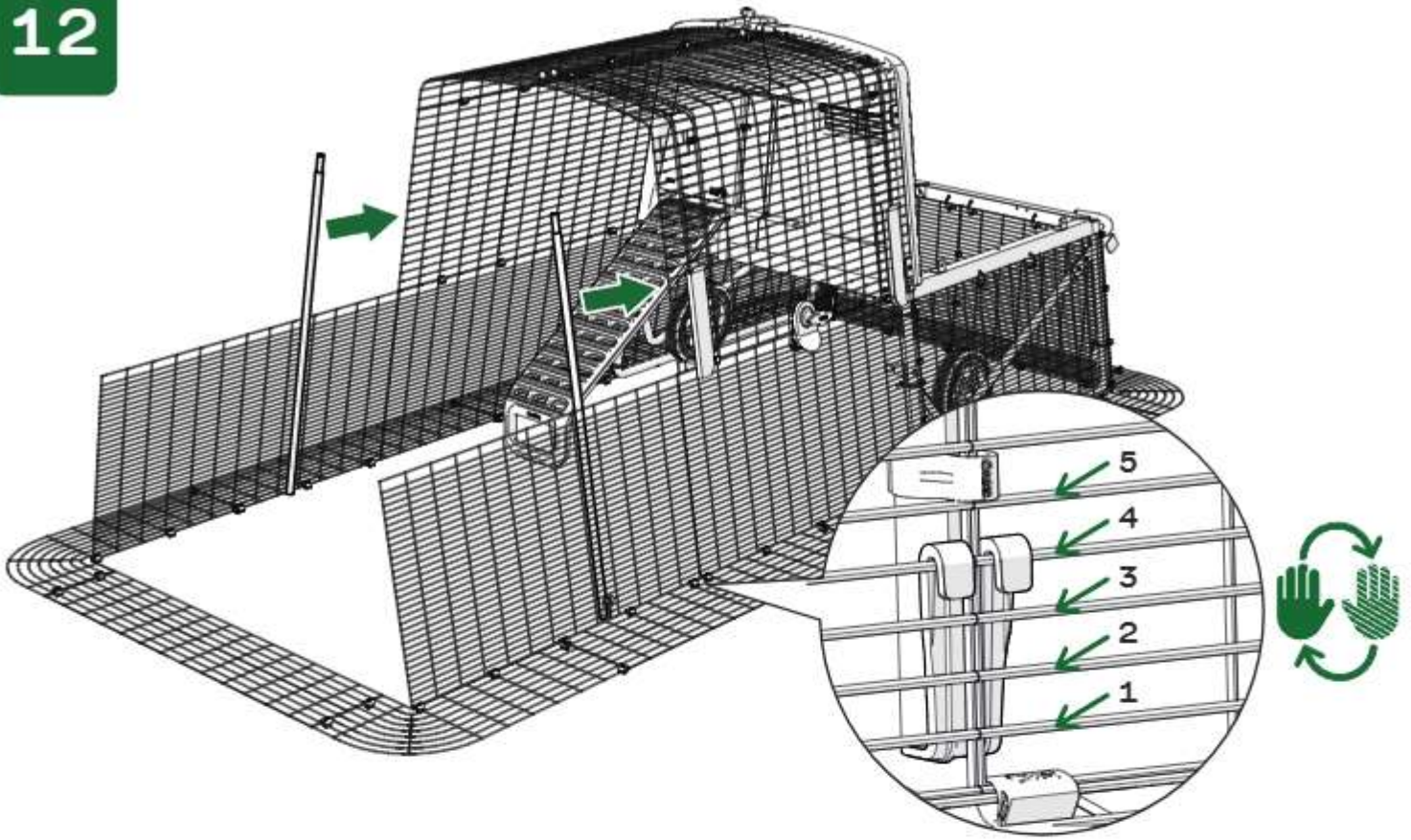


11

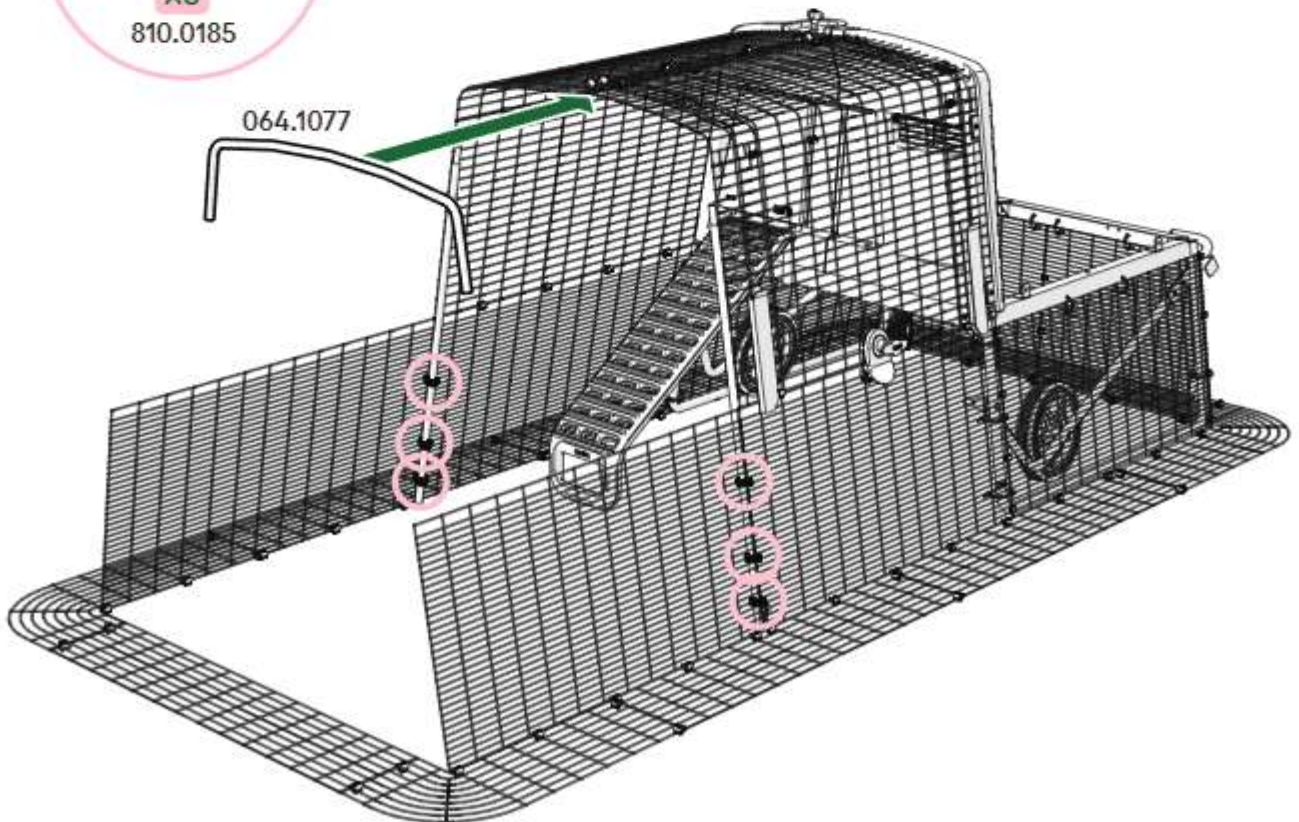




12

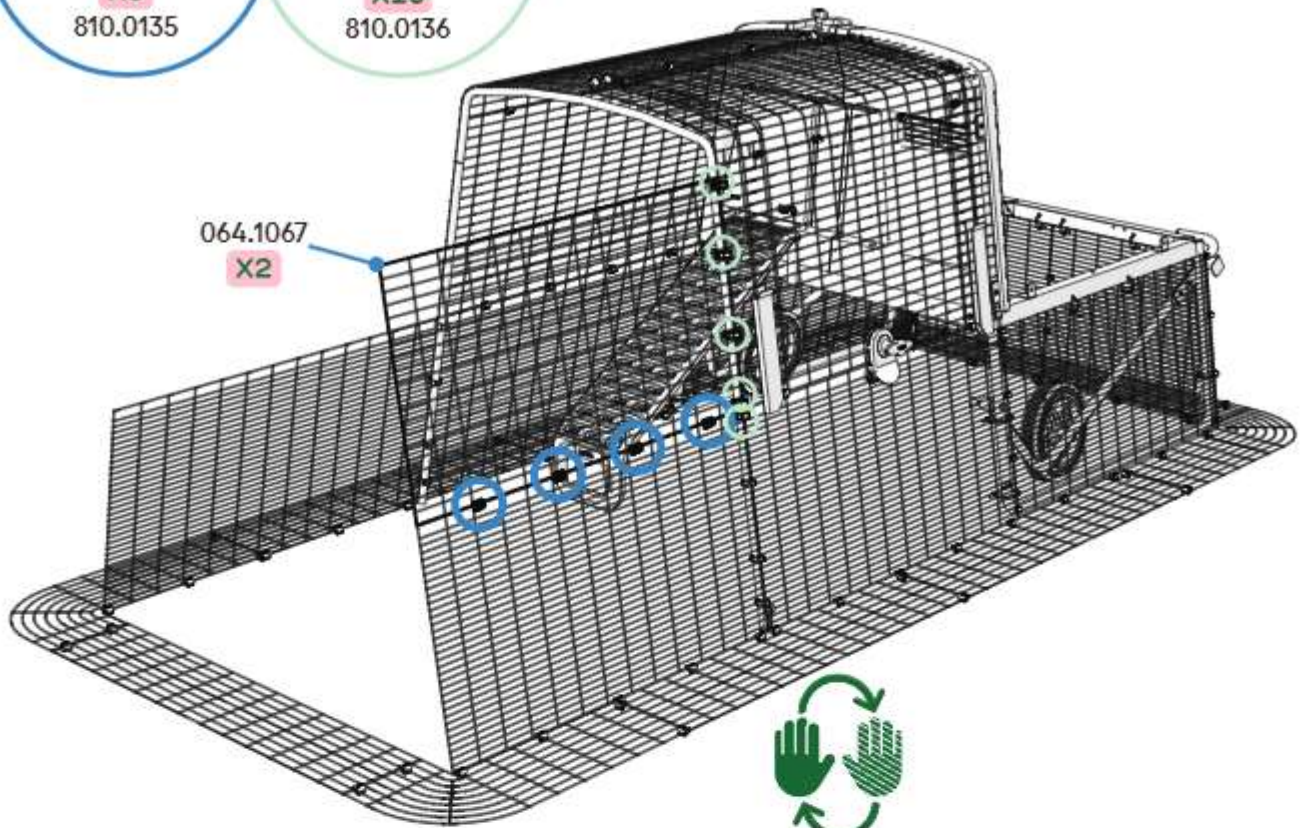


13

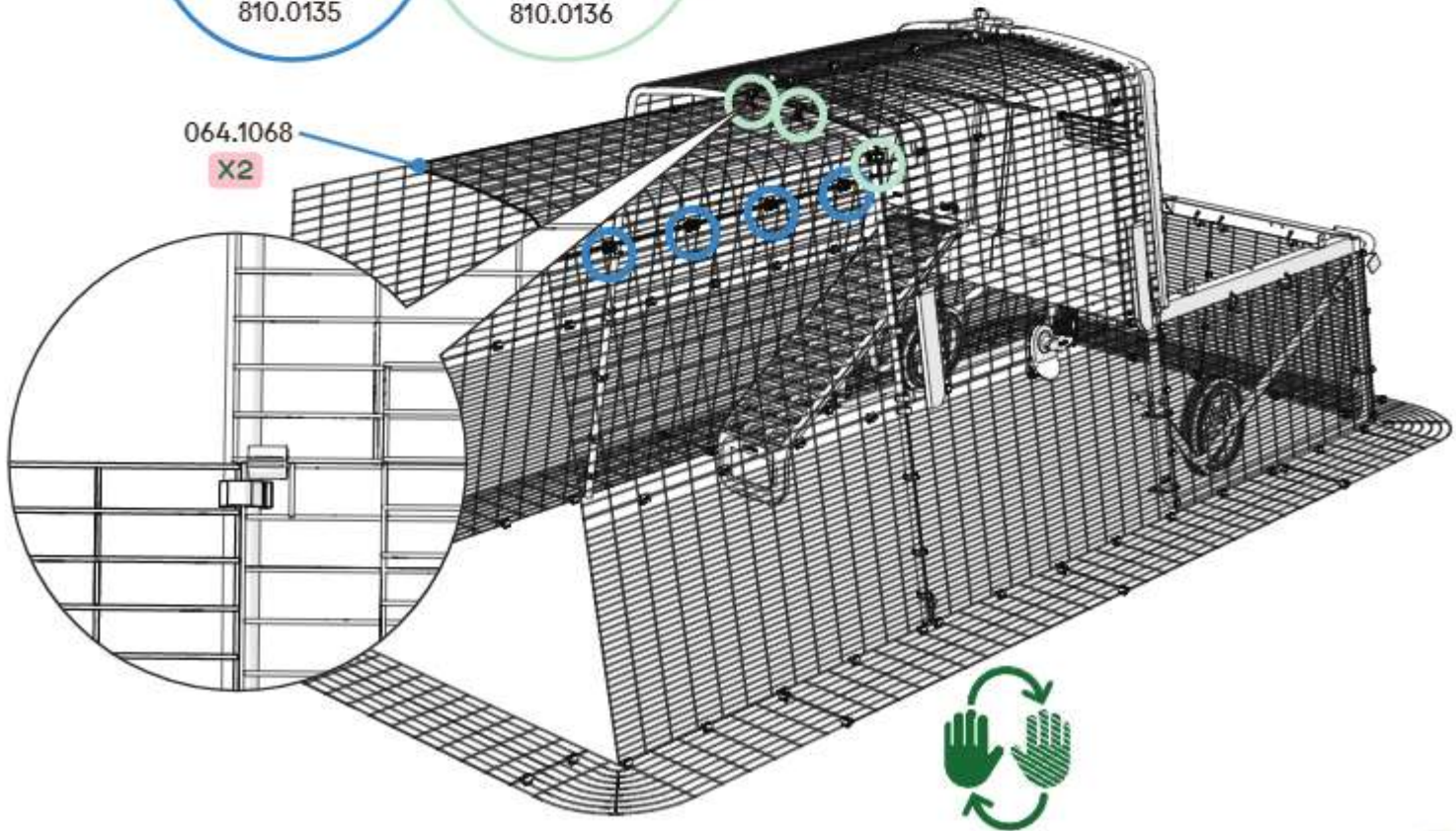
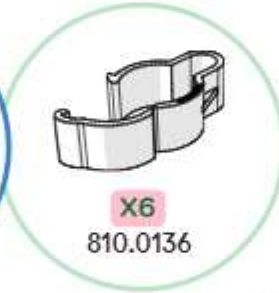




14

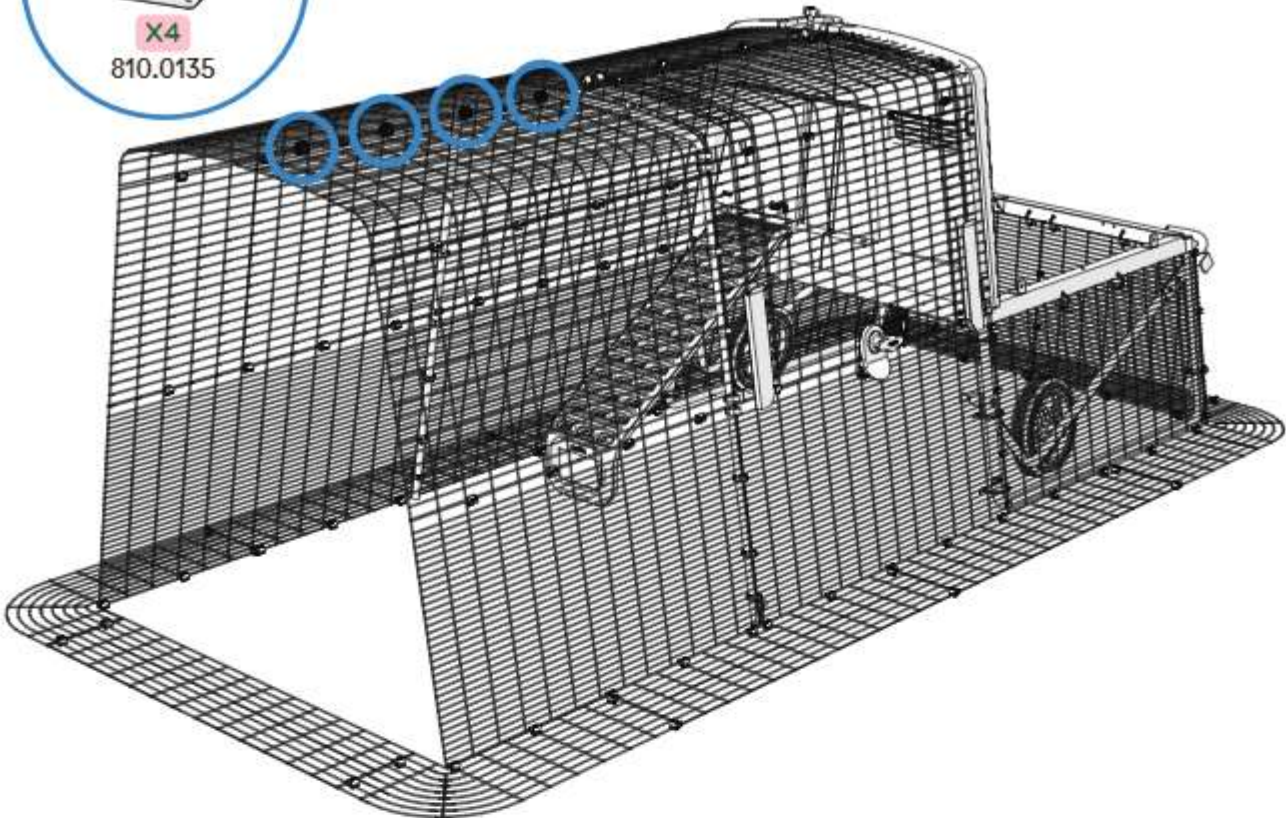


15

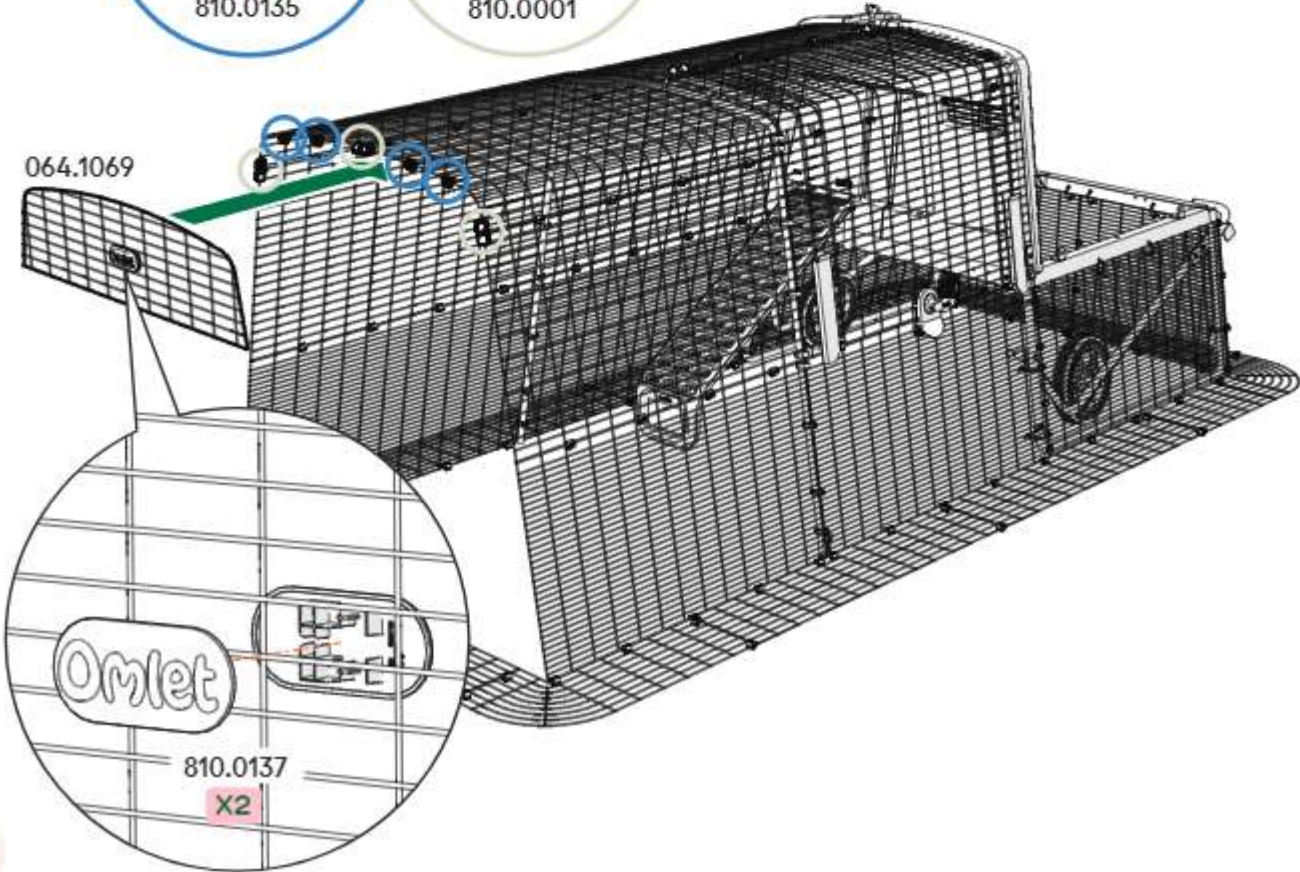




16

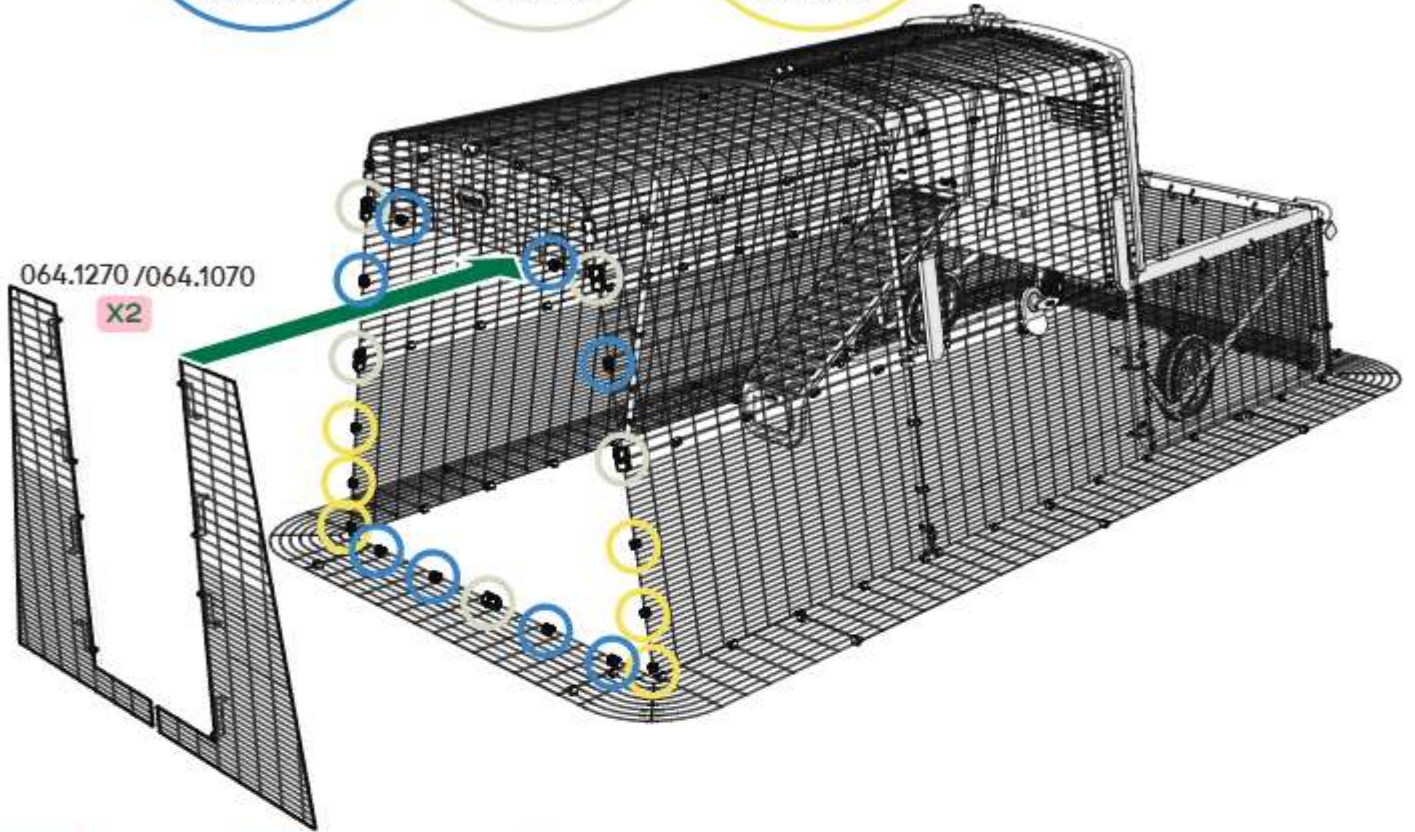


17

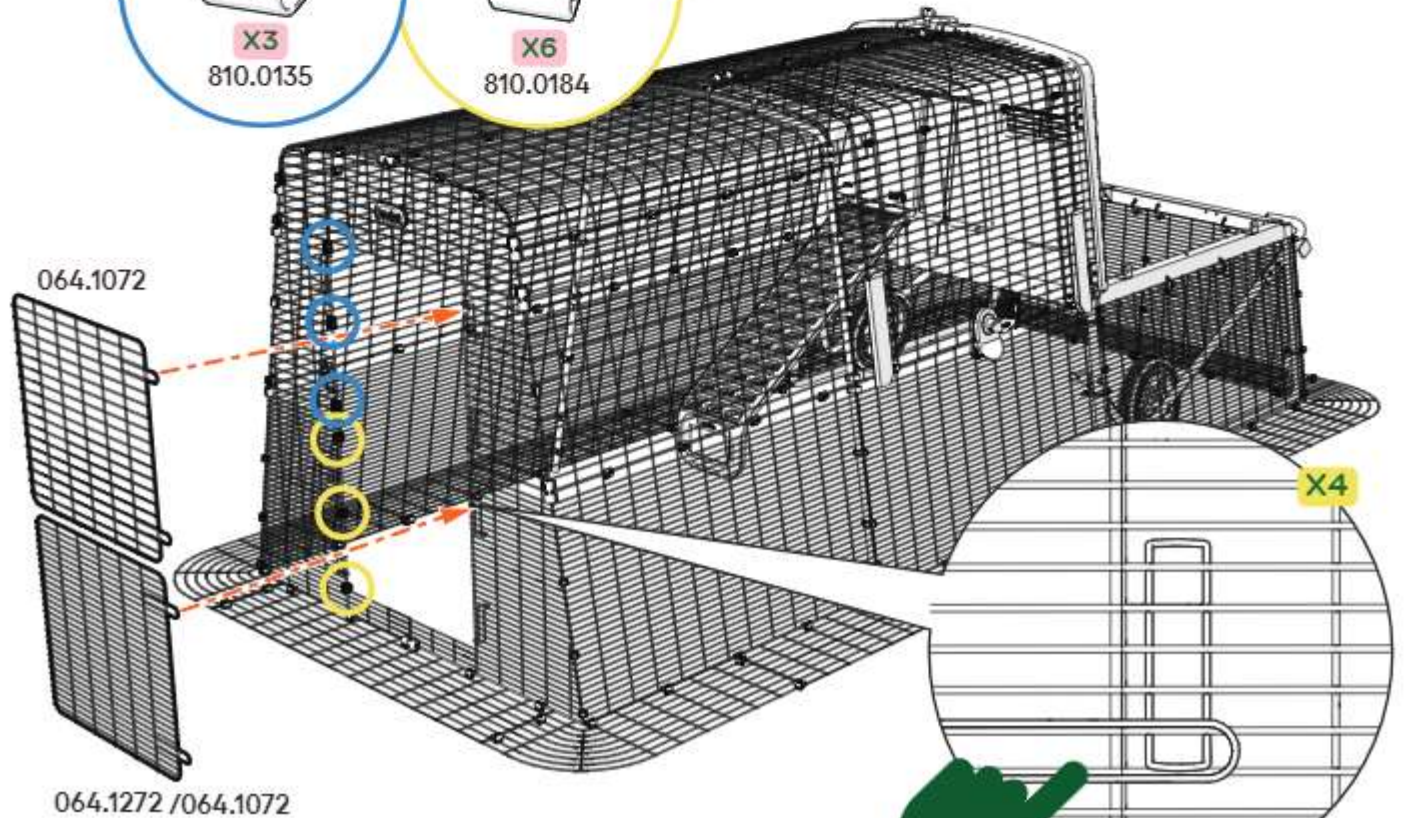




18



19

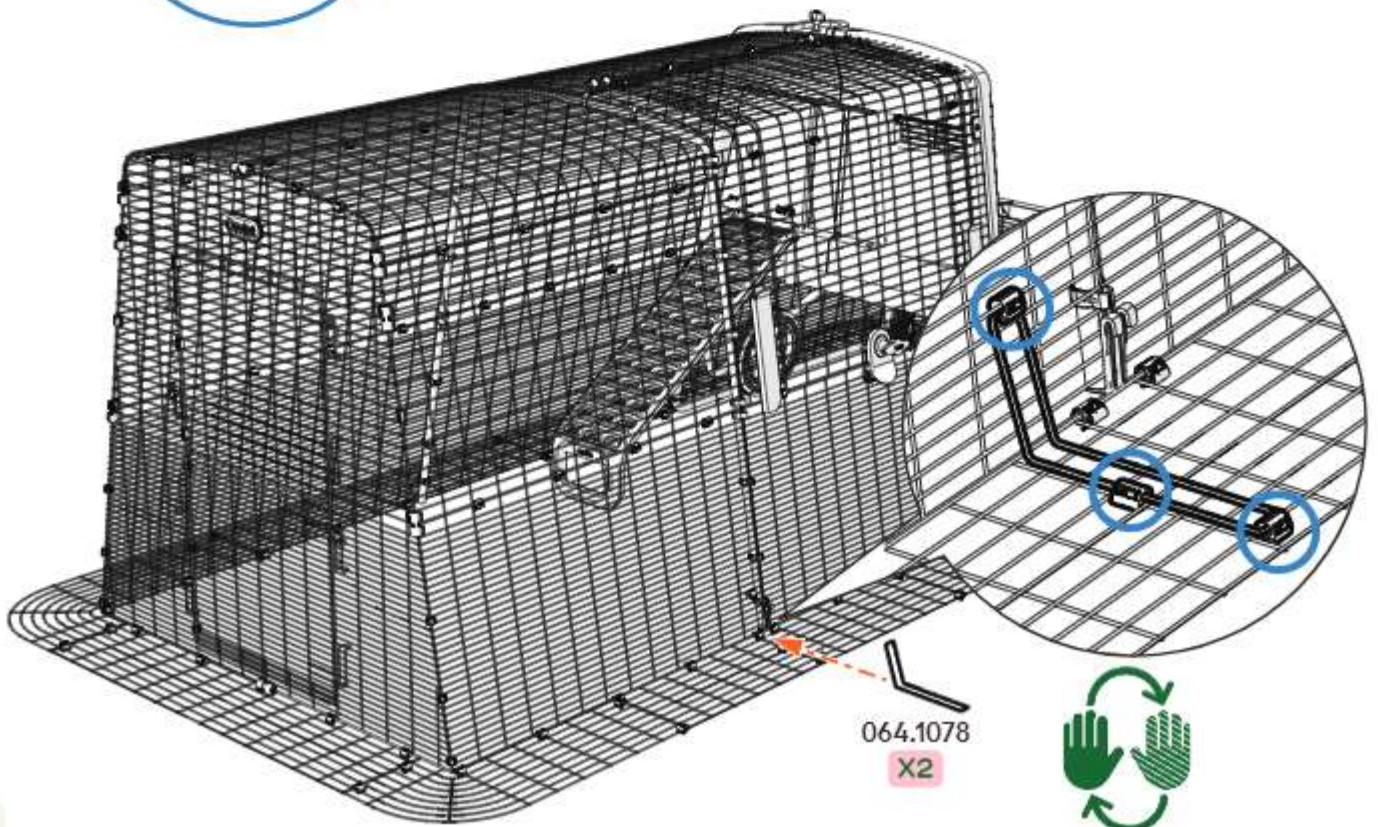




20



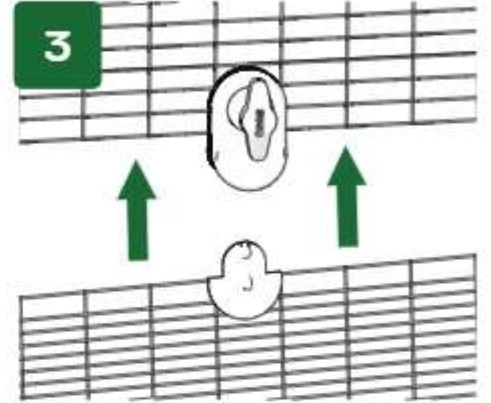
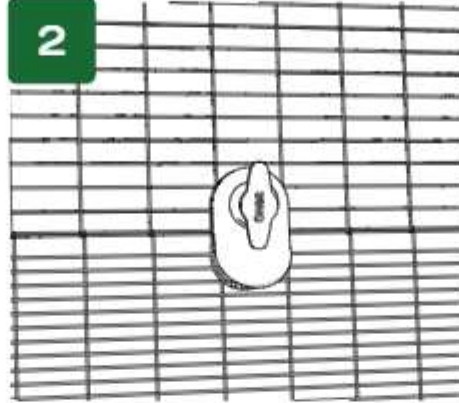
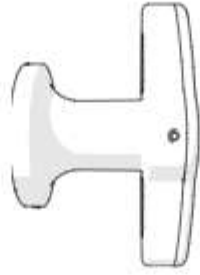
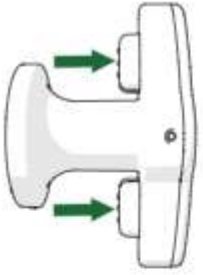
21



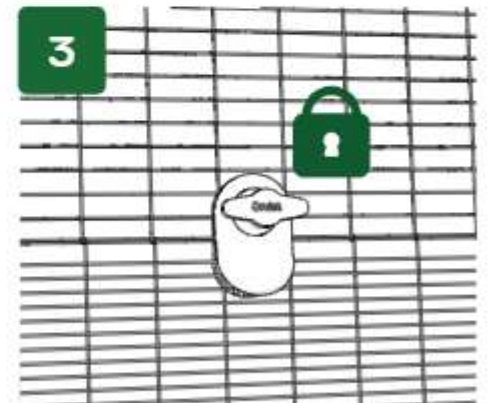
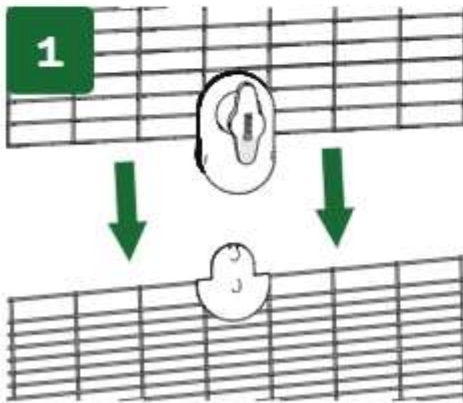
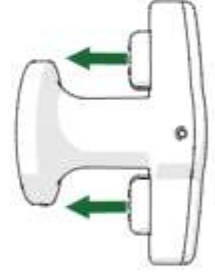
**That's it your Easy Access Run Door is complete! Now please refer to your Eglu Cube instruction manual to reassemble your coop.**



## How to unlock.



## How to lock.







# WE ASK WE INVENT.



**Omlet**



Please  
reuse &  
recycle.

Copyright Omlet Ltd. 2025  
Design Registered, Patent Pending  
Omlet is a Registered Trademark of Hebe Studio Ltd.  
820.2799B\_Instruction Manual Easy Access Run Door 26/03/2025



5 055358 860207